

Manual Wheelchair
Fauteuil roulant manuel
Silla de ruedas manual
Cadeira de Rodas Manual

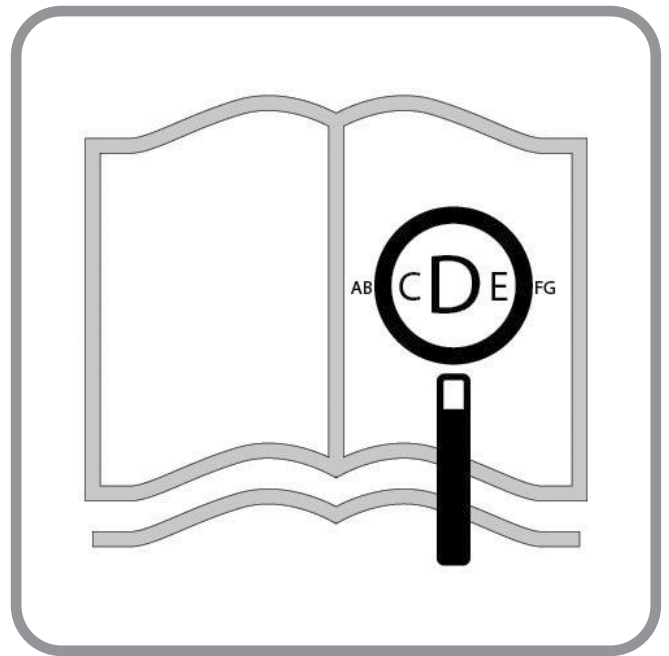


Breezy Style X
Breezy Style X Ultra

USER MANUAL
MANUEL D'UTILISATION
MANUAL DEL USUARIO
MANUAL DO UTILIZADOR

 **Breezy**[®]

P19180



Wheelchair Components

EN 

We at SUNRISE MEDICAL have been awarded the ISO-13485 certificate, which affirms the quality of our products at every stage, from R & D to production. This product complies with the standards set forth in EU and UK regulations. Options or accessories shown are available at extra cost.

Description du fauteuil

FR 

Nous, la société SUNRISE, sommes certifiés ISO 13485, ce qui garantit la qualité de nos produits à tous les stades, du développement jusqu'à la production. Ce produit est conforme aux exigences des réglementations de l'Union européenne et du Royaume-Uni. Les options ou accessoires illustrés sont disponibles en option.

Componentes de la silla

ES 

SUNRISE MEDICAL ha obtenido el certificado de calidad ISO 13485, el cual confirma la calidad de sus productos en todo momento, desde el inicio del proceso de desarrollo del producto, hasta su posterior producción. Este producto cumple las normas establecidas en las normativa de la UE y del Reino Unido. Los accesorios y equipamiento opcionales se encuentran disponibles con un coste adicional.

Componentes da Cadeira de Rodas

PT 

A SUNRISE MEDICAL recebeu o Certificado ISO 13485, que confirma a qualidade dos seus produtos em todas as fases desde a pesquisa e desenvolvimento até ao fabrico. Este produto está em conformidade com as normas definidas nas regulamentos da UE e do Reino Unido. As opções e acessórios estão disponíveis sem custo extra.





Wheelchairs:

1. Push handles
2. Backrest
3. Sideguard
4. Brakes
5. Frame
6. Footrest Hanger
7. Footrest Plate
8. Caster Housing
9. Caster Wheel
10. Folding Mechanism (X-Tubes)
11. Rear Wheel
12. Axle Plate
13. Backrest Receiver



Fauteuils roulants :

1. Poignées de poussée
2. Dossier
3. Accoudoir
4. Freins
5. Châssis
6. Potence du repose-pied
7. Plaque de repose-pieds
8. Logement des roulettes
9. Roue avant
10. Mécanisme pliant (croisillon)
11. Roue arrière
12. Plaque d'axe
13. Support du dossier



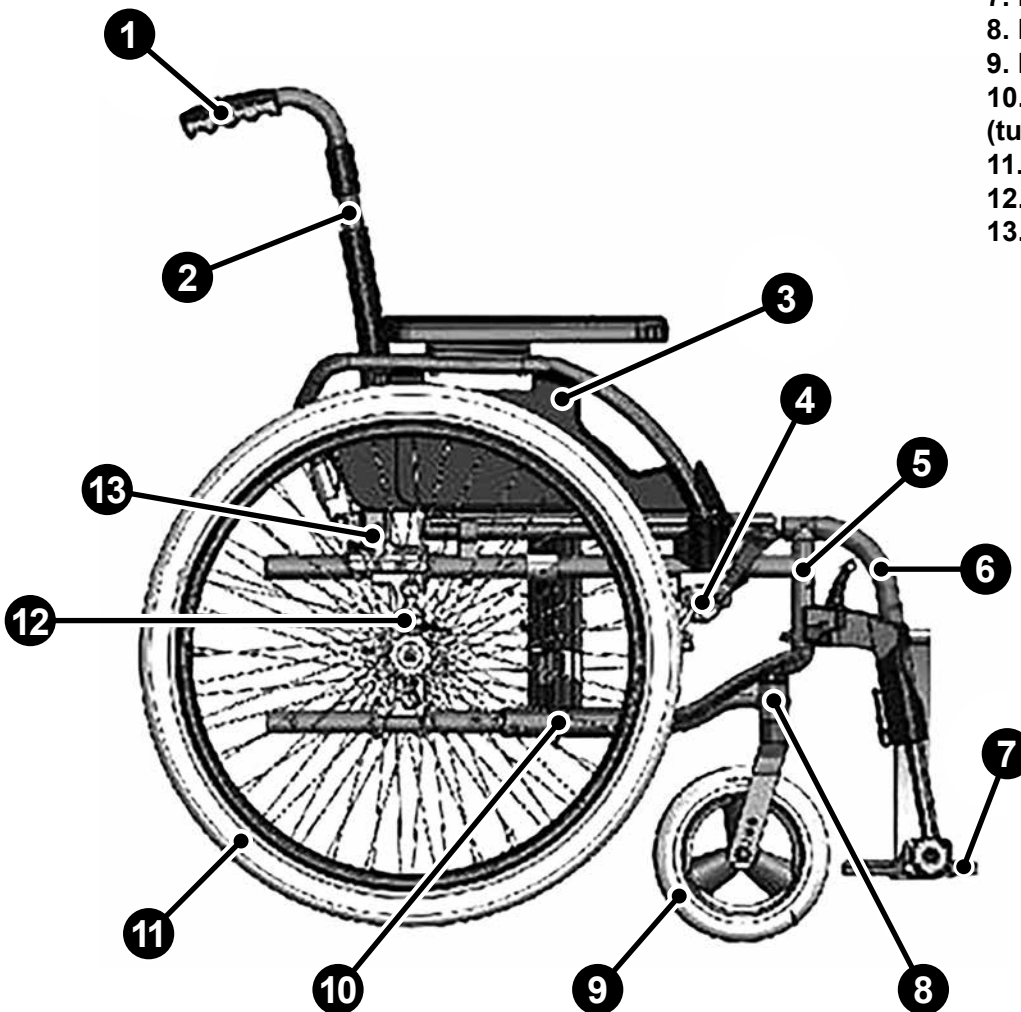
Sillas de ruedas manuales:

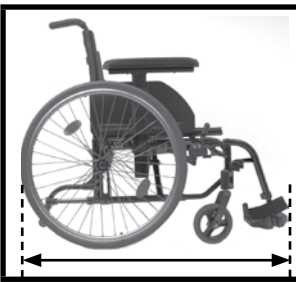
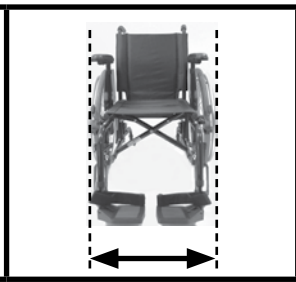
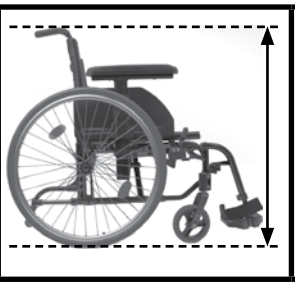
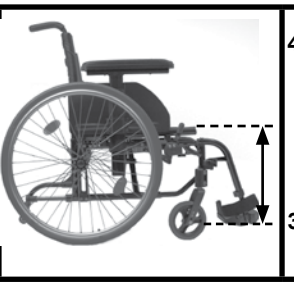

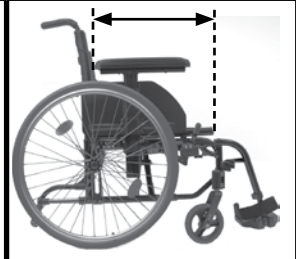
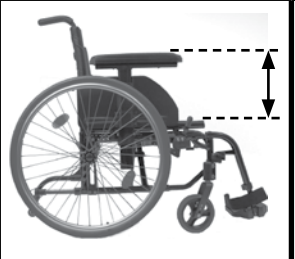

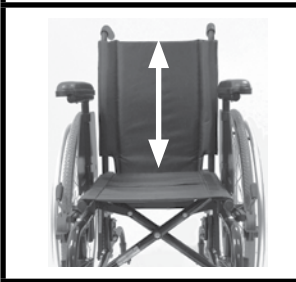
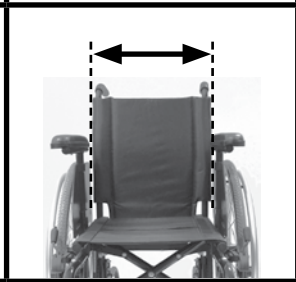
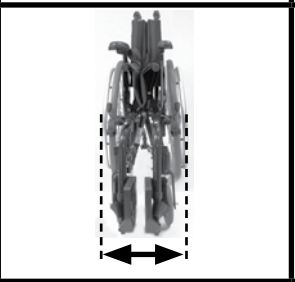
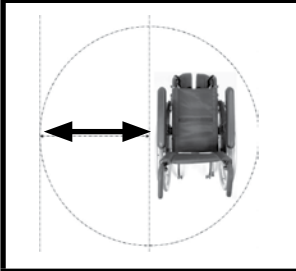
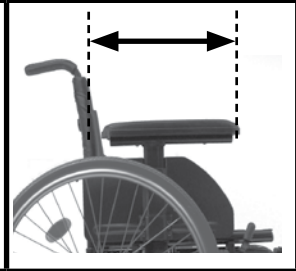
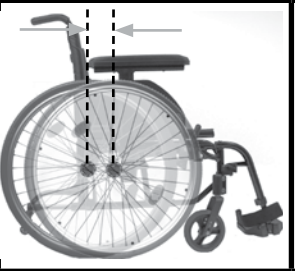



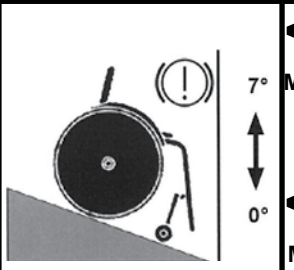
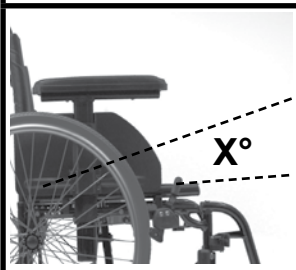
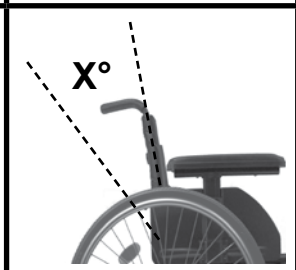
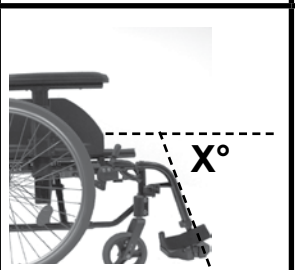
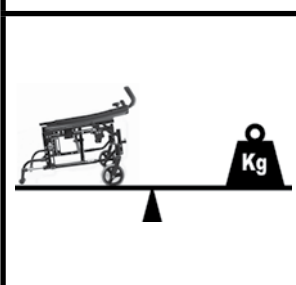
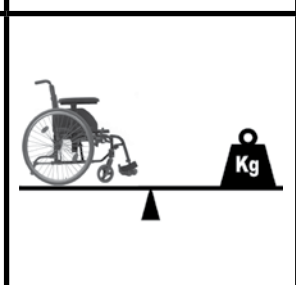

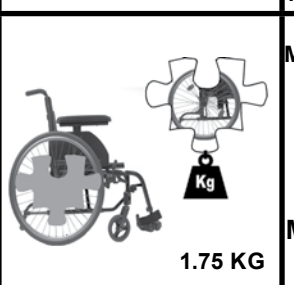
1. Empuñaduras
2. Respaldo
3. Protector lateral
4. Frenos
5. Armazón
6. Tubo del reposapiés
7. Plataforma reposapiés
8. Soporte de la horquilla
9. Rueda delantera
10. Mecanismo de plegado (crucetas)
11. Rueda trasera
12. Pletina del eje
13. Receptor del respaldo

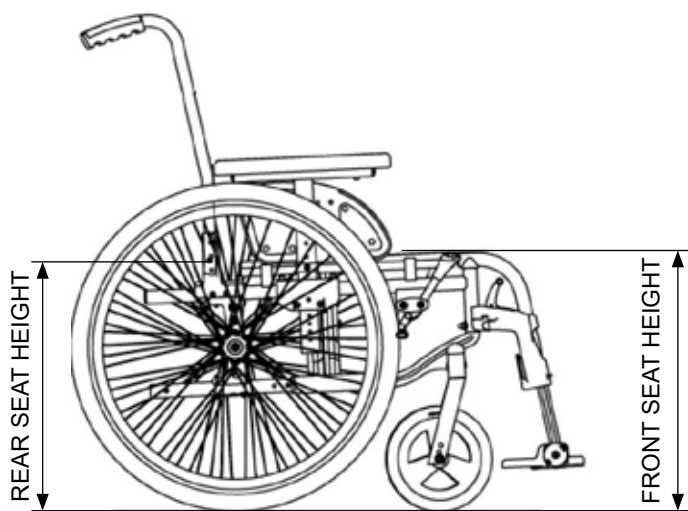


Cadeiras de Rodas:

1. Punhos
2. Encosto
3. Proteção lateral
4. Travões
5. Estrutura
6. Gancho do apoio para os pés
7. Plataforma de apoio para os pés
8. Encaixe do rodízio
9. Roda giratória dianteira
10. Mecanismo articulado (tubos em X)
11. Roda traseira
12. Placa do eixo
13. Recetor do encosto



	1190 ↑ 910 ↓		700 ↑ 525 ↓		990 Recl. ↑ 780 ↓		470 ↑ 340 ↓
	510 ↑ 385 ↓		460 ↑ 410 ↓		265 ↑ 175 ↓		600 ↑ 305 ↓
	480 Recl. ↑ 375 ↓		520 ↑ 380 ↓		260 ↑ ↓		
	980 ↑ 805 ↓		360 ↑ 250 ↓		50 ↑ -50 ↓		MAX mm ↑ MIN mm
	10° ↑ 0° ↓		10° ↑ 0° ↓		10° ↑ 0° ↓		7° ↑ 0° ↓ MAX MIN
	6° ↑ 0° ↓		X° ↑ 8° ↓		110° ↑ 100° ↓		MAX ↑ MIN
	8.2 ↑ ↓		16.2 Recl. ↑ 13.8 ↓		150 ↑ 125 ↓		1.75 Kg ↑ MIN kg ↓ MAX kg



FRONT SEAT HEIGHT: (mm)	385 / 410 / 435 / 460 / 485 / 510
REAR SEAT HEIGHT: (mm)	365 / 390 / 415 / 440 / 465 / 490

Note: The max difference between front and rear seat height is 40 mm

385	5"	1A	
410	5"	3A	
435	5"		1A
460	5"		3A
485	5"		3B
510	5"		
385	6"		
410	6"	2A	
435	6"	4A	
460	6"		2A
485	6"		2B
510	6"		4B
385	8"		-
410	8"		-
435	8"		-
460	8"	4A	
485	8"		2A
510	8"		2B

0° SEAT ANGLE (0°,2° / -0°.2)			
CASTOR POSITION NUMBER 1			
385 / 385	24"	1	
410 / 410	24"	2	
435 / 435	24"	3	
460 / 460	24"	4	
485 / 485	24"	5	
510 / 510	24"	6	
385 / 385	22"	2	
410 / 410	22"	3	
435 / 435	22"	4	
460 / 460	22"	5	
485 / 485	22"	6	
510 / 510	22"		
385 / 385	12"		
410 / 410	12"		1
435 / 435	12"		2
460 / 460	12"		3
485 / 485	12"		4
510 / 510	12"		

3° SEAT ANGLE (2°,2° / 3°,4)			
CASTOR POSITION NUMBER 3			
385 / 365	24"		
410 / 390	24"	1	
435 / 415	24"	2	
460 / 445	24"	3	
485 / 465	24"	4	
510 / 490	24"	5	
385 / 365	22"	1	
410 / 390	22"	2	
435 / 415	22"	3	
460 / 445	22"	4	
485 / 465	22"	5	
510 / 490	22"	6	
385 / 365	12"	6	
410 / 390	12"		
435 / 415	12"		1
460 / 445	12"		2
485 / 465	12"		3
510 / 490	12"		4

6° SEAT ANGLE (5°,4° / 6°,8)			
CASTOR POSITION NUMBER 4			
385 / 345	24"		
410 / 370	24"		
435 / 395	24"	1	
460 / 420	24"	2	
485 / 445	24"	3	
510 / 470	24"	4	
385 / 385	22"		
410 / 370	22"	1	
435 / 395	22"	2	
460 / 420	22"	3	
485 / 445	22"	4	
510 / 470	22"	5	
385 / 345	12"	6	
410 / 370	12"	6	
435 / 395	12"		
460 / 420	12"		1
485 / 445	12"		2
510 / 470	12"		3

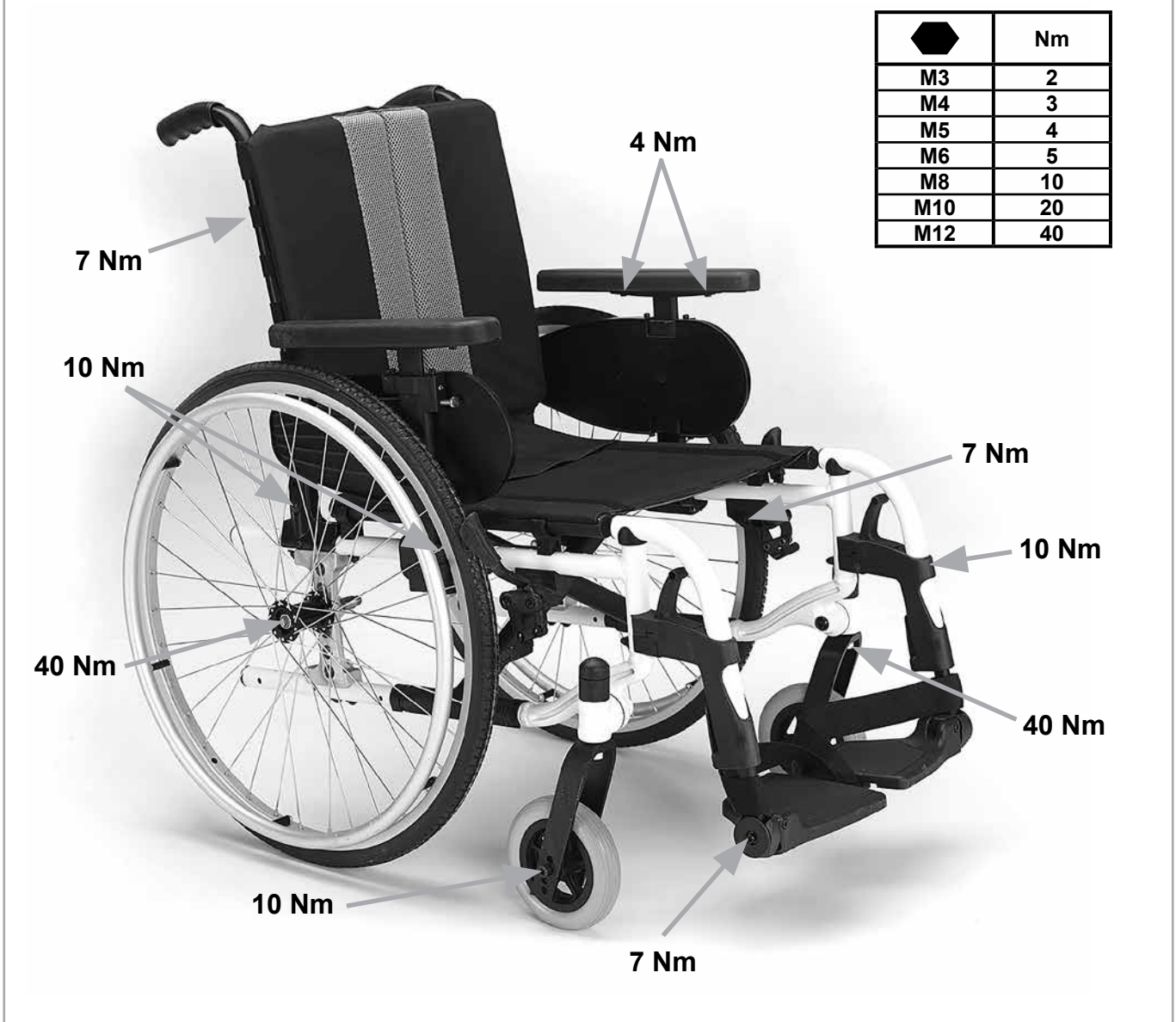
Torque

EN



Unless otherwise advised, the torque for M6 screws is 7 Nm.
Please refer to page 7 for details

Fig. 25











	Nm
M3	2
M4	3
M5	4
M6	5
M8	10
M10	20
M12	40

Table of Contents

Torque 6
Definitions 7
Foreword 8
Use 8
Area of application 8
General safety notes and driving limits 9
Warranty 11
Transportability 12
Handling 14
Transporting the Wheelchair 14
Options – Seat depth 14
Options - Brakes 15
Options - Footplates 15
Options - Castors 16
Options - Castor Position 16
Options - Horizontal Axle Position 17
Options - Backrest 17
Options – sideguard 18
Options - Anti-Tips 19
Pelvic Restraint Belt 19
Options - Crutch holder 20
Options - Therapy Table 20
Options – One Hand Operation 20
Options - Stabilising Bar 21
Options – Headrests 21
Options – Transit wheels 21
Tyres and Mounting 21
Name Plate 22
Maintenance and care 22
Trouble Shooting 23
Disposal / Recycling of Materials 23
Technical Data 23

Definitions

3.1 Definitions of words used in this manual

Word	Definition
 DANGER!	Advice to the user of Potential Risk of serious injury or death if the advice is not followed
 WARNING!	Advice to the user of a potential risk of injury if the advice is not followed
 CAUTION!	Advice to user that potential damage to equipment may occur if the advice is not followed
NOTE:	General advice or best practice
	Reference To Additional Documentation
	Solid
	Soft tyres
	Does not fit

NOTE:

The wheelchairs shown and described in this user guide may not correspond in every detail exactly to your own model. However, all instructions are completely relevant, regardless of possible detail differences.

The manufacturer reserves the right to alter without notice any weights, measurements or other technical data shown in this manual. All figures, measurements and capacities shown in this manual are approximate, and do not constitute specifications.

NOTE:

Please keep a note of your local service agent's address and telephone number in the space provided.

In the event of a breakdown, contact them and try to give all relevant details so they can help you quickly.

Dealer signature and stamp

Foreword

Dear Customer,

We are very pleased that you have decided in favour of a high-quality SUNRISE MEDICAL product.

This Owner's manual will provide numerous tips and ideas so that your new wheelchair can become a trustworthy and reliable partner in your life.

For Sunrise Medical, it is very important that we have a good relationship with our customers. We like to keep you up-to-date about new and current developments at our company. Keeping close to our customers means: fast service, as little red tape as possible, working closely with customers. When you need replacement parts or accessories, or if you just have a question about your wheelchair – we are there for you.

We want you to be satisfied with our products and service. At Sunrise Medical we are constantly working to develop our products further. For this reason, changes can occur in our palette of products with regard to form, technology, and equipment. Consequently, no claims can be construed from the data or pictures contained in this Owner's manual.

The management system of SUNRISE MEDICAL is certified to ISO 13485 and ISO 14001.



As the manufacturer, SUNRISE MEDICAL, declares that this product conforms to the UK Medical Devices Regulation 2002 No. 618.



As the manufacturer, SUNRISE MEDICAL, declares that this product conforms to the Medical Device Regulation (2017/745).

NOTE:

General user advice.

Not following these instructions may result in physical injury, damage to the product or damage to the environment!

Notice to the user and/or patient: Any serious incident that has occurred in relation to the device should be reported to the manufacturer and the competent authority of the Member State in which the user and/or patient is established.

B4Me special adaptations

Sunrise Medical strongly recommends that in order to ensure that your B4Me product operates, and performs as intended by the manufacturer; all the user information supplied with your B4Me product is read and understood, before the product is first used.

Sunrise Medical also recommends that the user information is not discarded after reading it, but it is kept safely stored for future reference.

Medical Device Combinations

It may be possible to combine this Medical device with one or more other Medical Device or other product. Information on which combinations are possible can be found at www.Sunrisemedical.co.uk. All combinations listed have been validated to meet the General Safety and Performance Requirements, Annex I Nr. 14.1 of the Medical Device Regulation 2017/745.

Guidance on the combination, such as mounting, can be found at www.SunriseMedical.co.uk

Please contact your local, authorised SUNRISE MEDICAL dealer if you have any questions regarding the use, maintenance or safety of your wheelchair.

In case there is no authorised dealer in your area, or you have any questions about product safety and product recalls, contact Sunrise Medical either in writing or by telephone or find the information on www.sunrisemedical.co.uk.

Sunrise Medical

Thorns Road

Brierley Hill

West Midlands

DY5 2LD

Phone: 0845 605 66 88

Fax: 0845 605 66 89

www.SunriseMedical.co.uk



DO NOT USE YOUR WHEELCHAIR UNTIL THIS MANUAL HAS BEEN READ AND UNDERSTOOD.

Use

Wheelchairs are exclusively for users who are unable to walk or have limited mobility, for their own personal use, when self-propelling and being moved by a third party (pushed by attendant), within the home and outdoors.

The maximum weight limit (includes the user and any weight of accessories fitted to the wheelchair) is marked on the serial number label, which is affixed to the crossbar or stabiliser bar below the seat.

Warranty can only be taken on if the product is used under the specified conditions and for the intended purposes.

The intended lifetime of this product is 5 years.

Please DO NOT use or fit any 3rd party components to the wheelchair unless they are officially approved by Sunrise Medical.

DANGER!

- Do not fit any unauthorized electronic equipment.
- Do not fit powered or mechanically operated mobility devices, drives, hand-bike or any other device that changes the intended use or the structure of the wheelchair.
- Any combination with other medical devices requires approval directly from Sunrise Medical.

Area of application

Indications

The varieties of fitting variants, as well as the modular design, mean that it can be used by those who cannot walk or have limited mobility because of:

- Paralysis
- Loss of extremity (leg amputation)
- Extremity defect deformity
- Joint contractures/joint injuries
- Illnesses such as heart and circulation deficiencies, disturbance of equilibrium or cachexia, Neurological disease patterns, Muscle dystrophy, Hemiplegia as well as for elderly people who still have strength in the upper body.

Contraindications

The wheelchair shall not be used without attendant in case of:

- Perception disorder
- Imbalance
- Loss of both arms, if not supported by a caregiver
- Joint contracture or joint damage on both arms
- Seating disability

NOTE:

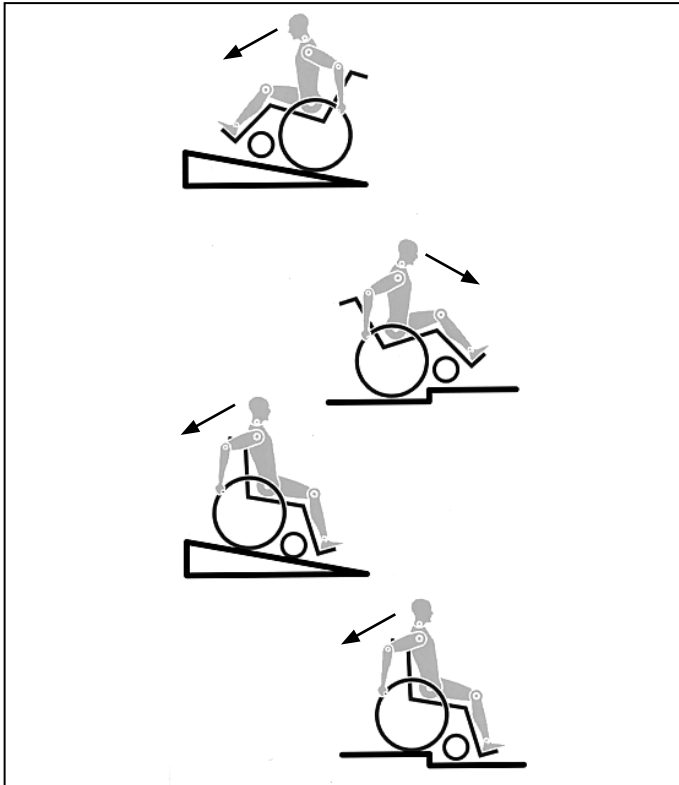
Please note that driving a wheelchair requires sufficient cognitive, physical and visual skills. The user must be able to assess the effects of actions during the operation of the wheelchair and, if necessary, to correct them. These capabilities and the safe use of the additionally attached components cannot be assessed by Sunrise Medical as a manufacturer. We cannot accept any liability for any damage resulting from this.

Please refer to the operating instructions of the wheelchair and the additionally mounted components. Instruct the user in the safe use of the wheelchair and the additionally mounted components. Inform users of specific warnings that need to be read, understood, and respected.

When considering provision, please also note the body size, weight, physical and psychological constitution, the age of the person, living conditions and environment.

Operating Conditions

The wheelchair can be used indoors as well as outdoors in self-propelled or attendant configurations, on dry, firm, relatively smooth surfaces. It is not recommended for use in a storm, torrential rain, snow and ice or other extreme weather conditions.



The engineering and construction of this wheelchair has been designed to provide maximum safety. International safety standards currently in force have either been fulfilled or exceeded in parts. Nevertheless, users may put themselves at risk by improperly using their wheelchairs. For your own safety, the following rules must be strictly observed.

Unprofessional or erroneous changes or adjustments increase the risk of accident. As a wheelchair user, you are also part of the daily traffic on streets and pavements, just like anyone else. We would like to remind you that you are therefore also subject to any and all traffic laws.

Be careful during your first ride in this wheelchair. Get to know your wheelchair.

Before each use, the following should be checked:

- Quick-release axles on the rear wheels
- Velcro on seats and backrests
- Tyres, tyre pressure and wheel locks.

Before changing any of the adjustments of this wheelchair, it is important to read the corresponding section of the user's manual.

It is possible that potholes or uneven ground could cause this wheelchair to tip over, especially when riding uphill or downhill.

When riding forwards over a step or up an incline, the body should be leaning forward.

⚠ DANGER!

- NEVER exceed the maximum load of 125 kg Style X / 150 kg (136 kg crash tested) Style X Ultra for the driver plus any items carried on the wheelchair. Please note the weight information for lighter weight options, which are quoted separately. If you exceed the maximum load, this can lead to damage to the chair, or you may fall or tip over, lose control and may lead to serious injury of the user and other people.
- When it is dark, please wear light clothing or clothing with reflectors, so that you can be seen more easily. Make sure that the reflectors on the side and back of the wheelchair are clearly visible. We would also recommend that you fit an active light.
- To avoid falls and dangerous situations, you should first practice using your new wheelchair on level ground with good visibility.

- When getting on or off the wheelchair, do not use the footboards. These should be flipped up beforehand and swung to the outside as far as possible. Always position yourself as close as possible to the place where you wish to sit.
- Only use your wheelchair properly. For example, avoid travelling against an obstacle without braking (step, kerb edge) or dropping down gaps.
- The wheel locks are not intended to brake your wheelchair. They are only there to ensure that your wheelchair does not begin rolling unintentionally. When you stop on uneven ground, you should always use the wheel locks to prevent such rolling. Always apply both wheel locks; otherwise, your wheelchair could tip over.
- Explore the effects of changing the centre of gravity on the behaviour of the wheelchair, for example on inclines, slopes, all gradients or when overcoming obstacles. Do this with the secure aid of a helper.
- With extreme settings (e.g. rear wheels in the most forward position) and less than perfect posture, the wheelchair may tip over even on a level surface.
- Lean your upper body further forward when going up slopes and steps.
- Lean your upper body further back when going down slopes and steps. Never try to climb and descend a slope diagonally.
- Avoid using an escalator which may lead to serious injury in the event of a fall.
- Do not use the wheelchair on slopes > 10°. The Dynamic safe slope is dependent on the chair configuration, the user's abilities and the style of riding. As the user's abilities and style of riding cannot be pre-determined then the max safe slope cannot be determined. Therefore this must be determined by the user with the assistance of an attendant to prevent tipping. It is strongly recommended that inexperienced users have anti-tip tubes fitted.
- It is possible that potholes or uneven ground could cause this wheelchair to tip over, especially when riding uphill or downhill.
- Do not use your wheelchair on muddy or icy ground. Do not use your wheelchair where pedestrians are not allowed.
- To avoid hand injuries do not grab in between the spokes or between the rear wheel and wheel lock when driving the wheelchair.
- In particular when using lightweight metal handdrims, fingers will easily become hot when braking from a high speed or on long inclines.
- Riding sideways on to a slope or incline, increases the possibility of the wheelchair tipping over sideways.
- Only attempt stairs with the help of an attendant. There is equipment available to help you, e.g. climbing ramps or lifts, please use them. If there is no such equipment available, then the wheelchair must be tipped and pushed, never carried, over the steps (2 helpers). We recommend that users over 100 kg in weight do not use this stairway manoeuvre!
- In general, any anti-tip tubes fitted must be set beforehand, so that they cannot touch the steps, as otherwise this could lead to a serious tumble. Afterwards the anti-tip tubes must be set back to their correct position.
- Make sure that the attendant only holds the wheelchair using securely mounted parts (e.g. not on the footrests or the sideguards).
- This wheelchair is not designed to be used whilst weight training and/or when using dumbbells. Only use equipment specifically designed for this purpose.
- Do not lift or carry the wheelchair by the backtubes or the pushhandles.
- When using the lifting ramp make sure that the anti-tip tubes fitted are positioned outside the danger area.
- Secure your wheelchair on uneven ground or when transferring, e.g. into a car, by using the brakes.

- If and whenever possible, during a journey in a specially fitted vehicle for disabled people, vehicle occupants should use the seats in the vehicle and the appropriate restraint system. This is the only way to ensure that occupants will have the maximum protection if there is an accident. When using safety elements offered by SUNRISE MEDICAL and using a specially designed safety system, lightweight wheelchairs can be used as a seat when being transported in a specially fitted vehicle. (See the Chapter on “Transportation”).
- Depending on the diameter and setting of the castors, as well as the centre of gravity setting of the wheelchair, the castors may begin to wobble at high speeds. This can lead to the castors being blocked and the wheelchair may tip over. Therefore, please make sure that the castors are adjusted correctly (see the Chapter “Castors”). In particular, do not travel on an incline without brakes, travel at a reduced speed. We recommend that novice users use anti-tip tubes.
- Anti-tip tubes should prevent the chair tipping over backwards unintentionally. Under no circumstances should they take the place of transit wheels, and be used to transport a person in a wheelchair with the rear wheels removed.
- When reaching for objects (which are in front of, to the side or behind the wheelchair) make sure that you do not lean too far out of the wheelchair, as if you change the centre of gravity there is a risk of tipping or rolling over. The hanging of additional load (back pack or similar items) onto your chair backposts can affect the rearward stability of your chair, especially when used in combination with recliner backrests. This can cause the chair to tip backwards causing injury.
- Adjustments to your wheelchair, particularly to safety-related components must be carried out by an approved dealer. This applies to adjustments to wheel locks, anti-tip tubes, backrest angle and height, lower leg length, COG, lap belt, rear wheel toe-in and camber, seat height as well as toe-in and directional stability of the castor fork.
- When using mobility accessories fitted to the wheelchair such as handbikes, electronic power assist, etc, make sure that your wheelchair is fitted with the appropriate castor forks, approved for this use. Please contact your dealer if you have any questions.
- Do not fit any unauthorized electronic equipment, powered or mechanically operated mobility drives, hand-bike or any other device that changes the intended use or the structure of the wheelchair.
- Any combination with other medical devices requires the approval of Sunrise Medical.
- Please note that in certain configurations the wheelchair may exceed a width of 700 mm. If this is the case, under certain circumstances, it may not be possible to use some or all of the available escape routes from a building. It may be more difficult or impossible to travel on public transport.
- Further information and safety instructions can be provided by your authorised dealer.
- For thigh amputees you must use anti-tip tubes.
- Before setting off, check that your tyre pressure is correct. For rear wheels it should be at least 3.5 bar (350 kPa). The max. pressure is indicated on the tyre. The knee-lever brakes will only work if there is sufficient tyre pressure and if the correct setting has been made (see the Chapter on “Brakes”).
- If the seat and back sling are damaged, you must replace them immediately.
- Be careful with fire, in particular with burning cigarettes. Seat and back slings can be set alight.
- If the wheelchair is subject to direct sunlight for a long period of time, then parts of the wheelchair (e.g. frame, legrests, brakes and sideguard) may become hot (>41°C).
- Always make sure that the quick-release axles on the rear wheels are set properly and lock in. If the button on the quick-release axle is not pressed in, the rear wheel cannot be removed.
- Always take care to avoid getting your clothing trapped in the drive wheels.

 **WARNING!**

- The effect of the knee-lever brake as well as the general driving characteristics are dependent on tyre pressure. The wheelchair is significantly lighter and easier to manoeuvre when the rear wheels are pumped up correctly and both wheels have the same pressure.
- Make sure that your tyres have sufficient tread! Please note that you are subject to any and all traffic laws when driving in public traffic.
- Always be careful with your fingers when working or adjusting the wheelchair!

 **WARNING!**

CHOKING HAZARD – This mobility aid uses small parts which under certain circumstances may present a choking hazard to small children.

The wheelchairs shown and described in this user guide may not correspond in every detail exactly to your own model. However, all instructions are completely relevant, regardless of possible detail differences.

The manufacturer reserves the right to alter without notice any weights, measurements or other technical data shown in this manual. All figures, measurements and capacities shown in this manual are approximate and do not constitute specifications.

THIS GUARANTEE DOES NOT AFFECT YOUR LEGAL RIGHTS IN ANY WAY.

Sunrise Medical* provides a guarantee, as set out in the warranty conditions, for wheelchairs to its customers covering the following.

Warranty conditions:

1. Should a part or parts of the wheelchair require repair or replacement as a result of a manufacturing and/or material fault within 24 months or for frame and cross-braces within 5 years after delivery to the customer, then the affected part or parts will be repaired or replaced free of charge. The warranty will only cover manufacturing defects
2. To enforce the warranty, please contact Sunrise Medical Customer Service with the exact details of the nature of the difficulty. Should you be using the wheelchair outside the area covered by the Sunrise Medical customer service agent, repairs or replacement will be carried out by another agency as designated by the manufacturer. The wheelchair must be repaired by a Sunrise Medical designated Customer Service agent, (dealer).
3. For parts, which have been repaired or exchanged within the scope of this warranty, we provide a warranty in accordance with these warranty conditions for the remaining warranty period for the wheelchair in accordance with point 1).
4. For original spare parts which have been fitted at the customer's expense, these will have a 12 months guarantee, (following the fitting), in accordance with these warranty conditions.
5. Claims from this warranty shall not arise, if a repair or replacement of a wheelchair or a part is required for the following reasons:
 - a. Normal wear and tear, which include batteries, armrest pads, upholstery, tyres, brakes shoes, etc.
 - b. Any overloading of the product, please check the EC label for maximum user weight.
 - c. The product or part has not been maintained or serviced in accordance with the manufacturer's recommendations as shown in the user instructions and/or the service instructions.
 - d. Accessories have been used which are not specified as original accessories.
 - e. The wheelchair or part having been damaged by neglect, accident or improper use.
 - f. Changes/modifications have been made to the wheelchair or parts, which deviate from the manufacturer's specifications.
 - g. Repairs have been carried out, before our Customer Service has been informed of the circumstances.
6. This guarantee is subject to the law of the country in which the product was purchased from Sunrise Medical*

* Means the Sunrise Medical facility from which the product was purchased.

Additional Notes For Australia Only:

- i. For goods provided by Sunrise medical Pty Ltd in Australia, our goods come with a guarantee by Sunrise Medical that cannot be excluded under Australian Consumer Law.
- ii. You are entitled to a replacement or refund for a major failure and for compensation for any foreseeable loss or damage.
- iii. You are also entitled to have the goods repaired or replaced if the goods fail to be of acceptable quality and the failure does not amount to a major failure.
- iv. The benefits to you given by this warranty are in addition to your other rights and remedies under a law in relation to the goods to which the warranty relates.

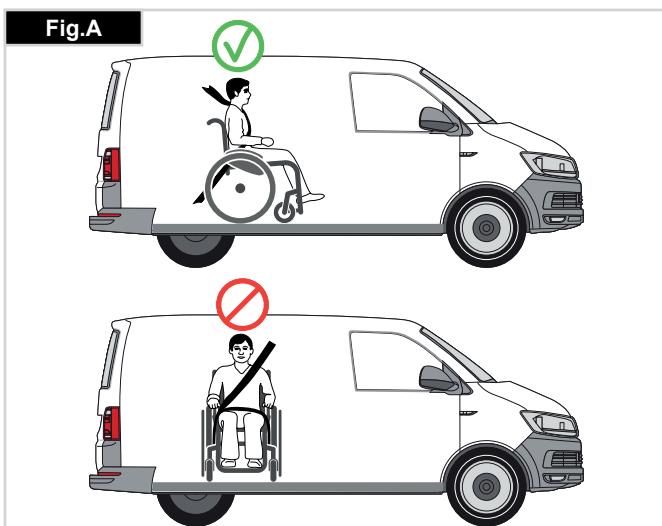


There is a risk of serious injury or death if this advice is ignored!

Transportation of your wheelchair within a vehicle:

A wheelchair secured in a vehicle will not provide the equivalent level of safety and security as a vehicle seating system. It is always recommended that the user transfers to the vehicle seating. It is recognised that this is not always practical for the user to be transferred and in these circumstances, where the user must be transported whilst in the wheelchair, the following advice must be followed:

1. Confirm that the vehicle is suitably equipped to transport a passenger in a wheelchair, and ensure the method of access/ egress is suitable for your wheelchair type. The vehicle should have the floor strength to take the combined weight of the user, the wheelchair and accessories.
2. Sufficient space should be available around the wheelchair to enable clear access to attach, tighten and release the wheelchair and occupant tie down restraints and safety belts.
3. The occupied wheelchair must be located in a forward facing position and secured by the wheelchair tie down and occupant restraint straps (WTORS tie downs meeting the requirements of ISO 10542 or SAE J2249) in accordance with the WTORS manufacturer's instructions.
4. The wheelchair's use in other positions within a vehicle has not been tested e.g. transportation in a side facing position must not be carried out under any circumstances (Fig. A).
5. The wheelchair should be secured by a Tie Down Restraint system, conforming to ISO 10542 or SAE J2249 with non-adjustable front straps and adjustable rear straps, which typically use Karabiner clips/S hooks and tongue and buckle fittings. These restraints generally comprise of 4 individual straps that are attached to each corner of the wheelchair.
6. The tie-down restraints should be fitted to the main frame of the wheelchair as indicated in the diagram on the following page, and not to any attachments or accessories, e.g. not around the spokes of wheels, brakes or footrests.
7. The tie-down restraints should be attached as close as possible at an angle of 45 degrees and tightened securely in accordance with the manufacturer's instructions.
8. Alterations or substitutions must not be made to the wheelchair securement points or to structural and frame or components without consulting the manufacturer. Failure to do so will invalidate the ability of a Sunrise Medical wheelchair to be transported within a vehicle.



9. Both pelvic and upper torso restraint belts must be used to restrain the occupant to reduce the possibility of head and chest impacts with the vehicle components and serious risk of injury to the user and other vehicle occupants. (Fig B) The upper torso restraint belt should be mounted to the vehicle "B" pillar - failure to do so will increase the risk of serious abdominal injuries to the user.

10. A head restraint suitable for transportation (see label on headrest) must be fitted and suitably positioned at all times during transportation.

11. Postural supports (lap straps, lap belts) should not be used or relied on for occupant restraint in a moving vehicle unless they are labelled as meeting the requirements specified in ISO 7176-19 or SAE J2249.

12. The safety of the user during transportation depends upon the diligence of the person securing the tie-down restraints and they should have received appropriate instructions and/or training in their use.

13. Wherever possible remove and stow safely away from the wheelchair all auxiliary equipment, for example: Crutches, Loose cushions and Tray Tables.

14. Articulating/elevating leg rest should not be used in the elevated position when the wheelchair and user are being transported and the wheelchair is restrained using Wheelchair Transport and Occupant Restraints.

15. Reclining backrests should be returned to an upright position.

16. The manual brakes must be firmly applied.

17. Restraints should be mounted to the vehicle "B" pillar and should not be held away from the body by wheelchair components such as armrest or wheels.

NOTE: The Breezy Style is suitable to be used as a seat in a vehicle only if the transportation kit is fitted to the rear frame. For the UK this kit is fitted as STANDARD, but for other countries, the kit is an OPTION and must be selected from the order form.



- The Transportation kit must be fitted to the wheelchair before using it to transport a passenger within a vehicle.
- The Transportation kit must be fitted by a Sunrise Medical approved dealer.



Occupant Restraints Instruction:

1. The pelvic restraint belt must be worn low across the front of the pelvis so that the angle of the pelvic belt is within the preferred zone of 30 to 75 degrees to the horizontal. A steeper (greater) angle within the preferred zone is desirable i.e. closer to, but never exceeding 75degrees. (Fig C)

2. The upper torso restraint belt must fit over the shoulder and across the chest as illustrated Fig d and e
Restraint belts must be adjusted as tightly as possible consistent with user comfort.
Restraint belt webbing must not be twisted when in use.
The upper torso restraint belt must fit over the shoulder and across the shoulder as illustrated in Fig D and E.

3. The attachment points to the chair are the inner front side frame just above the castor, and the rear side frame. The straps are fitted around the side frames at the intersection of the horizontal and vertical frame tubes. (See Figs G-H).

4. The tie down symbol (Fig F) on the wheelchair frame indicates the position of the wheelchair restraint straps. The straps are then tensioned after the front straps have been fitted to secure the wheelchair.

Positioning of wheelchair tie down restraints on wheelchair:

1. Location of the front and rear tie down labels (Fig.G - H).

Minimum User Weight 22 kg:

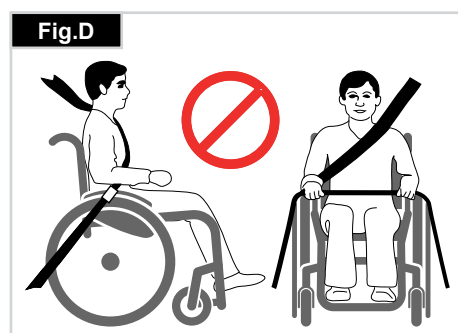
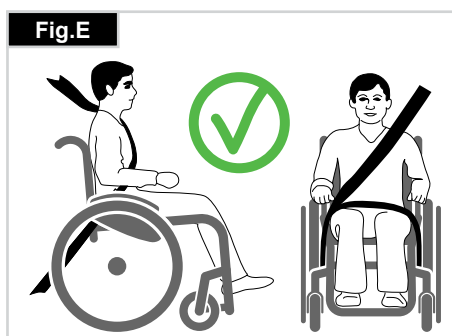
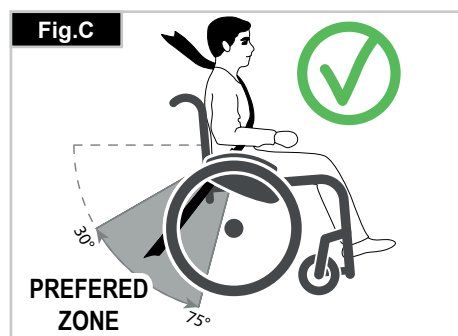
When the user being transported is a child, less than 22Kg mass and the vehicle involved has less than eight (8) seated passengers it is recommended that they be transferred to an UNCE Regulation 44 compliant child restraint system (CRS).

This type of restraint system provides a more effective occupant restraint system than the conventional 3 point occupant restraint system and some CRS systems also include additional postural supports to assist in maintaining the position of the child when seated.

Parents or care providers may consider the option, in some circumstances, for their child is to remain in their wheelchair whilst in transport due to the level of posture control and comfort provided by the set up in the wheelchair.

We would recommend in such circumstances that a risk assessment be carried out by your healthcare professional and relevant competent persons.

Maximum user weight: 136 kg.



Handling

Folding up

First remove the seat cushion and the back seat shell from the wheelchair and flip up the (platform) footplate or the individual footrests. Take hold of the sling or the seat tubes in the middle, from the back and pull upwards. The wheelchair will then fold up. To fold your wheelchair so that it is as small as possible, e.g., to put into a car, you can remove the footrests (depending on the model). For this purpose, open the latch from the outside and swing the footrest to the side. Then the footrest only has to be drawn out of the receiver tube (Fig. 1.0).



Transportation

To move the mobility aid, the folded wheelchair should be lifted by holding the front part of the cross-brace and the push handles.

Unfolding

Press down on the seat tube (see figure). Your wheelchair is then unfolded. Now snap the seat tubing into position in the seat saddle. This can be facilitated by slightly tipping your wheelchair, as this means that the weight is taken off one of the rear wheels. **Be careful not to get your fingers caught in the cross-tube assembly.** Refit the seat cushion (Fig. 2.0).



Transporting the Wheelchair

When transporting the unoccupied wheelchair in a vehicle, it should be tied down or strapped in.

Quick-Release Axles for Rear Wheels (Fig.3.0)

Removing the rear wheels will keep the wheelchair as compact as possible. The rear wheels are equipped with quick-release axles. The wheels can thus be installed or removed without using tools. To remove a wheel, simply depress the quick-release button on the axle (1) and pull it out.

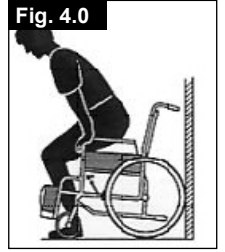


CAUTION!

Hold the quick-release button on the axle depressed when inserting the axle into the frame to mount the rear wheels. Release the button to lock the wheel in place. The quick-release button should snap back to its original position.

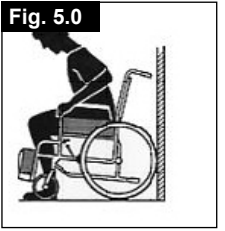
Getting into your wheelchair independently (Fig. 4.0)

- The wheelchair should be pushed up against a wall or solid piece of furniture;
- The brakes should be on;
- The footplates should be hinged up;
- The user can then lower himself into the chair;
- The footplates should then be pushed down and the feet rested on them in front of the heel loops.



Getting out of your wheelchair independently (Fig. 5.0)

- The brakes should be on;
- The hinged footplates should be hinged up;
- With one hand on each armrest, the person should bend slightly forward to bring the body weight to the front of the seat, and with both feet firmly on the ground, one foot well back, push up into the upright position.



WARNING!

When standing, do not stand on the footplates or the wheelchair will tip up. It is easier and safer to get into your wheel chair if you turn the footplates up and out of the way or take them off the wheelchair.

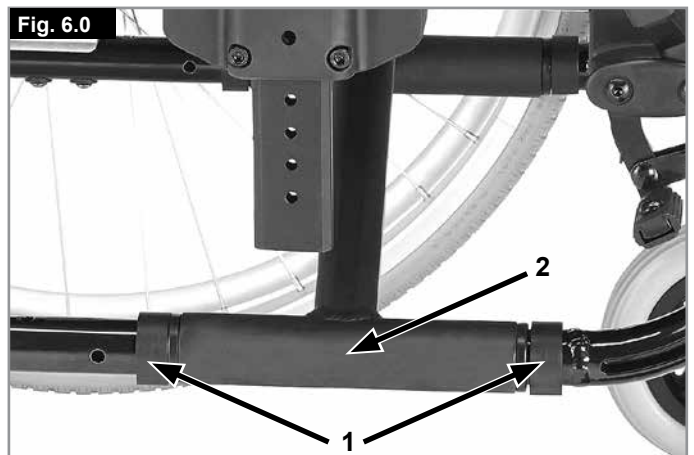
Options – Seat depth

SEAT DEPTH

By removing the clips (1), the cross-brace unit (2) can be pushed along the frame, which then alters the seat depth (depending on the position of the back tubes).

Make sure that the clips (1) snap into the frame holes provided.

To keep the frame as compact as possible, the seat depth can also be adjusted by using the back tubes (410 – 460mm in steps of 25mm). To do this remove the screws (1 and 2) on the back tube bracket. Remove the wheels and the armrests and check that the cross-brace is in the desired position (push the cross-brace as described above). Move the back tubes to the desired position and re-tighten all screws. Move the receiver tube for the armrests to the desired position (Fig. 6.0).



Options - Brakes

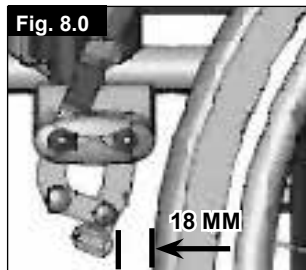
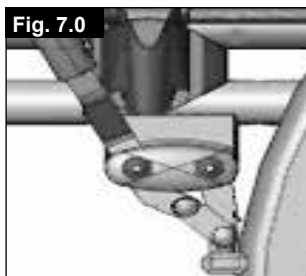
Wheel locks

Your wheelchair is equipped with two wheel locks. They are applied directly against the tyres. To engage, press both brake levers forward against the stops. To release the locks, pull the levers back to their original positions.

Braking power will decrease with:

- Worn tyre tread
- Tyre pressure that is too low
- Wet tyres
- Improperly adjusted wheel locks

The wheel locks have not been designed to be used as brakes for a moving wheelchair. The wheel locks should therefore never be used to brake a moving wheelchair. Always use the hand-rims for braking. Make sure that the gap between the tyres and wheel locks complies with given specifications. To readjust, loosen the screw and set the appropriate gap. Then re-tighten the screw (Fig. 7.0 + 8.0).



⚠ CAUTION!

After each adjustment of the rear wheels, check the wheel lock gap and re-adjust if necessary.

Brake lever Extension

The extension for the brake lever can be removed or folded down. The longer lever helps to minimise the effort needed to set the wheel locks (Fig.9.0).



⚠ CAUTION!

Mounting the wheel lock too close towards the wheel will result in a higher effort to operate. This might cause the brake lever extension to break!

⚠ CAUTION!

Leaning onto the brake lever extension while transferring will cause the lever to break! Splashing water from tyres might cause the wheel lock to malfunction.

Drum Brakes

Drum brakes permit safe and convenient braking for an attendant. They can also be set with the aid of a locking lever (1) to prevent rolling. The lever must snap audibly into place. Drum brakes are not influenced by air pressure inside the tyres. Your wheelchair cannot be moved when the drum brakes are set (Fig. 10.0).



⚠ CAUTION!

Drum brakes must only be adjusted by authorised dealers.

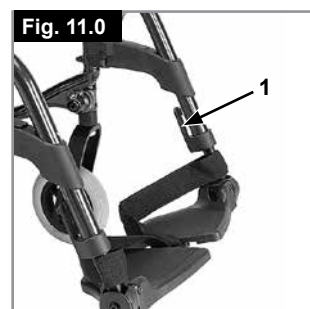
Options - Footplates

Footplates:

The footplates can be flipped up to make it easier to transfer to/from the chair.

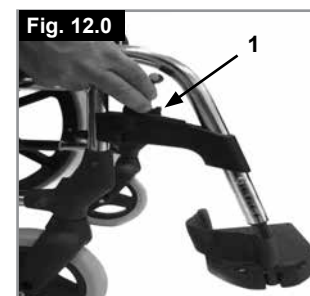
Lower leg length:

For users with longer legs, the leg support can be lowered to the appropriate level by using the screws (1). Loosen the screws, push the tubes to the desired position and then re-tighten the screws (see section on torque). There must always be a minimum gap of 25mm between the footplates and the ground, (Fig. 11.0).



Footrests and Latch

The legrests can be swung inwards under the seat sling or outwards. When fitting the legrests, the footrests must be pointing inwards or outwards. Then rotate the legrest inwards, until it locks into place. To remove, pull the lever (1), swing the footplate inwards or outwards and then lift the legrest out. Make sure that the legrest is locked into place correctly, (Fig. 12.0).



⚠ CAUTION!

- The legrests must not be used to lift or to carry the wheelchair.
- When getting on or off the wheelchair, do not use the footboards. These should be flipped up beforehand or the footrest should be swung to the outside as far as possible.

Option Elevating Legrest

(Fig. 13.0-15.0)

To remove, pull the lever (1), swing the footplate outwards and then lift the legrest out.

Height Adjustment:

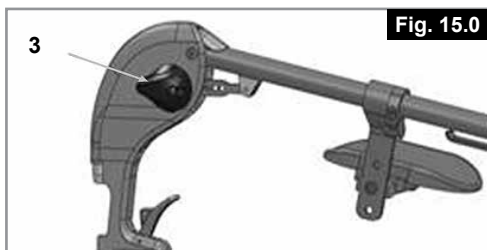
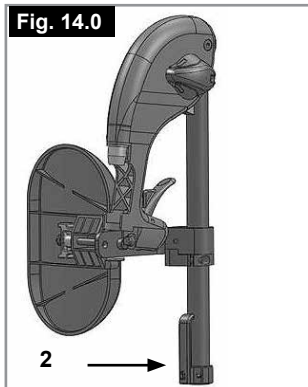
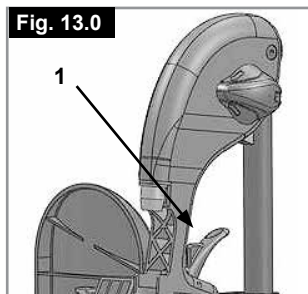
The lower leg length can be adjusted infinitely by releasing the screw (2). Adjust the suitable height and tighten the screw again.

CAUTION!

The distance between the footplate and the ground must be at least 40 mm.

Angle Adjustment:

Press the lever (3) downward with one hand while supporting the legrest with the other hand to take the load off. When a suitable angle is achieved, let go of the lever and the legrest will lock into one of the preset positions.



CAUTION!

- Keep hands clear of the adjustment mechanism between, the frame and the movable parts of the footrest while elevating or lowering the footrest.
- The footrests should not be used to lift or to carry the wheelchair.
- Risk of trapping fingers!
- When moving the footrest up or down, do not put your fingers in the adjusting mechanism between the moving parts of the footrest.

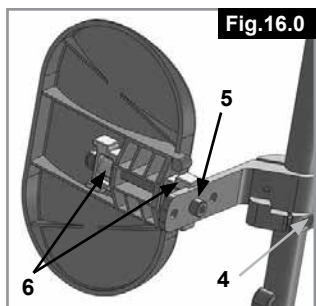
Adjusting the calf pad

The calf pad can be adjusted as follows:

Height: Open bolt (4 Fig.16.0) and move the clamping piece to the desired position. By rotating the clamping piece also the angle can be adjusted.

Depth: Open bolt (5) and move the calf pad into the desired position.

Width: Open bolt (5) and position the spacers (6) behind the pad, to get the desired position.



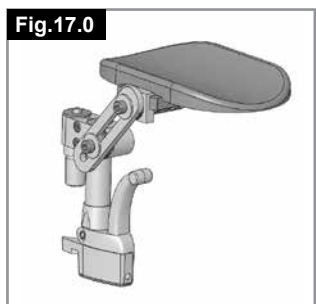
CAUTION!

Always make sure that the fasteners are secure.

Amputee Support

(Fig.17).

The Amputee Support can be adjusted in every direction as required.



Options - Castors

Castors, castor plates, forks

The wheelchair may veer slightly to the right or left, or the castors may wobble. This may be caused by the following:

- Forward and/or reverse wheel motion has not been set properly.
- The castor angle has not been set correctly.
- Castor and/or rear wheel air pressure is incorrect; the wheels do not turn smoothly.

The wheelchair will not move in a straight line if the castors have not been properly adjusted. Castors should always be adjusted by an authorised dealer. The castor plates must be re-adjusted, and the wheel locks must be checked every time the rear wheel position has been altered.

The seat height is determined by the castor and rear wheel position. The seat height can be adjusted by altering the position of the rear wheels and the castors (see seat height matrix on page 14).

CAUTION!

After adjusting the seat height, all screws must be re-tightened and the wheel lock must be readjusted.

Options - Castor Position

Items description

1. Tooth Washer 2. Castor 3. Plastic Ring 4. Castor Adaptor
5. Washer 6. Screw 7. Allen Key

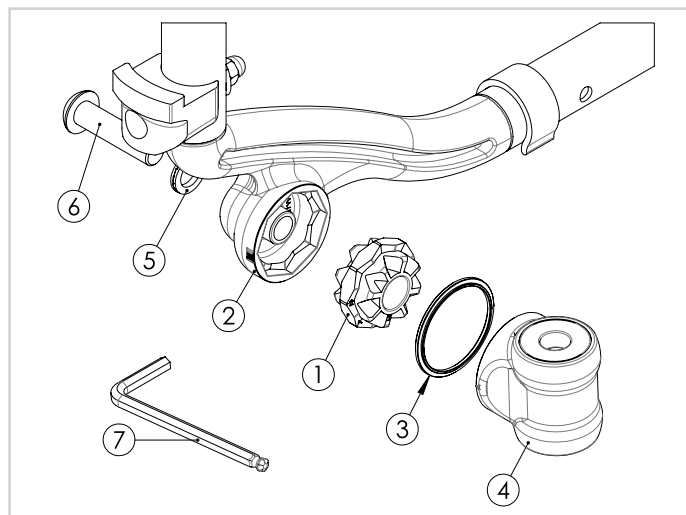


Fig. A

Select the tooth washer adjustment position & Hand.(LH/RH)

A1-side A (pos.1 ,Pos.2)

A2-side B (pos.3 ,Pos.4)

Note 1:(see provider configuration table, to choose the adjustment position for the seat height)

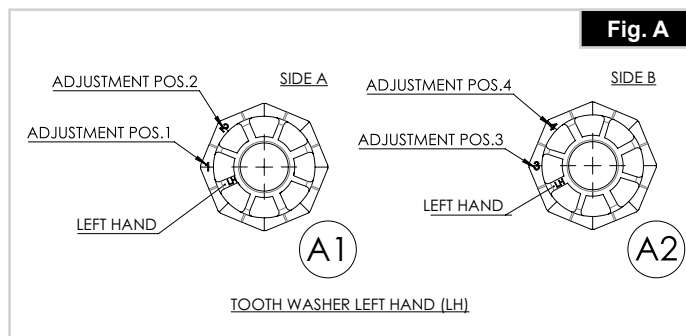


Fig. B

Insert the tooth washer ①, inside the castor ②.

B1- the tooth washer ① hand, must be coincident with the castor ② hand.

B2- the tooth washer adjustment "number", must be coincident with the castor reference.

B3-pass the screw, through the washer ⑤, and castor hole ②.

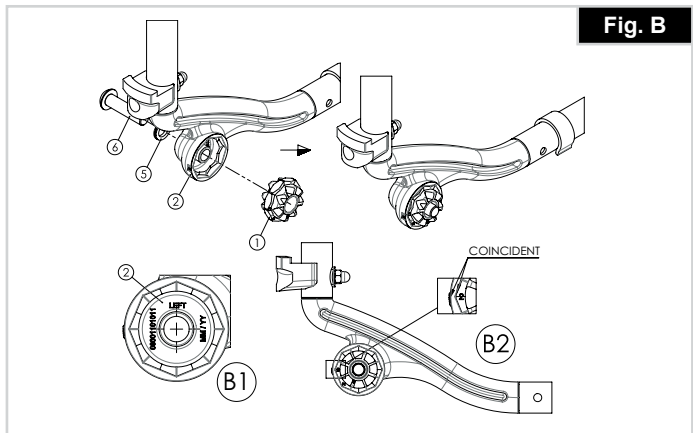


Fig. C

Insert plastic ring ③, inside the castor adaptor ④

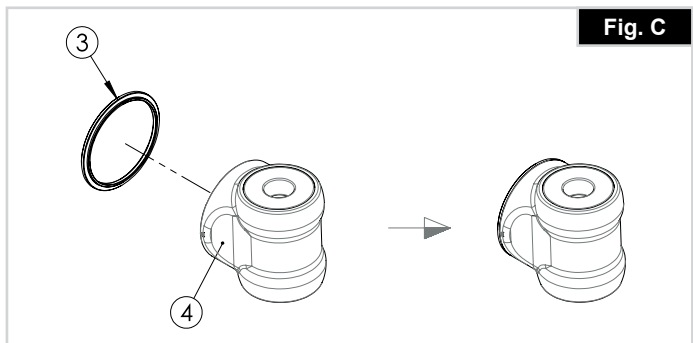


Fig. D

Join "C" assembly, with the tooth washer.

D1- the castor adaptor ④ arrow must be coincident with the castor reference.

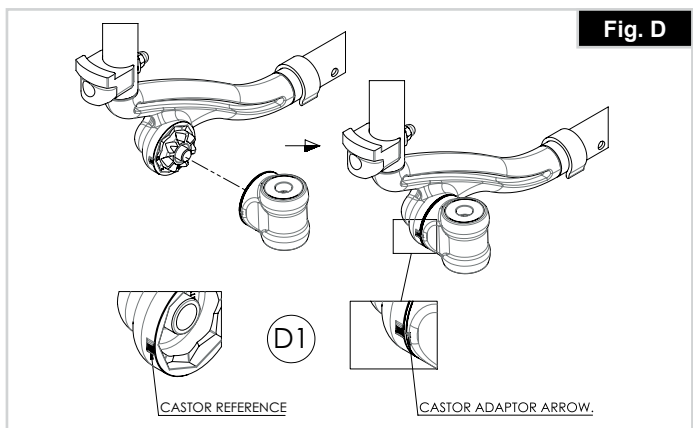
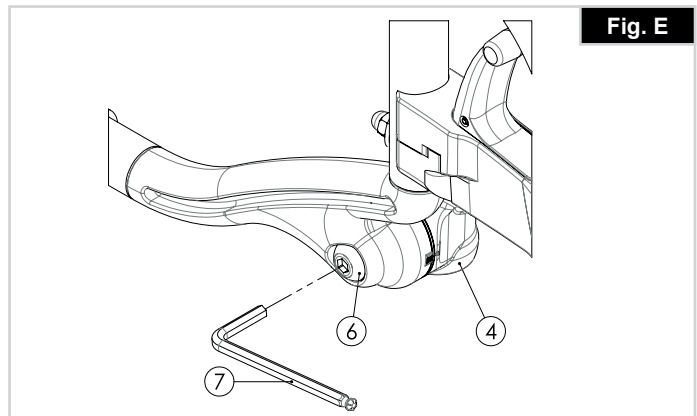


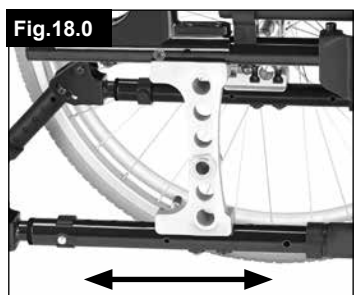
Fig. E

With the long allen key (n°6) ⑦, tighten the screw ⑥, with the castor adaptor ④, according with the recommended torque.



Options - Horizontal Axle Position

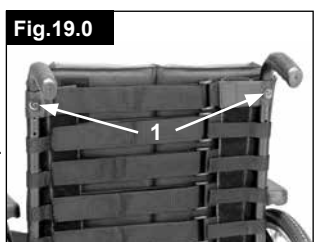
The axel plate can be adjusted forwards to give greater manoeuvrability or to the rear to give greater stability (Fig.18.0).



The larger the wheelbase the greater the security against your wheelchair tipping over.

Options - Backrest

Height-adjustable backrest
The height of the back rest can be set to 3 different positions. Release and remove bolt (1) and move the upholstery to the desired position. Tighten up the bolts again (Fig.19.0).



Half folding back
Unfolding the backrest:
To put the backrest in the upright position, push the handles upwards and forwards until they lock in, (Fig.20.0).



⚠ WARNING!

Keep fingers and other items away from the folding mechanism when the backrest is being folded to prevent injury or damage to property.

Folding the backrest:

The backrest can be folded to make storage of the wheelchair easier, (Fig.22.0).



Do not operate under load as this may cause lever to break.

To fold the backrest, stand behind the wheelchair, press the two small levers (Fig. 21.0) positioned on each side of the backrest (just above the armrests). Fold the backrest down.



Adjustable Backrest Angle (0° - 30°)

By pulling both levers together (1), you can release the backrest and then move it to the desired position.

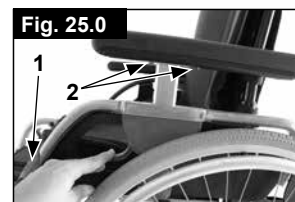
On releasing the two levers (1) the backrest will automatically lock into place (Fig. 22.0).



Side guard, flip-up, removable with short or long armrests, height-adjustable

The armrest can be height-adjusted as follows.

Move the lever downwards and move the armrest to the desired height. Release the lever and press the armrest downwards until you hear it click into place. Always check that the side guards are correctly in place. To flip the armrest up, push the lever (1) so that the sideguard is released.



You can adjust the length of the armrest by releasing the screws (2) push the armrest to the desired position and then re-tighten the screws (Fig. 25.0).



- Neither the sideguards nor the armrests are to be used for lifting or carrying the wheelchair.
- When using a 24" rear wheel the armpad must be moved one level up.

Tool Height Adjustable Armrest

Installation: Slide the arm post into the receiver, located on the wheelchair frame, until it stops

Height adjustment:

Slide the arm rest post out of the receiver. Adjust the position of the height adjustment bracket (1) by removing the screw (2) and moving it to the desired position. Re-fit the screw and tighten it. Slide the arm rest post back into the receiver, (Fig. 26.0).

Armpad Position:

The armpad position can be adjusted by releasing the screws (3), then moving the arm pad to the desired position. Re-tighten the screws, (Fig. 26.0).

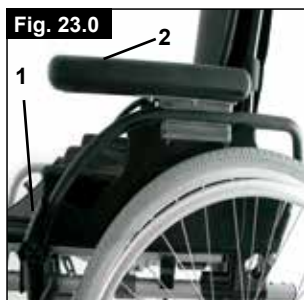
Adjusting Armrest Receiver

The tightness of the armrest receiver can be adjusted (tightened /loosened) by means of the 2 screws (1) - (Fig. 27.0).

Options – sideguard

Standard side guard, flip-up, removable with short or long armrests

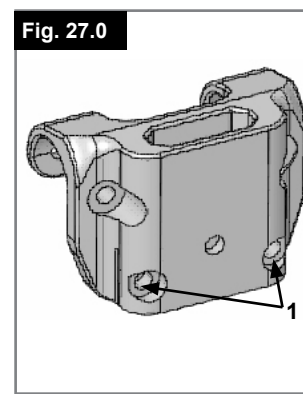
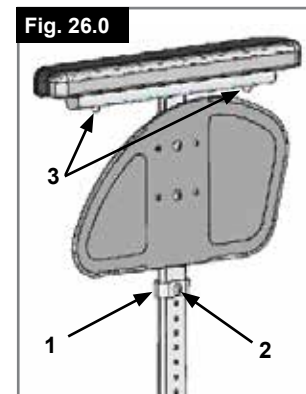
The sideguard with rounded off front edges will allow you to get up close to a table. To flip the armrest up, push the lever (1), so that the sideguard is released (Fig. 23.0 + 24.0).



The height of the armrest (2) can be adjusted by fitting the spacer bracket in various positions. To do this release the screws, move the spacer bracket and re-tighten the screws. The length of the armrest can be adjusted by releasing the screws (3), then move the armrest to the desired position and re-tighten the screws (Fig.24.0).



- Neither the sideguards nor the armrests are to be used for lifting or carrying the wheelchair.
- Take care of your fingers when adjusting the arm pad height.



HEIGHT-ADJUSTABLE ARMRESTS



To adjust the height, pull the lever (1) and push the armrest to the desired height. Afterwards make sure that the lever (1) locks back into position. Removing the armrest is carried out in the same way.

To remove the sideguard completely, push the lever (2). When fitting the sideguard, the lever (2) must also be pulled. **Always make sure that the sideguard locks into position correctly in the receiver.** (Fig. 28.0)

Options - Anti-Tips

Anti-Tip Tubes

Anti-tip tubes provide additional safety for inexperienced users when they are still learning how to operate their wheelchair. They prevent a wheelchair from tipping over backwards, (Fig. 29.0).

By pushing on the release button (1), the safety wheels can be set upwards or removed. There must always be a gap of between 30mm and 50mm between the tube and the ground.

You must swing the safety wheels upwards when going up and down large obstacles (such as a kerb) to prevent them from touching the ground. Then rotate the safety wheels back down to the normal position.

WARNING!

Incorrect setup of the anti-tips will increase the risk of a rearwards tip.



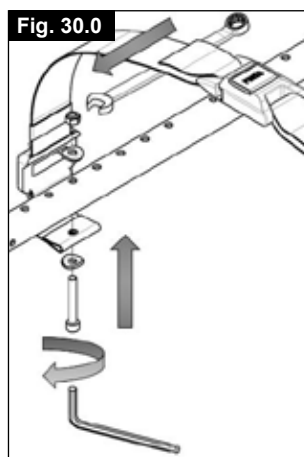
Pelvic Restraint Belt

DANGER!

- Before using your wheelchair ensure the lap belt is worn.
- The lap belt must be checked on a daily basis to ensure it is free from any obstruction or adverse wear.
- Always make sure that the lap strap is correctly secured and adjusted prior to use. If the strap is too loose it could cause the user to slip down and risk suffocation or cause serious injury.

The lap belt is fitted to the wheelchair as shown in the illustrations. The seat belt comprises 2 halves. They are fitted using the existing seat stay retaining bolt fitted through the eyelet on the belt. The belt is routed under the rear of the side panel. (Fig. 30.0)

Adjust the belt position so buckles are in the centre of the seat. (Fig. 31.0)



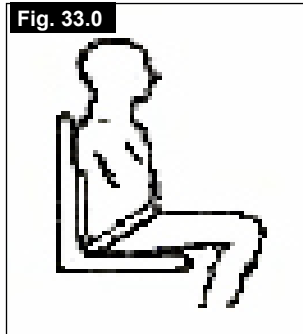
Adjust lap belt to suit the user's needs as follows:

To reduce the belt length	To increase the belt length
<p>Feed free belt back through male buckle and slide adjusters. Ensure belt is not looped at male buckle.</p>	<p>Feed free belt through slide adjusters and male buckle to provide more belt length.</p>

Pelvic Restraint Belt >>>

When fastened check space between the pelvic restraint belt and user. When correctly adjusted it should not be possible to insert more than the flat of the hand between the lap belt and the user. (Fig. 32.0)

The lap belt should be fixed so that the belt sits at an angle of 45 degrees across the user's pelvis. The user should be upright and be as far back as possible in the seat when correctly adjusted. The lap belt should not allow the user to slip down in the seat. (Fig. 33.0)




To fasten buckle:
Firmly push male buckle into female buckle.

To release belt:
Press exposed sides of male buckle and push towards centre whilst gently pulling apart.

⚠ WARNING!

- If in doubt about the use and operation of the lap belt then ask your healthcare professional, wheelchair dealer, carer or attendant for assistance.
- If you want to retrofit a lap belt, then please contact your authorised Sunrise Medical dealer.
- The lap belt must be checked on a daily basis to ensure it is adjusted correctly and free from any obstruction or adverse wear.
- Sunrise Medical does not encourage the transportation of any person in a vehicle using this lap belt as a method of restraint.

 Please see Sunrise Medical transit booklet for further advice on transportation.

Maintenance:

Check lap belt and securing components at regular intervals for any sign of fraying or damage. Replace if necessary.

⚠ WARNING

The lap belt should be adjusted to suit the end user as detailed above. Sunrise Medical recommends that the length and fit of the belt be checked on a regular basis to reduce the risk of the end user inadvertently re-adjusting the belt to an excessive length.

Options - Crutch holder

Crutch holder

This device permits crutches to be transported directly on a wheelchair. It has a Velcro loop to fasten crutches or other aids (Fig. 34.0).



WARNING!

Never try to use or attempt to remove the crutches or other aids while moving.

Options - Therapy Table

Therapy table

The tray provides a flat surface for most activities. Before using a tray, it first has to be adjusted to the width of the seat by an authorised dealer. The user must be sitting in the wheelchair during this adjustment (Fig. 35.0).

Maximum Load: 40kgs



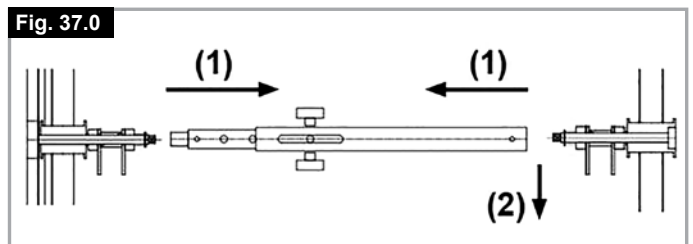
Options – One Hand Operation

One Hand Operation (Fig. 36.0 - 37.0)

To propel the chair straight forward both handrims must be used. To fold the wheelchair disconnect the telescopic bar by pushing the release inward (1). To take off the wheels pull release knob (2).

⚠ CAUTION!

Make always sure that the connections are set properly to avoid injuries.



Options - Stabilising Bar

RECLINER STABILISING BAR

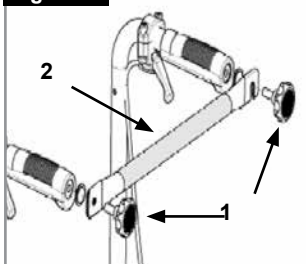
Open star-knob (1) and swing the stabilising bar (2) out of the way before folding the chair.

To reinstate the wheelchair, reverse the above procedure, (Fig. 38.0).

DANGER!

- Before using the wheelchair ensure that the stabiliser bar and star-knobs are in place and are tightened correctly.
- Never use the stabiliser bar to lift the chair!

Fig. 38.0



Tyres and Mounting

Tyres and mounting

Pneumatic tyres are fitted as standard from the factory.

If pneumatic tyres are used, make sure that you maintain the correct tyre pressure, as this can have an effect on wheelchair performance. If the tyre pressure is too low, rolling resistance will increase, requiring more effort to move the chair forward. Low tyre pressure also has a negative impact on manoeuvrability. If the tyre pressure is too high, the tyre could burst. The correct pressure for a given tyre is printed on the surface of the tyre itself.

Tyres can be mounted the same way as an ordinary bicycle tyre. Before installing a new inner tube, you should always make sure that the base of the rim and the interior of the tyre are free of foreign objects. Check the pressure after mounting or repairing a tyre. It is critical to your safety and to the wheelchair's performance that regulation air pressure be maintained and that tyres be in good condition.

Options – Headrests

HEADRESTS

The headrest can be raised and moved both forwards and backwards. To do this, simply loosen the screw, adjust the headrest to the desired position, and tighten the screw (see the section on torque) (Fig. 39.0).

Fig. 39.0



Options – Transit wheels

TRANSIT WHEELS

Transit wheels should be used wherever your wheelchair would be too wide if the rear wheels were used (e.g., in airplanes, buses, etc.). After the rear wheels have been removed with the aid of the quick-release axles, the **transit wheels** can immediately be used to continue riding. The **transit wheels** are mounted so that they are approx. 3 centimeters above the ground when not in use. They are thus out of the way when riding, transporting or when tipping to pass over obstacles (e.g., kerbs, steps, etc.) (Fig. 40.0).

CAUTION:

Your wheelchair does not have any wheel locks when the transit wheels are being used.

Fig. 40.0



Name Plate

Name Plate

The nameplate is located on either the cross-tube assembly or the transverse frame tube, as well as on a label in the owner's manual. The nameplate indicates the exact model designation and other technical specifications. Please provide the following pieces of information whenever you have to order replacement parts or to file a claim:

- Serial number
- Order number
- Month/Year



	Sunrise Medical GmbH Kahlbachring 2-4 D-69254 Malsch / Germany		2021-04-09
TYPE:	Rollstuhl	SN	203211733451939
Style X Ultra			
	150 kg		max 10°
	400 mm		435 mm

UK	RP	Sunrise Medical Limited Thorns Road, Brierley Hill West Midlands, DY5 2LD UNITED KINGDOM
-----------	-----------	---

TYPE:	Product Name/SKU Number.
	Maximum safe slope with anti-tip tubes fitted, Depends on wheelchair setting, posture and physical capabilities of the user.
	Seat width.
	Seat depth.
	Load Maximum.
	UKCA Mark.
	CE Mark.
	Consult instructions for use.
	XXXX-XX-XX
SN	Serial number.
MD	This symbol means Medical Device.
	Manufacturer's address.
ISO 7176-19:2008	Crash tested according to ISO 7176-19:2008.
	Importer's address
UK RP	UK Responsible Person
CH REP	Swiss Representative's address

Maintenance and care

SAFETY CHECK:

As the user you will be the first person to notice any possible defects. We therefore recommend that before each use, you check the following:

- The tyre pressure is correct.
- The brakes work correctly.
- All removable parts are securely fastened (e.g. armrests, footrest hangers, quick-release axles ...).
- If there is any damage/defect, please contact your authorised dealer.

MAINTENANCE:

Check the tyre pressure at regular intervals. Check all tyres for wear and damage at regular intervals, at least annually. Change the tyres as soon as there is any sign of damage or wear. Check the seat and back sling for wear and damage at regular intervals, at least annually. Change these items as soon as there is any sign of damage or wear. Check all frame and backrest components for wear and damage at regular intervals, at least annually. Change these items as soon as there is any sign of damage or wear. Check the brakes for wear and damage at regular intervals, at least annually. Check that they are working properly and are easy to use. Change the brakes as soon as there is any sign of damage or wear. Check to make sure all bolts are secure (see the section on torque) at regular intervals, at least annually. All screws which are critical to using the wheelchair safely have safety nuts. Safety nuts should only be used once and should be replaced after use.

NOTE: If torque settings are given, then we strongly recommend that you use a torque measuring device, in order to check that you have tightened to the correct torque. Please use only mild household cleaners when your wheelchair is dirty. Use only soap and water when cleaning the seat upholstery and lap belt. Depending on the frequency and type of use, we recommend taking your wheelchair to your authorised dealer regularly, but at least within a year, to have it maintained by trained personnel.

CAUTION!

Sand, salt and sea water can damage the bearings of the front and rear wheels. Clean and dry the wheelchair carefully, after they have been exposed to these elements.

Hygiene measures when being re-used:
Prior to the wheelchair being re-used, it must be carefully prepared. All surfaces which come into contact with the user must be treated with a disinfection spray. To do this, you must use a disinfectant as authorised/recommended in your country, for rapid alcohol-based disinfection for medical products and medical devices, which must be disinfected quickly. Please be aware of the manufacturer's instructions for the disinfectant you are using. In general, a complete disinfection cannot be guaranteed on seams. We therefore recommend that you dispose of seat and back slings to avoid micro-bacterial contamination with active agents according to your local infection protection law.



ISO 7010-M002
Instruction manual/
booklet must be read!
(Blue Icon)

Trouble Shooting

Wheelchair pulls to one side

- Check tyre pressure (pneumatic tyres only).
- Check to make sure wheel turns easily (bearings, axle).
- Check the castor angles are set consistently and make proper contact with the ground.
- Ensure castor fork bearings rotate freely.

Castors begin to wobble

- Check the castor angle.
- Check to make sure all bolts are secure; tighten if necessary (see the section on torque).
- Check to make sure both castors are making proper contact with the ground.

Cross-tube assembly does not snap into position in the seat saddle

- Chair is still new, i.e. the seat or backrest upholstery is still very stiff. This will improve with time.

Wheelchair is difficult to fold up

- Adjustable backrest upholstery is too stiff. Loosen it accordingly.

Wheelchair squeaks and rattles

- Check to make sure all bolts are secure; tighten if necessary (see the section on torque).
- Apply small amount of lubrication to spots where movable parts come in contact with one another.

Wheelchair begins to wobble

- Check angle at which castors are set.
- Check all tyres for damage or wear.
- Check to see if rear wheels are adjusted or fixed unevenly.

Disposal / Recycling of Materials

NOTE: If the wheelchair has been supplied to you free of charge it may not belong to you. If it is no longer required follow any instructions given by the organisation issuing the wheelchair in order that it may be returned to them.

The following information describes the materials used in the wheelchair in relation to the disposal or re-cycling of the wheelchair and its packaging. Specific waste disposal or recycling regulations may be in force locally and these should be taken into consideration when disposal arrangements are made. (This may include the cleaning or decontamination of the wheelchair before disposal).

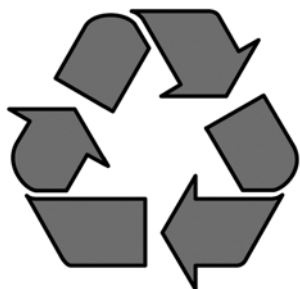
Aluminium: Side frames, armrests, frame, legrests..

Plastic: Handgrips, castor forks, tube plugs, castor wheels, footplates, armpads and 12" wheel/tyre, wheels, side guards.

Packaging: Low density polythene bag, cardboard box.

Upholstery: Woven polyester with PVC coatings and expanded combustion modified foam.

Disposal or recycling should be done through a licensed agent or authorised place of disposal. Alternatively your wheelchair may be returned to your dealer for disposal.



Technical Data

Technical Specifications

Overall width:

- | | |
|--|-------------|
| With standard wheels including handrims | SW +180 mm |
| With drumbrake wheels including handrims | SW + 200 mm |

Folded dimensions:

- with rear wheels approx. 275 mm
- without rear wheels approx. 220 mm

Weight in kg:

- Transportation (without footrest, wheels, sideguard) 8.2 kg
- Footrest (unit) 0.75 kg
- Sideguard (unit) 1.3 kg
- Wheels (unit) 1.75 kg

Maximum user weight:

- Breezy Style X up to a load of 125 kg
- Breezy Style X Ultra up to a load of 150kg (136kg transit limit)

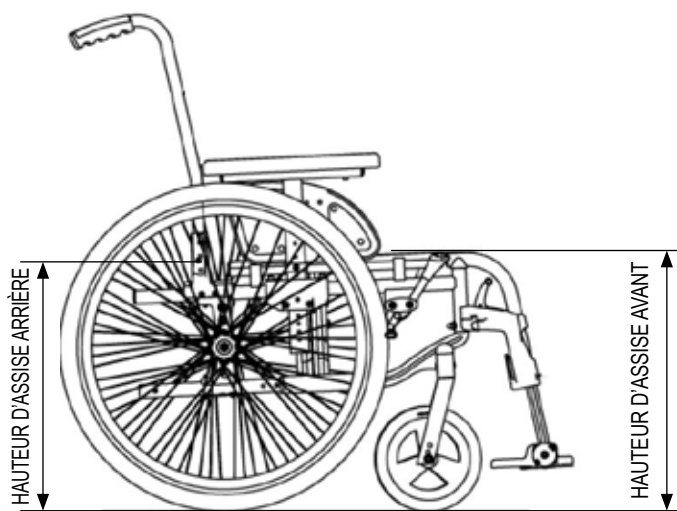
According EN12183: 2014 all there listed parts (seat - back upholstery, arm pad, side panel...) are fire resistant according EN1021 Part 1/2 .

The Dynamic safe slope is dependant on the chair configuration, the users abilities and the style of riding. As the users abilities and style of riding cannot be pre-determined then the max safe slope cannot be determined. Therefore this must be determined by the user with the

assistance of an attendant to prevent tipping. It is strongly recommended that inexperienced users have Ant-tips fitted.

The wheelchair conforms to the following standards:

- Requirements and test methods for static, impact and fatigue strengths (ISO 7176-8)
- Requirements for resistance to ignition in accordance with ISO 7176-16 (EN 1021-1/2)



HAUTEUR D'ASSISE AVANT: (mm)	385 / 410 / 435 / 460 / 485 / 510
HAUTEUR D'ASSISE ARRIÈRE: (mm)	365 / 390 / 415 / 440 / 465 / 490

Remarque : La différence maximale entre la hauteur d'assise à l'avant et à l'arrière est de 40 mm.

385	5"	1A	
410	5"	3A	
435	5"		1A
460	5"		3A
485	5"		3B
510	5"		
385	6"		
410	6"	2A	
435	6"	4A	
460	6"		2A
485	6"		2B
510	6"		4B
385	8"		-
410	8"		-
435	8"		-
460	8"	4A	
485	8"		2A
510	8"		2B

ANGLE D'ASSISE DE 0° (0°, 2° / -0°.2)			
NUMÉRO POSITION DE LA ROUE AVANT 1			
385 / 385	24"	1	
410 / 410	24"	2	
435 / 435	24"	3	
460 / 460	24"	4	
485 / 485	24"	5	
510 / 510	24"	6	
385 / 385	22"	2	
410 / 410	22"	3	
435 / 435	22"	4	
460 / 460	22"	5	
485 / 485	22"	6	
510 / 510	22"		
385 / 385	12"		
410 / 410	12"		1
435 / 435	12"		2
460 / 460	12"		3
485 / 485	12"		4
510 / 510	12"		


ANGLE D'ASSISE DE 3° (2°, 2° / 3°, 4)			
NUMÉRO POSITION DE LA ROUE AVANT 3			
385 / 365	24"		
410 / 390	24"	1	
435 / 415	24"	2	
460 / 445	24"	3	
485 / 465	24"	4	
510 / 490	24"	5	
385 / 365	22"	1	
410 / 390	22"	2	
435 / 415	22"	3	
460 / 445	22"	4	
485 / 465	22"	5	
510 / 490	22"	6	
385 / 365	12"	6	
410 / 390	12"		
435 / 415	12"		1
460 / 445	12"		2
485 / 465	12"		3
510 / 490	12"		4

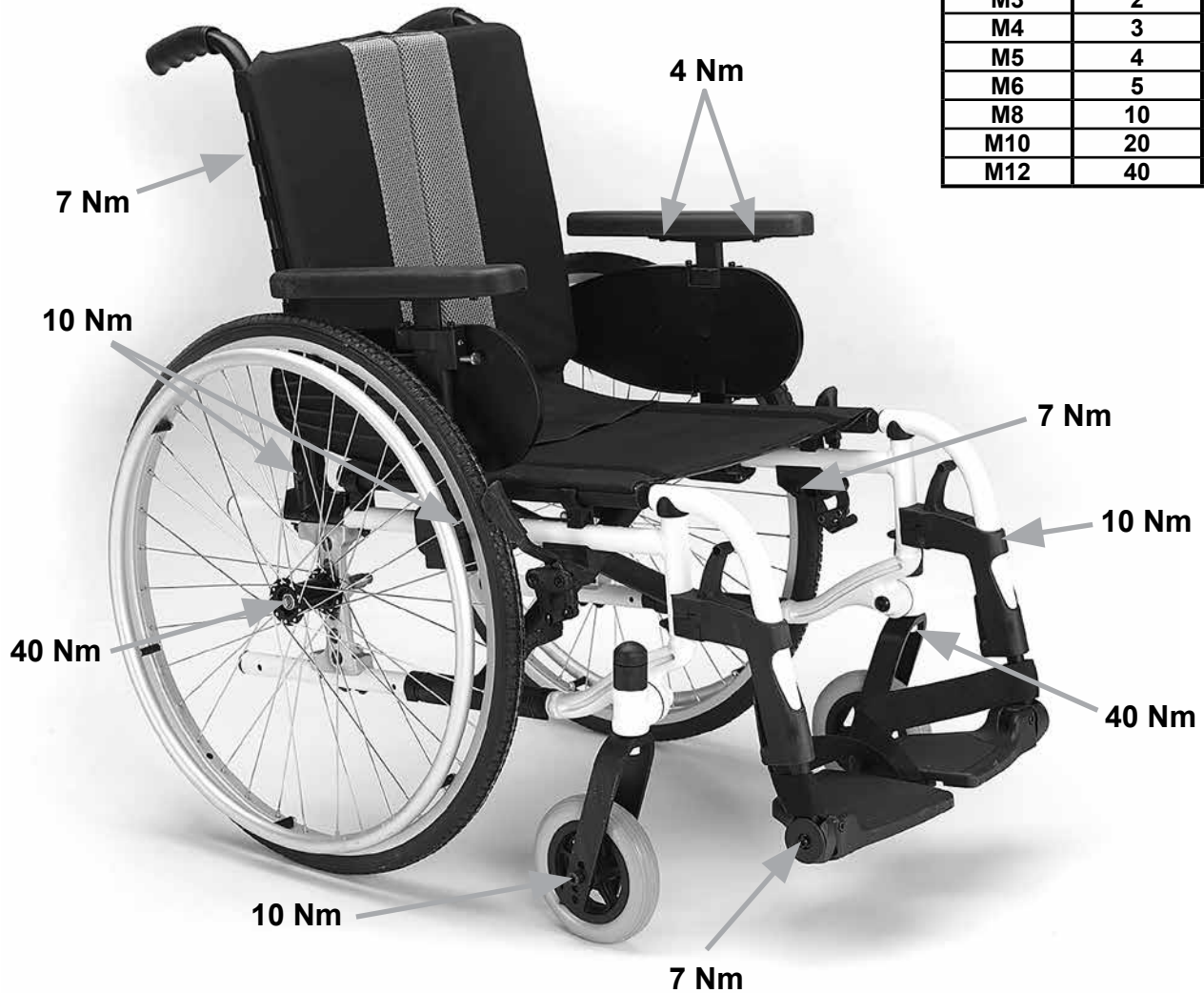
ANGLE D'ASSISE DE 6° (5°, 4° / 6°, 8)			
NUMÉRO POSITION DE LA ROUE AVANT 4			
385 / 345	24"		
410 / 370	24"		
435 / 395	24"	1	
460 / 420	24"	2	
485 / 445	24"	3	
510 / 470	24"	4	
385 / 385	22"		
410 / 370	22"	1	
435 / 395	22"	2	
460 / 420	22"	3	
485 / 445	22"	4	
510 / 470	22"	5	
385 / 345	12"	6	
410 / 370	12"	6	
435 / 395	12"		
460 / 420	12"		1
485 / 445	12"		2
510 / 470	12"		3



Sauf indication contraire, le couple de serrage pour les vis M6 est de 7 Nm.
 Reportez-vous à la page 7 pour plus d'informations

Fig. 25

	Nm
M3	2
M4	3
M5	4
M6	5
M8	10
M10	20
M12	40



Sommaire

Couple réel	25
Définitions	26
Avant-propos	27
Utilisation	27
Champ d'application	27
Consignes générale de sécurité et limites de conduite	28
Garantie	30
Transportabilité	31
Manipulation	33
Transport du fauteuil	33
Options – Profondeur du siège	33
Options - Freins	34
Options - Palettes	34
Options – Roues avant	35
Options – Position de roues avant	35
Options - Position horizontale de la plaque d'axe	36
Options - Dossier	36
Options – Accoudoir	37
Options - Anti-bascule	38
Ceinture pelvienne	38
Options - Porte-canne	39
Options - Tablette thérapeutique	39
Options – Manipulation d'une seule main	39
Options - Barre de stabilisation	40
Options – Appui-tête	40
Options – Roulettes de transit	40
Pneus et montage des pneus	40
Plaque signalétique	41
Maintenance et entretien	41
Dépannage	42
Mise au rebut / Recyclage des matériaux	42
Caractéristiques techniques	42








REMARQUE :

Il est possible que les fauteuils illustrés et décrits dans le présent manuel ne soient pas complètement identiques au modèle que vous avez acheté. Toutefois, toutes les instructions fournies dans le présent manuel sont valables pour votre matériel, malgré d'éventuelles différences minimales.

Le fabricant se réserve le droit de modifier sans préavis les poids, mesures et autres données techniques indiquées dans le présent manuel. Tous les chiffres, dimensions et capacités indiqués dans ce manuel sont approximatifs et ne constituent pas des caractéristiques.

Définitions

3.1 Définitions des termes employés dans le manuel

Terme	Définition
 DANGER !	Indication d'un risque potentiel de blessures sérieuses ou de mort en cas de non-respect des consignes
 AVERTISSEMENT !	Indication d'un risque potentiel de blessure en cas de non-respect des consignes
 ATTENTION !	Indication que le matériel peut être endommagé si le conseil fourni n'est pas suivi
REMARQUE :	Conseil d'ordre général ou pratique recommandée
	Référence faite à d'autres manuels
	Bandage
	Pneus souples
	Incompatible

REMARQUE :

Il vous est conseillé de noter dans l'encadré prévu ci-dessous les coordonnées du technicien chargé de votre service après-vente. En cas de panne, contactez-le en lui donnant le plus d'informations possible sur la nature de la panne pour qu'il puisse vous aider efficacement et rapidement.

Tampon et signature du revendeur

Avant-propos

Chère cliente, cher client,

Vous avez choisi un produit de SUNRISE MEDICAL de grande qualité. Nous nous en réjouissons.

Ce manuel d'utilisation vous fournira de nombreux conseils et suggestions de sorte que votre produit deviendra pour vous un partenaire familier digne de confiance.

Pour Sunrise Medical, être proche de nos clients est une priorité. C'est pourquoi, nous tenons à vous tenir informé de toutes nos nouveautés, actuelles et à venir. Être proche de nos clients signifie, assurer un service rapide, avec le moins de formalités administratives possible et entretenir une bonne relation avec eux. Que vous souhaitiez commander des pièces de rechange ou des accessoires, ou encore poser des questions concernant votre fauteuil, nous sommes à votre service.

Notre objectif est que vous soyez satisfait de nos services. Chez Sunrise Medical, nous travaillons en permanence au développement de nos produits. Ainsi, des modifications quant à la forme, à la technique et à l'équipement peuvent être apportées à notre gamme de produits. Aucune réclamation ne pourra donc être adressée au sujet des informations et illustrations de ce manuel d'utilisation.

Le système de gestion de SUNRISE MEDICAL est certifié ISO 13485 et ISO 14001.

CE En sa qualité de fabricant, SUNRISE MEDICAL, déclare que ce fauteuil est conforme au règlement sur les dispositifs médicaux (2017/745).

REMARQUE :

Conseil d'utilisation générale.

Le non-respect des présentes instructions peut causer des blessures physiques, l'endommagement du matériel ou la dégradation de l'environnement.

Avis à l'utilisateur et/ou au patient : Tout incident grave en rapport avec le dispositif doit être signalé au fabricant et aux autorités compétentes de l'État membre dans lequel réside l'utilisateur et/ou le patient.

Adaptations spéciales pour B4Me

Afin de vous assurer que votre produit B4Me fonctionne de manière performante comme prévu par le fabricant, Sunrise Medical vous recommande vivement de lire et de comprendre toutes les informations utilisateur fournies avec votre produit B4Me avant de l'utiliser pour la première fois.

Sunrise Medical recommande également que les informations utilisateur ne soient pas jetées après leur lecture, mais qu'elles soient conservées en toute sécurité afin d'être consultées ultérieurement.

Combinaison de dispositifs médicaux

Il est possible de combiner le présent dispositif médical avec un ou plusieurs autres dispositifs ou produits. Vous trouverez sur www.Sunrisemedical.fr toutes les informations utiles sur les combinaisons possibles. Toutes les combinaisons présentées ont été validées et sont conformes aux exigences générales en matière de sécurité et de performances énoncées dans annexe I No. 14.1 du règlement 2017/745 relatif aux dispositifs médicaux.

Vous trouverez des conseils sur la combinaison, relatifs par exemple au montage, sur www.SunriseMedical.fr

Adressez-vous à notre service après-vente SUNRISE MEDICAL, compétent et agréé, pour toute question concernant l'utilisation, la maintenance ou la sécurité de votre fauteuil roulant.

En l'absence de revendeur près de chez vous ou si vous avez des questions relatives à la sécurité des produits et des rappels de produits, contactez Sunrise Medical par écrit ou par téléphone, ou rendez-vous sur www.sunrisemedical.fr.

Sunrise Medical SAS
ZAC de la Vrillonnerie
17 Rue Michaël Faraday
37170 Chambray-Lès-Tours
Tel : +33 (0) 2 47 55 44 00
Email: info@sunrisemedical.fr
www.sunrisemedical.fr



N'UTILISEZ PAS VOTRE FAUTEUIL AVANT D'AVOIR LU ET COMPRIS CE MANUEL.

Utilisation

Les fauteuils roulants sont exclusivement destinés aux utilisateurs dans l'incapacité de marcher ou à mobilité restreinte et pour leur propre usage, qu'ils soient capables de faire avancer leur fauteuil seuls ou qu'ils soient poussés par une tierce personne (un accompagnateur), à leur domicile et à l'extérieur.

La charge maximale (à savoir le poids de l'utilisateur et des accessoires éventuellement embarqués) est indiquée sur la plaque signalétique apposée sur le croisillon ou sur la barre de stabilisation, en dessous du siège.

La garantie n'est valable que si le produit est utilisé dans les conditions spécifiées et pour l'usage pour lequel il est prévu. La durée de vie anticipée de ce produit est de 5 années. N'utilisez ET n'installez aucun composant tiers sur le fauteuil, à moins qu'ils n'aient été formellement approuvés par Sunrise Medical.

DANGER !

- N'équipez le fauteuil d'aucun dispositif électronique non approuvé.
- N'équipez le fauteuil d'aucun dispositif de mobilité électrique ou mécanique, vélo à main ou tout autre dispositif non approuvé susceptible de modifier l'usage prévu du fauteuil ou sa structure.
- L'ajout de dispositifs médicaux supplémentaires nécessite l'approbation de Sunrise Medical.

Champ d'application

Indications

De par la diversité des options de montage et sa conception modulaire, ce fauteuil convient pour les personnes dans l'incapacité de marcher ou à mobilité restreinte, suite à :

- Une paralysie
- La perte d'un membre (amputation de la jambe)
- La difformité d'un membre
- Des contractures/blessures aux articulations
- Pour les maladies telles que les déficiences cardiaques et circulatoires, la perturbation de l'équilibre ou la cachexie, les profils de maladies neurologiques, la dystrophie musculaire, l'hémiplégie ainsi que pour les personnes âgées qui ont encore de la force dans le haut du corps.

Contre-indications

Le fauteuil roulant ne peut être utilisé sans accompagnateur dans les cas suivants :

- Trouble de la perception
- Déséquilibre
- Perte des deux bras, sans le soutien d'un soignant
- Contracture articulaire ou dommages articulaires au niveau des deux bras
- Incapacité à s'asseoir

REMARQUE :

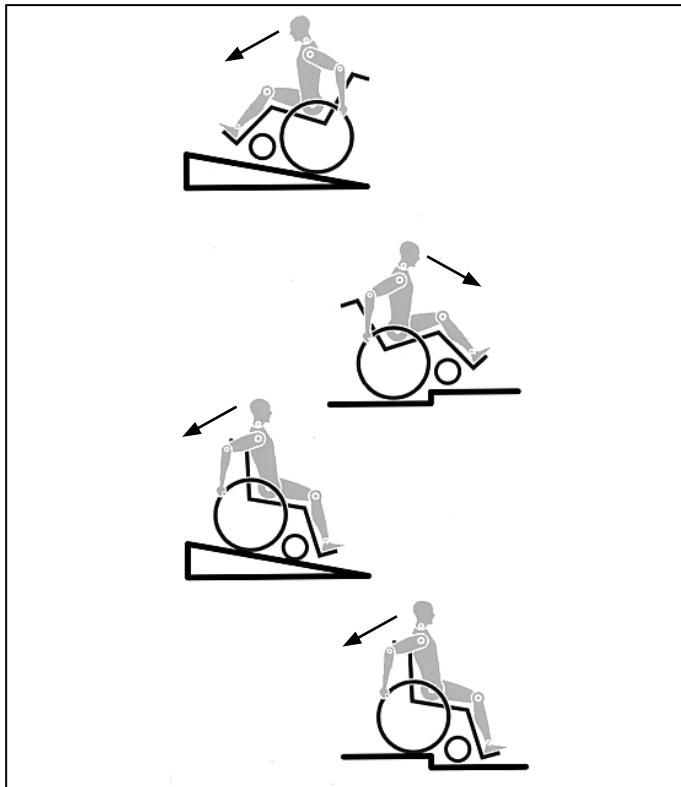
Il convient de noter que l'utilisation d'un fauteuil roulant exige un certain degré de capacités cognitives, physiques et visuelles. L'utilisateur doit être en mesure d'évaluer les conséquences de ses actions pendant l'utilisation du fauteuil roulant et, si nécessaire, les corriger. Ces capacités et l'utilisation sécurisée de composants supplémentaires fixés au fauteuil roulant ne peuvent être évaluées par le fabricant, Sunrise Medical. Nous déclinons toute responsabilité pour tout dommage découlant d'une telle situation.

Veillez prendre connaissance des consignes d'utilisation relatives au fauteuil roulant et aux composants accessoires embarqués. Communiquez à l'utilisateur les informations utiles sur l'utilisation sécurisée du fauteuil roulant et des composants accessoires embarqués. Communiquez à l'utilisateur les avertissements spécifiques qu'il est important de connaître et de respecter.

Sélectionner le bon fauteuil nécessite de prendre en compte des éléments tels que la taille de l'utilisateur, son poids, sa constitution physique et psychologique, son âge, son mode de vie et son environnement.

Etat de marche

Le fauteuil est prévu pour une utilisation à l'intérieur comme à l'extérieur, sur des surfaces sèches et relativement peu accidentées, propulsé par l'utilisateur lui-même ou un accompagnateur. Il n'est pas prévu pour une utilisation par temps orageux, pluie torrentielle, neige et givre ou autres conditions météo extrêmes.



La conception et la construction du fauteuil sont réalisées pour garantir une sécurité maximale. A l'échelle internationale, toutes les exigences applicables en matière de normes de sécurité sont respectées, voire dépassées. Toutefois, l'utilisateur peut se mettre en situation de danger en utilisant son fauteuil de façon incorrecte. Pour votre sécurité, vous devrez impérativement respecter les consignes suivantes.

Les altérations ou réglages non professionnels ou erronés augmentent le risque d'accidents. En tant qu'utilisateur de fauteuil roulant, vous participez à la circulation publique, sur routes ou trottoirs. Vous êtes par conséquent tenu de respecter le code de la route.

Lors de votre première utilisation du fauteuil, roulez prudemment. Familiarisez-vous avec l'utilisation de votre nouveau fauteuil roulant. Avant chaque utilisation de votre fauteuil, contrôlez impérativement :

- Les axes à déverrouillage rapide des roues arrière
- Le Velcro du siège et du dossier
- Les pneus, la pression et les freins.

Avant de modifier un quelconque réglage, il est important de lire le paragraphe correspondant du présent manuel d'utilisation.

Des nids de poule ou un sol irrégulier peuvent faire basculer le fauteuil roulant lors de la montée ou de la descente des pentes. Si une marche ou une pente est abordée de face, le corps doit être incliné vers l'avant.



DANGER !

- Ne dépassez JAMAIS la charge maximale de 125 kg Style X / 150 kg (essai de collision jusqu'à 136 kg) Style X Ultra combinée entre l'utilisateur et tout autre accessoire éventuellement embarqué. Veuillez noter les informations relatives au poids pour les options plus légères, lesquelles sont indiquées séparément. Toute charge supérieure pourrait endommager le fauteuil ou vous faire basculer, perdre le contrôle et entraîner de graves blessures pour vous et toute autre personne.
- Dans la pénombre, portez des vêtements clairs ou réfléchissants de sorte à être vu par les autres usagers de la route. Veillez à ce que les réflecteurs latéraux et arrière du fauteuil restent bien visibles. Il est également recommandé d'installer une lumière.
- Pour éviter les chutes et situations dangereuses, il est recommandé de vous entraîner et de vous familiariser avec votre nouveau fauteuil sur une surface plane offrant une bonne visibilité.
- Pour monter et descendre du fauteuil, ne prenez pas appui sur les palettes. Il convient au contraire de les rabattre et de les pivoter vers l'extérieur le plus possible. Placez-vous toujours le plus près possible de l'endroit où vous voulez vous asseoir.

- Utilisez toujours votre fauteuil de manière adéquate. Evitez par exemple de franchir des obstacles sans avoir préalablement ralenti (marche, bord de trottoir).
- Les freins d'immobilisation ne servent pas à ralentir le fauteuil. Ils empêchent votre fauteuil d'avancer involontairement. Quand vous vous tenez sur un terrain accidenté, utilisez impérativement vos freins d'immobilisation. Pensez toujours à actionner les deux freins simultanément, autrement votre fauteuil pourrait basculer.
- Changer le centre de gravité peut avoir un impact sur le comportement du fauteuil dont vous devez être conscient. Il est recommandé de vous entraîner, par exemple en pente ou lors du franchissement d'obstacles. Familiarisez-vous avec les différents comportements en présence d'un accompagnateur.
- Avec des réglages extrêmes (comme les roues arrière en position la plus avancée possible) et une posture inadéquate, le fauteuil risque de basculer, même sur une surface plane.
- Lorsque vous franchissez des côtes et des marches, penchez votre corps plus en avant.
- Lorsque vous descendez des côtes et des marches, penchez votre corps plus en arrière. Ne tentez jamais de monter ou de descendre une pente en diagonal.
- Evitez d'utiliser les escalators. En cas de chute, vous pourriez vous blesser gravement.
- N'utilisez pas le fauteuil sur des pentes de plus de 10° d'inclinaison. Le degré d'inclinaison maximum des pentes dépend de la configuration du fauteuil, des capacités de l'utilisateur et du style de conduite. Les capacités de l'utilisateur et son style de conduite ne pouvant être prédéfinis, le degré d'inclinaison maximum des pentes ne peut être déterminé. Il revient donc à l'utilisateur, assisté de son accompagnateur, de déterminer l'inclinaison maximale afin d'éviter tout risque de basculement. Il est vivement recommandé d'installer des roulettes anti-basculer pour les utilisateurs inexpérimentés.
- Des nids de poule ou un sol irrégulier peuvent faire basculer le fauteuil roulant lors de la montée ou de la descente des pentes.
- N'utilisez pas le fauteuil sur des terrains boueux ou verglacés.
- N'utilisez pas le fauteuil dans des zones interdites aux piétons.
- Pour éviter de vous blesser aux mains, ne placez pas vos doigts entre les rayons ou entre la roue arrière et le frein de la roue lorsque le fauteuil est en déplacement.
- Si vous utilisez une main courante métallique et freinez dans une longue pente ou pour réduire votre allure, le frottement peut chauffer la main courante et vous brûler les doigts.
- Monter ou descendre une pente latéralement augmente le risque de voir le fauteuil basculer sur le côté.
- Ne montez et descendez les escaliers que si vous êtes accompagné. Des équipements à cet effet sont à votre disposition, comme les rampes d'accès et les ascenseurs. Utilisez-les. En l'absence de tels équipements, deux personnes sont nécessaires pour faire basculer le fauteuil et lui faire franchir les marches une à une en le poussant, et non pas en le soulevant. Il est déconseillé de procéder à de telles manœuvres dans les escaliers avec des utilisateurs de plus de 100 kg.
- En général, en présence de roulettes anti-basculer, il convient de les régler de sorte qu'elles ne puissent heurter les marches, car cela pourrait entraîner une grave chute. Remplacez ensuite les roulettes anti-basculer à leur position normale.
- L'accompagnateur doit toujours tenir le fauteuil par les parties fixes et non pas par les parties amovibles, comme le repose-pied ou le protège-vêtement.
- Ce fauteuil n'est pas prévu pour être utilisé pendant des séances de musculation et/ou l'utilisation d'haltères. Utilisez uniquement du matériel prévu à cet effet.
- Ne soulevez pas le fauteuil en l'attrapant par les tubes du dossier, ni par les poignées.
- Lors de l'utilisation d'une rampe d'accès, pensez à positionner les roulettes anti-basculer (le cas échéant) en dehors de la zone à risque.
- Immobilisez toujours votre fauteuil à l'aide des freins lorsqu'il se trouve sur les surfaces accidentées ou lorsque vous montez dessus ou en descendez.

- Dans la mesure du possible, au cours d'un déplacement à bord d'un véhicule pour personnes handicapées, il est conseillé aux occupants de s'asseoir sur les sièges et d'utiliser le système de retenue approprié. C'est le seul moyen d'assurer une protection optimale aux occupants en cas d'accident. Si vous utilisez des éléments de sécurité proposés par SUNRISE MEDICAL et un système de sécurité spécifique, les fauteuils légers peuvent servir de siège pour le déplacement à bord d'un véhicule spécialement adapté. (Voir le chapitre sur "Transport").
- Selon le diamètre et le réglage des roues avant, ainsi que le centre de gravité du fauteuil, les roues avant peuvent se mettre à vibrer à mesure que la vitesse du fauteuil augmente. Les roues avant risquent alors de se bloquer et le fauteuil de basculer. Il est donc essentiel de régler correctement les roues avant (voir le chapitre "Roues avant"). Ne descendez pas une pente sans frein et déplacez-vous lentement. Il est recommandé aux utilisateurs inexpérimentés d'utiliser des roulettes anti-basculer.
- Les roulettes anti-basculer empêchent le fauteuil de basculer accidentellement vers l'arrière. En aucun cas, elles ne doivent remplacer les roulettes de transit et servir au transport d'une personne dans un fauteuil dont les roues arrière auraient été retirées.
- Si vous souhaitez atteindre un objet (placé devant, derrière ou latéralement par rapport au fauteuil), évitez de trop vous pencher afin de ne pas modifier le centre de gravité et risquer de faire basculer le fauteuil. La présence d'une charge supplémentaire (sac à dos ou objets similaires) sur les montants arrière du dossier peut avoir un impact sur la stabilité de votre fauteuil (surtout si le dossier est incliné en arrière) et peut faire basculer le fauteuil en arrière et entraîner des blessures.
- Les réglages de votre fauteuil, et plus particulièrement les réglages des composants relatifs à la sécurité, doivent être réalisés exclusivement par un revendeur agréé. Cette exigence concerne les freins d'immobilisation, les roulettes anti-basculer, l'angle d'inclinaison et la hauteur du dossier, la longueur de jambe inférieure, le centre de gravité, la ceinture sous-abdominale, le pincement et le carrossage des roues arrière, la hauteur du siège, ainsi que le pincement et la stabilité directionnelle de la fourche.
- Lors de l'utilisation d'accessoires de mobilité montés sur le fauteuil roulant, comme le handbike, la fonction assistée, etc., vérifiez que votre fauteuil est équipé des fourches appropriées à cet usage. N'hésitez pas à contacter votre revendeur en cas de doute.
- N'équipez le fauteuil d'aucun dispositif électronique, dispositif de mobilité électrique ou mécanique, vélo à main ou tout autre dispositif non approuvé susceptible de modifier l'usage prévu du fauteuil ou sa structure.
- L'ajout de dispositifs médicaux supplémentaires nécessite l'approbation de Sunrise Medical.
- À noter que dans certaines configurations, le fauteuil peut dépasser la largeur de 700 mm. Si tel est le cas, certaines issues de secours peuvent ne pas permettre le passage du fauteuil. Par ailleurs, le déplacement à bord des transports publics peut être difficile, voire impossible.
- Votre revendeur sera en mesure de vous fournir des informations et des consignes de sécurité supplémentaires.
- Pour les personnes amputées d'un ou des membres inférieurs, il est impératif d'utiliser les roulettes anti-basculer.
- Avant d'utiliser votre fauteuil, vérifiez la pression des pneus. Pour les roues arrière, la pression doit être au moins de 3,5 bars (350 kPa). La pression maximale est indiquée sur la jante des pneus. Le frein à débattement court ne fonctionne que si la pression des pneus est suffisante et si le réglage est correct (voir le chapitre sur les "Freins").
- Si les toiles du dossier et du siège sont abîmées, remplacez-les immédiatement.
- Soyez très vigilants avec les risques d'incendie, surtout avec les cigarettes allumées. Les toiles du dossier et du siège peuvent prendre feu.
- Si le fauteuil est exposé au soleil pendant une période prolongée, certaines parties du fauteuil (par ex. le châssis, les repose-jambes, les freins et le protège-vêtement) peuvent chauffer (>41°C).
- Vérifiez que les axes à déverrouillage rapide des roues arrière sont bien réglés et verrouillés. Si le bouton de l'axe à déverrouillage rapide n'est pas enfoncé, vous ne pouvez pas enlever la roue arrière.
- Évitez que vos vêtements se prennent dans les roues motrices.

AVERTISSEMENT !

- L'efficacité du frein à débattement court et des caractéristiques de conduite générales dépend de la pression des pneus. Le fauteuil sera considérablement plus léger et plus facile à manœuvrer si les pneus des roues arrière sont correctement gonflés et ont la même pression.
- Vérifiez la sculpture des pneus. N'oubliez pas que lorsque vous vous déplacez au milieu de la circulation, vous devez respecter toutes les réglementations relatives au code de la route.
- Faites attention de ne pas vous pincer les doigts lorsque vous procédez à des réglages du fauteuil.

AVERTISSEMENT !

RISQUE D'ÉTOUFFEMENT – Cette aide à la mobilité est composé de petites pièces qui, dans certaines conditions, peuvent présenter un risque d'étouffement pour les jeunes enfants.

Il est possible que les fauteuils illustrés et décrits dans le présent manuel ne soient pas complètement identiques au modèle que vous avez acheté. Toutefois, toutes les instructions fournies dans le présent manuel sont valables pour votre matériel, malgré d'éventuelles différences minimales.

Le fabricant se réserve le droit de modifier sans préavis les poids, mesures et autres données techniques indiquées dans le présent manuel. Tous les chiffres, dimensions et capacités indiqués dans ce manuel sont approximatifs et ne constituent pas des caractéristiques.

CELA N'AFPECTE EN AUCUN CAS VOS DROITS LEGAUX.

La garantie de Sunrise Medical* est détaillée dans les conditions de garantie suivantes.

Conditions de garantie :

1. Si une ou plusieurs pièces devaient être remplacées ou réparées suite à un vice de fabrication et/ou de matériel dans les 24 mois (5 ans pour le châssis ou le croisillon) suivant la livraison au client, la ou les pièces seront remplacées ou réparées gratuitement. La garantie ne couvre que les vices de fabrication.
2. Pour faire jouer la garantie, veuillez contacter le service client Sunrise Medical afin de préciser la nature du problème. En cas d'utilisation du fauteuil dans une zone située en dehors du territoire du service après-vente (revendeur) Sunrise Medical, les réparations ou remplacements seront assurés par un autre service après-vente désigné par le fabricant. Le fauteuil doit être réparé par un service après-vente désigné par Sunrise Medical.
3. Toute pièce réparée ou échangée dans le cadre de la garantie est couverte par la garantie pour la période restante conformément au point 1.
4. Concernant les pièces détachées d'origine installées ultérieurement et au frais du client, celles-ci sont couvertes par une garantie de 12 mois (à compter de l'installation), conformément aux présentes conditions de garantie.
5. La garantie ne peut être actionnée si la réparation ou l'échange du fauteuil ou d'une pièce découle de l'un des cas de figure suivants :
 - a. L'usure normale, notamment celle des batteries, des accoudoirs, de la garniture, des pneus, des patins de frein, etc.
 - b. Les anomalies découlant de la surcharge du produit. La charge maximale d'utilisation est indiquée sur l'étiquette CE.
 - c. Le produit n'a pas été entretenu ou révisé conformément aux recommandations du fabricant, telles qu'indiquées dans le manuel d'utilisation et/ou les notices d'entretien.
 - d. Les accessoires utilisés ne sont pas des accessoires d'origine.
 - e. Le fauteuil roulant - ou l'une de ses pièces - a été endommagé suite à un mauvais entretien, à un accident ou à une utilisation inadéquate.
 - f. Des changements/modifications non conformes aux spécifications du fabricant ont été effectués sur le fauteuil ou des pièces.
 - g. Les réparations ont été effectuées avant d'en avoir informé le service client.
6. Cette garantie est soumise à la loi du pays d'achat du produit auprès de Sunrise Medical*

* Le lieu Sunrise Medical depuis lequel le produit a été acheté.

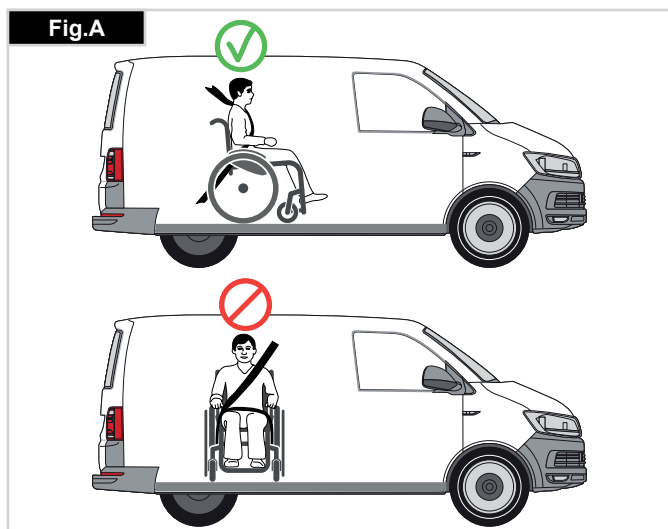
DANGER !

Il y a risque de blessures sérieuses ou de mort si ce conseil n'est pas respecté.

Transport de votre fauteuil roulant dans un véhicule :

Un fauteuil roulant arrimé dans un véhicule n'assurera pas le même niveau de sécurité que les sièges du véhicule. Il est toujours recommandé que l'utilisateur soit transféré au siège du véhicule. Sunrise Medical reconnaît qu'il n'est pas toujours facile de transférer l'utilisateur et dans une telle situation où l'utilisateur doit être transporté tout en étant dans son fauteuil roulant, il convient de suivre les recommandations suivantes :

1. Faites vous confirmer que le véhicule est correctement équipé pour transporter un passager dans un fauteuil roulant, et assurez-vous que la méthode d'accès/de sortie est convenable pour votre type de fauteuil roulant. Le sol du véhicule doit être suffisamment résistant pour supporter le poids de l'utilisateur avec celui du fauteuil roulant et de ses accessoires.
2. Suffisamment d'espace doit être disponible autour du fauteuil afin d'avoir un accès facile pour attacher, serrer et détacher le fauteuil roulant et le dispositif de retenue de l'occupant et les ceintures de sécurité.
3. Le fauteuil doit être placé dans le sens de la marche et être ancré par les points d'arrimage et le système de retenue et de fixation (conforme à la norme ISO 10542 ou SAE J2249) conformément aux instructions du fabricant du système de retenue.
4. L'utilisation du fauteuil à bord d'un véhicule motorisé dans une position autre que celle préconisée n'a pas fait l'objet de tests, ainsi le positionnement latéral du fauteuil ne doit être envisagé en aucun cas (Fig. A).
5. Le fauteuil doit être sécurisé par un système d'arrimage conforme à ISO 10542 ou SAE J2249 avec sangles avant non-réglables et sangles arrière réglables, qui utilisent typiquement des mousquetons/crochet en S et des boucles à ardillons. Ces dispositifs de retenue comprennent généralement 4 sangles individuelles qui sont attachées de chaque côté du fauteuil roulant.
6. Ce système d'arrimage doit être fixé au châssis principal du fauteuil roulant comme indiqué dans le schéma sur la page suivante, et non pas à tous points d'attache ou accessoires, ex. pas autour des rayons des roues, freins ou repose-pied.
7. Le système de fixation doit être attaché le plus possible à un angle de 45° et tendu conformément aux indications du fabricant.
8. Ne modifiez et ne remplacez pas les points d'ancrage du fauteuil, ni les composants structurels sans avoir préalablement demandé l'avis du fabricant, à défaut de quoi le fauteuil Sunrise Medical ne sera pas conforme pour le transport à bord d'un véhicule motorisé.



9. Les deux ceintures de retenue au niveau du bassin et du torse supérieur doivent être utilisées pour retenir le passager afin de réduire la possibilité de choc de la tête ou du torse avec les composants du véhicule et de risques graves de blessures à l'utilisateur et tout autre occupant du véhicule. (Fig. B) La ceinture de retenue du torse supérieur doit être montée au pilier "B" du véhicule - ne pas respecter ceci augmente le risque de blessures abdominales graves à l'utilisateur.

10. Un soutien de tête adéquate pour le transport (voir étiquette de l'appui-tête) doit être installé et doit être dans la position souhaitée à tout moment pendant le transport.

11. Les systèmes de maintien posturaux (sangles sous-abdominales, ceintures sous-abdominales) ne doivent pas servir de système de retenue dans un véhicule en déplacement, à moins qu'ils ne soient conformes à la norme ISO 7176-19 ou SAE J2249, ce qui doit être spécifiquement indiqué sur l'étiquette.

12. La sécurité de l'utilisateur pendant son transport dépend de la vigilance de la personne sécurisant le système d'arrimage et cette personne devrait avoir reçu des instructions appropriées et/ou une formation sur leur utilisation.

13. Dans la mesure du possible, retirez du fauteuil et rangez tous les accessoires et équipements auxiliaires, comme par exemple : Les cannes, les coussins amovibles et les tablettes.

14. Vous ne devez pas utiliser les repose-jambe articulés/élévateurs en position élevée quand le fauteuil roulant et l'utilisateur sont transportés et quand le fauteuil roulant est retenu par des dispositifs de retenue pour le transport de fauteuils roulants et de son passager.

15. Les dossiers inclinables doivent être remis en position verticale.

16. Les freins manuels du fauteuil doivent impérativement être enclenchés.

17. Les dispositifs de retenue doivent être montés au pilier "B" du véhicule et ne doivent pas être retenus par des composants du fauteuil roulant tel les accoudoirs ou les roues.

REMARQUE : Le Breezy Style ne peut servir de siège à bord d'un véhicule que si le kit de transport est monté sur le châssis arrière. Pour le Royaume-Uni, ce kit est monté DE SÉRIE mais pour les autres pays, le kit est en OPTION et doit être commandé.

DANGER !

- Le kit de transport doit être monté sur le fauteuil avant d'utiliser ce dernier pour transporter un passager à bord d'un véhicule.
- Le kit de transport doit être installé par un revendeur agréé Sunrise Medical.



Instructions pour le système de retenue de l'occupant :

1. La ceinture de retenue du bassin doit être fixée en position basse à travers le bassin de façon à ce que l'angle de la ceinture du bassin soit dans la zone de préférence entre 30 et 75 degrés par rapport à l'horizontal.

Un plus grand angle au sein de la zone de préférence est recommandé c'est-à-dire plus proche de 75°, mais sans jamais cependant dépasser cette limite. (Fig. C)

2. La ceinture thoracique doit passer par-dessus l'épaule et en travers de la poitrine, comme illustré aux Fig. D et E
Les ceintures de retenue doivent être serrées le plus possible, tout en respectant le confort de l'utilisateur.

La sangle de la ceinture de sécurité ne doit pas être entortillée pendant son utilisation.

La ceinture thoracique doit passer par-dessus l'épaule et en travers de l'épaule, comme illustré aux Fig. D et E.

3. Les points de retenue au fauteuil sont le côté interne avant du châssis juste au-dessus de la roue avant et l'arrière du châssis. Les sangles sont fixées autour des flancs de châssis, à l'intersection des tubes de châssis horizontaux et verticaux. (Voir Fig. G-H).

4. Le symbole d'arrimage (Fig. F) sur le châssis du fauteuil roulant indique la position des sangles de retenue du fauteuil roulant. Les sangles sont ensuite tendues après que les sangles avant aient été fixées pour sécuriser le fauteuil roulant.

Positionnement du dispositif d'arrimage sur le fauteuil roulant :

1. Emplacement des étiquettes d'arrimage à l'avant et à l'arrière (Fig. G - H).

Poids minimum de l'utilisateur 22 kg :

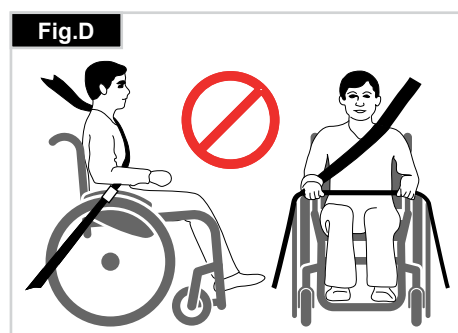
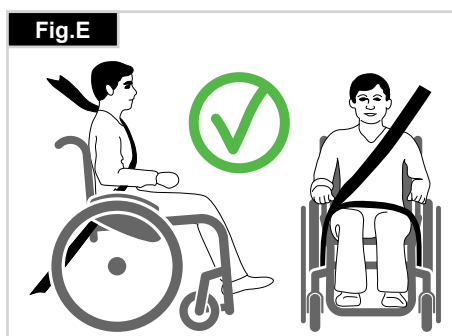
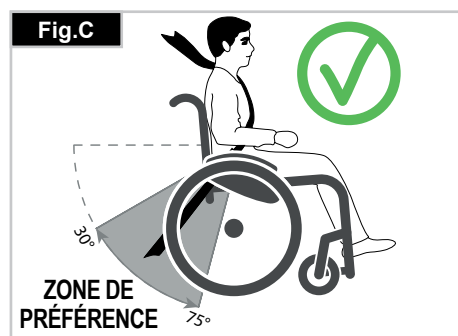
Si l'utilisateur devant être transporté est un enfant pesant moins de 22 kg et si le véhicule utilisé compte moins de huit (8) passagers assis, il est recommandé d'utiliser un dispositif de retenue pour enfants conforme au règlement 44 de la CEE-ONU.

Ce type de dispositif de retenue est un moyen de retenue plus efficace que les dispositifs à trois points, et certains dispositifs de retenue pour enfants assurent également un support postural supplémentaire afin de maintenir la position de l'enfant lorsqu'il est assis.

Les parents ou toute autre personne s'occupant de l'enfant peut, selon le cas, décider de laisser l'enfant dans son fauteuil roulant pendant le transport en raison du niveau de contrôle de la posture ou du niveau de confort assuré par les réglages du fauteuil.

Dans ce cas, nous vous invitons à procéder à une évaluation des risques par le professionnel de santé qui vous suit ou par toute personne compétente dans ce domaine.

Poids maximum de l'utilisateur : 136 kg.



Manipulation

Pliage du fauteuil

Enlevez le coussin de siège et la coque du dossier du fauteuil et rabattez le ou les repose-pieds (selon s'il s'agit d'une palette monobloc ou de deux palettes individuelles). Attrapez la toile du siège ou les tubes de support du siège en plaçant vos doigts au centre et tirez vers le haut. Le fauteuil se plie alors. Pour gagner un maximum de place, afin par exemple de ranger le fauteuil dans le coffre de la voiture, vous pouvez enlever les repose-pieds (selon modèle). Ouvrez le verrou et rabattez le repose-pieds latéralement. Il suffit ensuite de sortir le repose-pieds de son tube de logement (Fig. 1.0).



Transport

Pour déplacer votre fauteuil, soulevez-le en l'attrapant par la partie frontale du croisillon et par les poignées.

Dépliage du fauteuil

Appuyez sur les tubes de siège (voir figure). Le fauteuil roulant se déplie. Maintenant, pressez les tubes du siège dans les supports. Cette opération s'effectue plus facilement quand on bascule légèrement le fauteuil. La roue arrière est libérée et le fauteuil se déplie plus facilement. **Faites attention de ne pas vous coincer les doigts dans les tubes de traverse.** Remplacez le coussin du siège (Fig. 2.0).



Transport du fauteuil

Lorsque le fauteuil est transporté inoccupé à bord d'un véhicule motorisé, il convient de l'arrimer ou de l'attacher.

Axes à déverrouillage rapide des roues arrière (Fig. 3.0)

Les roues arrière sont démontables pour obtenir un fauteuil aussi compact que possible. Les roues arrière doivent être munies d'axe à déverrouillage rapide. Les roues peuvent être démontées ou montées sans outils. Pour démonter les roues, pressez sur le bouton d'arrêt (1) et retirez la roue arrière.

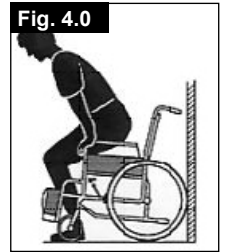


⚠ ATTENTION !

Lors du montage, appuyez sur le bouton de l'axe à déverrouillage rapide et insérez l'axe dans le canon, tout en conservant le bouton pressé. Relâchez le bouton et la roue est bloquée. Le bouton d'arrêt doit revenir dans sa position de départ.

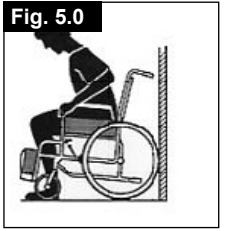
Vous asseoir dans votre fauteuil par vous-même (Fig. 4.0)

- Placez le fauteuil contre le mur ou contre un meuble relativement lourd ;
- Enclenchez les freins ;
- Remontez les palettes ;
- Abaissez-vous lentement jusqu'à ce que vous soyez assis dans votre fauteuil ;
- Rabaissez les palettes et placez vos pieds dessus, avec la sangle talonnière derrière.



Descendre de votre fauteuil par vous-même (Fig. 5.0)

- Enclenchez les freins ;
- Remontez les palettes ;
- Posez une main sur chaque accoudoir, penchez-vous légèrement vers l'avant de sorte à basculer le poids de votre corps vers l'avant du fauteuil, posez fermement les deux pieds au sol, l'un derrière l'autre, redressez-vous en poussant sur vos bras.



⚠ AVERTISSEMENT !

Ne vous tenez jamais debout sur les palettes car cela aurait pour effet de faire basculer le fauteuil. Il est plus facile et moins risqué de relever les palettes ou de les retirer complètement lorsque vous montez et descendez de votre fauteuil.

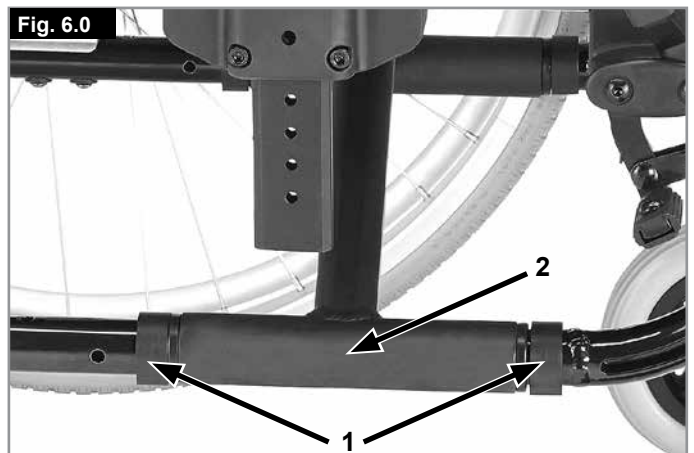
Options – Profondeur du siège

PROFONDEUR D'ASSISE

Retirez les clips (1), pour déplacer le tube de croisillon (2) le long du châssis, afin de modifier la profondeur du siège (selon la position des tubes arrière).

Vérifier que les clips (1) se ré-enclenchent bien dans les orifices prévus sur le châssis.

Pour garder le châssis le plus compact possible, vous pouvez également régler la profondeur du siège à l'aide des tubes du dossier (410 - 460 mm par incréments de 25 mm). Pour cela, retirez les vis (1 et 2) des fixations des tubes de dossier. Retirez les roues et les accoudoirs et vérifiez que le croisillon est à la position désirée (faites-le glisser en suivant la procédure décrite ci-dessus). Déplacez les tubes arrière à la position désirée et revissez toutes les vis. Placez le tube de logement des accoudoirs à la position appropriée, (Fig. 6.0).



Options - Freins

Freins

Le fauteuil est équipé de deux freins d'immobilisation. Les freins agissent directement sur les pneus. Pour immobiliser votre fauteuil, serrez les deux leviers de freinage jusqu'à la butée avant. Tirez le levier de freinage en arrière pour le relâcher.

L'effet de freinage diminue quand :

- Les pneus sont usés
- La pression des pneus est trop faible
- Les pneus sont mouillés
- Les freins sont mal réglés.

Les freins d'immobilisation ne sont pas destinés à être utilisés comme des freins de service. N'actionnez pas les freins en marche. Freinez toujours à l'aide des mains courantes. Veillez à ce que l'écartement entre le frein et le pneu soit conforme à la valeur indiquée. Pour régler, dévissez la vis et réglez le bon intervalle. Resserrez de nouveau la vis (Fig. 7.0 + 8.0).

⚠ ATTENTION !

Après avoir procédé au réglage des roues arrière, vérifiez toujours l'intervalle avec les freins d'immobilisation. Réajustez si nécessaire.

Rallonge du levier de frein

La rallonge du levier de frein est amovible ou repliable. La rallonge vous permet de déployer moins d'efforts pour actionner les freins (Fig. 9.0).

⚠ ATTENTION !

Plus les freins seront montés près de la roue, plus l'effort à fournir pour les actionner sera grand. Cela pourrait casser la rallonge du levier de frein !

⚠ ATTENTION !

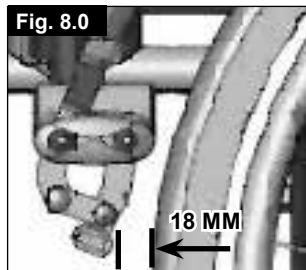
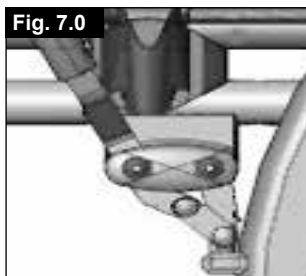
Veillez à ne pas prendre appui sur la rallonge du levier lorsque vous montez ou descendez du fauteuil, car vous risqueriez de la casser ! Les éclaboussures d'eau sur les pneus peuvent provoquer un dysfonctionnement des freins.

Freins à tambour

Les freins tambour permettent à l'accompagnateur de freiner en toute sécurité et de manière aisée. Ils peuvent être également montés avec un levier de verrouillage (1) pour éviter qu'ils ne se desserrent accidentellement. Vous devez entendre le clic du levier de blocage lors de son enclenchement. Le gonflage des pneus n'a aucune incidence que les freins à tambour. Le fauteuil est immobilisé si les freins à tambour sont enclenchés, (Fig. 10.0).

⚠ ATTENTION !

Ne confiez le réglage du frein à tambour qu'à un revendeur professionnel.



Options - Palettes

Palettes :

Les repose-pieds peuvent être rabattus pour monter et descendre plus facilement du fauteuil.

Longueur de la jambe inférieure :

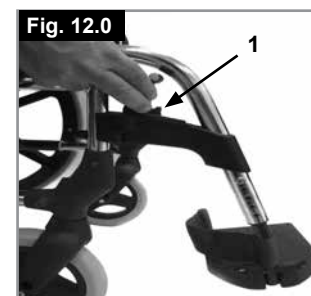
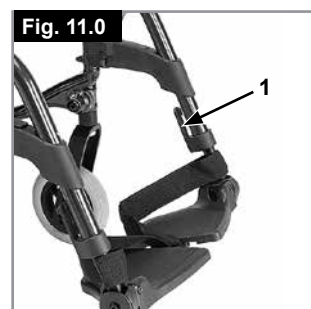
Pour les utilisateurs de grande taille, la palette peut être abaissée à la position désirée à l'aide des vis (1). Il suffit pour cela de dévisser les vis, de placer les tubes à la position désirée, puis de resserrer les vis (voir la section sur les couples de serrage). Il doit également y avoir un minimum de 25 mm entre le repose-pied et vos talons, (Fig. 11.0).

Repose-pieds et loquet

Le repose-jambes est rabattable sous le siège ou vers l'extérieur. Lors du montage du repose-pieds, les repose-pieds doivent être orientés vers l'intérieur ou l'extérieur. Faites-le ensuite pivoter vers l'intérieur jusqu'à ce qu'il s'enclenche. Pour retirer le repose-jambes, tirez sur le levier (1), faites pivoter les repose-pieds vers l'intérieur ou l'extérieur et retirez-le en soulevant. Assurez-vous que le repose-pied est bien enclenché (Fig. 12.0).

⚠ ATTENTION !

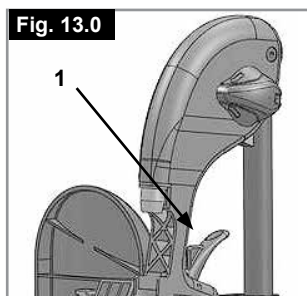
- Ne jamais soulever ou porter le fauteuil en l'attrapant par le repose-jambes.
- Pour monter et descendre du fauteuil, ne prenez pas appui sur les palettes. Il convient au contraire de les relever préalablement ou de basculer le repose-pied vers l'extérieur le plus possible.



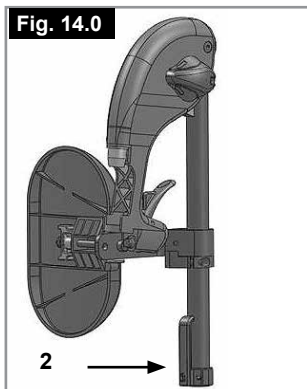
Repose-jambes (en option)

(Fig. 13.0 - 15.0)

Pour retirer le repose-jambes, tirez sur le levier (1), faites pivoter la palette vers l'extérieur, puis soulevez et retirez le repose-jambe.

**Réglage de la hauteur :**

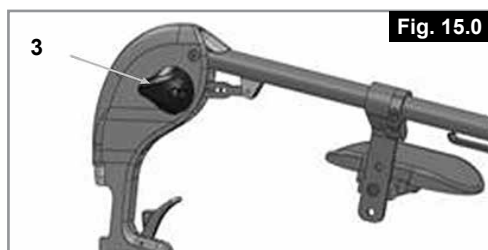
La longueur de la jambe inférieure peut se régler en desserrant la vis (2). Réglez à la hauteur désirée, puis resserrez la vis.

**ATTENTION !**

La distance entre la palette et le sol doit être d'au moins 40 mm.

Réglage de l'inclinaison :

Enfoncez d'une main le levier (3) vers le bas tandis que vous soutenez le repose-jambes avec l'autre main. Une fois l'angle d'inclinaison souhaité obtenu, relâchez le levier. Le repose-jambes s'enclenche alors dans l'une des positions prédéfinies.

**ATTENTION !**

- Pendant que vous relevez ou abaissez les repose-pieds, veillez à ne pas vous prendre les doigts dans le mécanisme de réglage situé entre le châssis et les pièces mobiles du repose-pieds.
- Ne jamais soulever ou porter le fauteuil en l'attrapant par les repose-pieds.
- Ne vous pincez pas les doigts !
- Ne mettez pas vos doigts dans le mécanisme de réglage, entre les pièces amovibles des repose-pieds lorsque vous levez ou abaissez ce dernier.

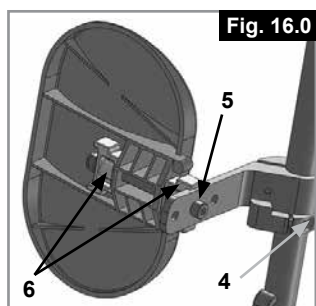
Réglage de l'appui-mollet

Vous pouvez régler l'appui-mollet de la façon suivante :

Hauteur : Dévissez le boulon (4 Fig. 16.0) et déplacez la patte de serrage à la position désirée. En pivotant la patte de serrage, vous pouvez également régler l'angle d'inclinaison.

Profondeur : Dévissez le boulon (5) et déplacez l'appui-mollet à la position désirée.

Largeur : Dévissez le boulon (5) et placez les entretoises (6) derrière l'appui-mollet de sorte à obtenir la position désirée.

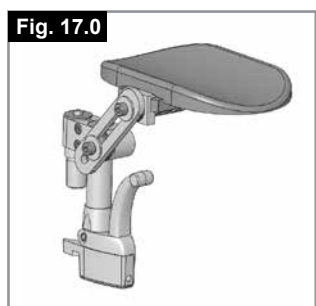
**ATTENTION !**

Vérifiez que les fixations sont toujours bien serrées.

Support pour amputation

(Fig. 17.)

Le support pour personne amputée se règle dans toutes les directions, selon les besoins.

**Options – Roues avant****Roues avant, adaptateur de roue avant, fourche de roue avant**

Le fauteuil peut tirer légèrement à droite ou à gauche ou les roues avant peuvent avoir du jeu. Cela peut être dû aux raisons suivantes :

- Mauvais réglage du déplacement avant et/ou arrière de la roue.
- Mauvais réglage de l'angle des roues avant.
- Gonflage insuffisant des roues avant et/ou des roues arrière. Le roulement des roues en est gêné.

Le fauteuil ne pourra avancer droit si les roues avant sont mal réglées. Les réglages des roues avant doivent toujours être confiés à un revendeur agréé. En cas de modifications de la position de la roue arrière, les réglages du support de fourche et du frein doivent être contrôlés.

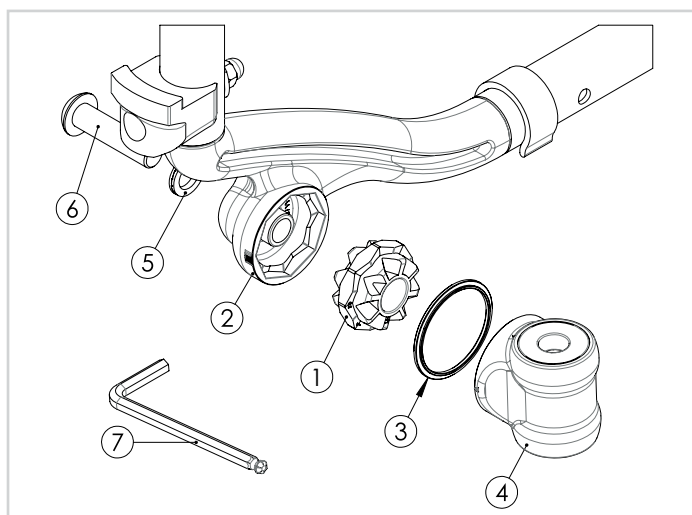
La hauteur du siège est déterminée par la position des roues avant et des roues arrière. La hauteur du siège peut être ajustée en modifiant la position des roues arrière et des roues avant (voir la matrice de hauteur du siège à la page 14).

ATTENTION !

Après avoir réglé la hauteur du siège, vérifiez d'avoir bien revissé toutes les vis et d'avoir ajusté les freins d'immobilisation.

Options – Position de roues avant**Description**

1. Rondelle dentelée 2. Roue avant 3. Anneau en plastique
4. Adaptateur de roue avant 5. Rondelle 6. Vis 7. Clé hexagonale

**Fig. A**

Sélectionnez la position de réglage et le côté de la rondelle dentelée (GAUCHE/DROIT).

A1 côté A (pos. 1, Pos. 2)

A2 côté B (pos. 3, Pos. 4)

Remarque 1 : (se reporter au tableau de configuration pour sélectionner la position de réglage pour la hauteur d'assise)

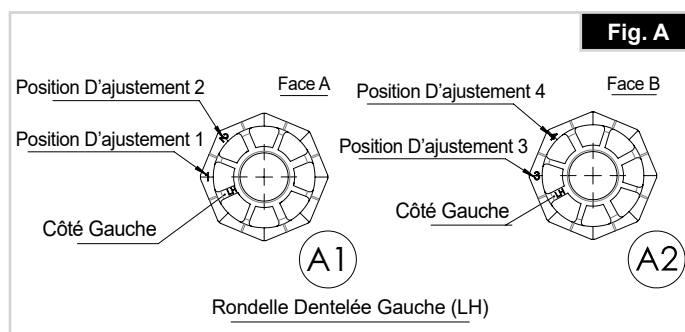


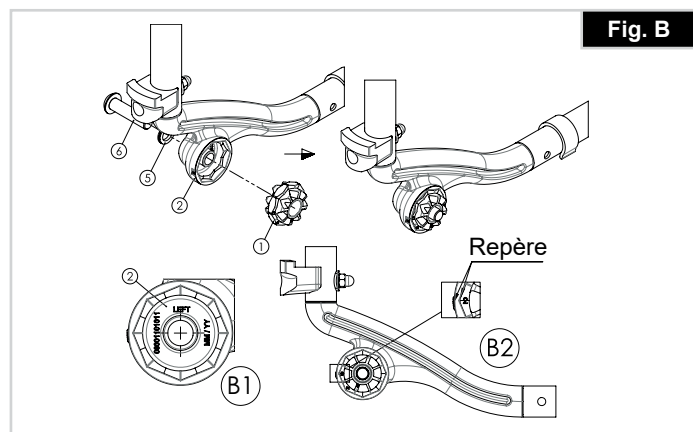
Fig. B

Insérez la rondelle dentelée (1) à l'intérieur du support de la roue avant (2).

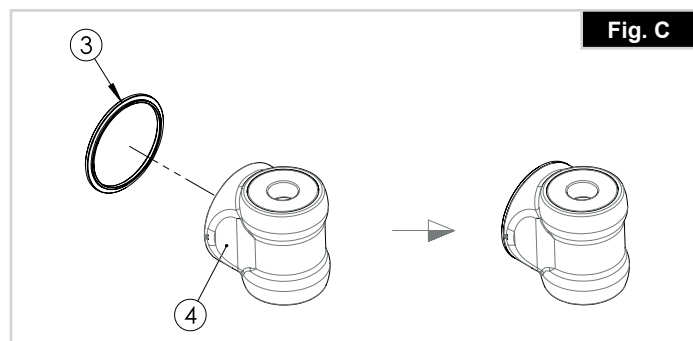
B1- le côté de la rondelle dentelée (1) doit correspondre au côté du support de la (2) roue avant.

B1- le numéro de réglage de la rondelle dentelée doit correspondre à la référence du support.

B3- passez la vis à travers la rondelle et l'orifice (5) de la roue (2).

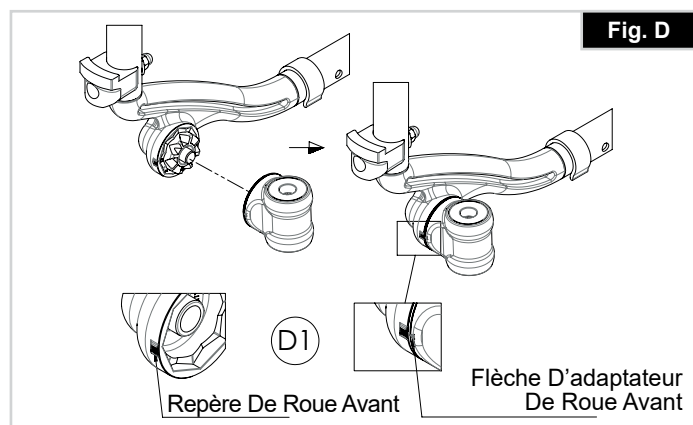
**Fig. B****Fig. C**

Insérez l'anneau en plastique (3) à l'intérieur de l'adaptateur de roue avant (4).

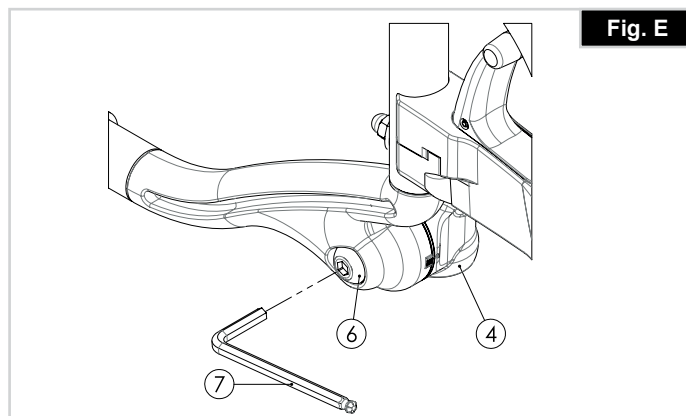
**Fig. C****Fig. D**

Assemblez C avec la rondelle dentelée.

D1- la flèche de l'adaptateur de (4) roue avant doit correspondre à la référence de la roue avant.

**Fig. D****Fig. E**

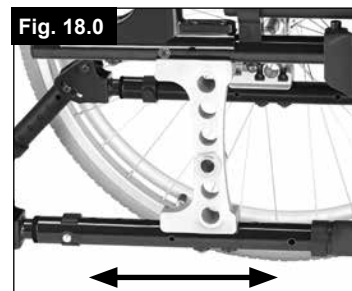
Avec la longue clé hexagonale (n°6) (7), serrez la vis (6) et l'adaptateur de roue avant en (4) appliquant le couple de serrage recommandé.

**Fig. E**

Options - Position horizontale de la plaque d'axe

Vous pouvez régler la plaque d'axe vers l'avant pour obtenir une meilleure manœuvrabilité ou vers l'arrière pour une plus grande stabilité (Fig. 18.0).

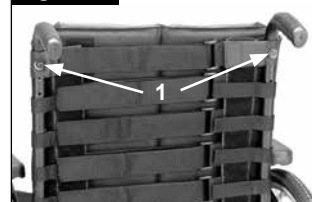
Plus l'empattement est important, moins le fauteuil risque de basculer.

**Fig. 18.0**

Options - Dossier

Dossier à hauteur réglable

Vous pouvez régler la hauteur du dossier sur 3 positions différentes. Dévissez et retirez le boulon (1), puis placez la toile à la position désirée. Revissez les boulons (Fig. 19.0).

Fig. 19.0

Dossier cassant

Dépliage du dossier : Pour redresser le dossier, poussez les poignées vers le haut et vers l'avant jusqu'à ce qu'elles s'enclenchent, (Fig. 20.0).

Fig. 20.0

⚠ AVERTISSEMENT !

Tenez vos doigts et tout autre objet éloignés du mécanisme pliant lorsque vous pliez le dossier afin d'éviter toute blessure ou endommagement.

Pliage du dossier :

Le dossier peut être plié afin de faciliter l'entreposage du fauteuil, (Fig. 22.0).

⚠ ATTENTION !

Ne pliez pas le dossier lorsque l'utilisateur est appuyé contre car cela pourrait endommager le levier.

Pour plier le dossier, tenez-vous derrière le fauteuil et appuyez sur les deux petits leviers (Fig. 21.0) situés de chaque côté du dossier (juste au-dessus des accoudoirs). Abaissez le dossier.

Dossier inclinable (0° - 30°)

En tirant sur les 2 leviers (1) simultanément, le dossier est libéré. Vous pouvez alors le régler à la position désirée.

En relâchant les deux leviers (1) vous verrouillez automatiquement le dossier à la position où il se trouve (Fig. 22.0).

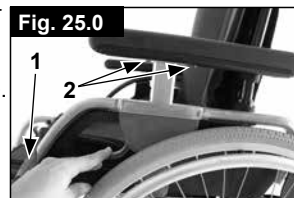


Accoudoir, relevable, amovible et avec manchettes courtes ou longues, à hauteur réglable

Vous pouvez régler la hauteur de l'accoudoir de la façon suivante.

Abaissez le levier et placez l'accoudoir à la hauteur désirée. Relâchez le levier et appuyez sur l'accoudoir jusqu'à ce qu'il s'enclenche. Vérifiez que l'accoudoir est bien enclenché.

Pour relever l'accoudoir, enfoncez le levier (1) de manière à libérer le protège-vêtement.



Vous pouvez régler la longueur de l'accoudoir. Pour cela, dévissez les vis (2), placez l'accoudoir à la position désirée, puis resserrez les vis (Fig. 25.0).

⚠ ATTENTION :

- Ne jamais soulever le fauteuil par les accoudoirs ou les protège-vêtements.
- Si le fauteuil est doté de roues de 24 pouces, l'accoudoir doit être rehaussé d'un cran.

Accoudoir réglable en hauteur avec outil

Installation : Glissez le montant dans le tube de logement jusqu'à ce qu'il heurte le fond

Réglage de la hauteur :

Glissez le montant hors du tube de logement. Réglez la position de la bague de réglage de la hauteur (1). Retirez pour cela la vis (2) et déplacez la bague à la position désirée. Remettez la vis et resserrez-la. Glissez à nouveau le montant dans le tube de logement, (Fig. 26.0).

Position de la manchette :

Réglez la position de la manchette. Desserrez pour cela les vis (3), puis déplacez la manchette à la position désirée. Resserrez les vis (Fig. 26.0).

Réglage du tube de logement de l'accoudoir

Vous pouvez régler le degré de serrage du tube de logement de l'accoudoir au moyen des 2 vis (1) - (Fig. 27.0).

Options – Accoudoir

Accoudoir standard, relevable, amovible avec manchettes courtes ou longues

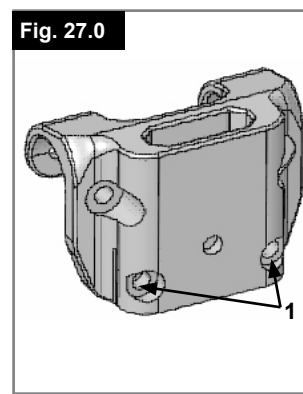
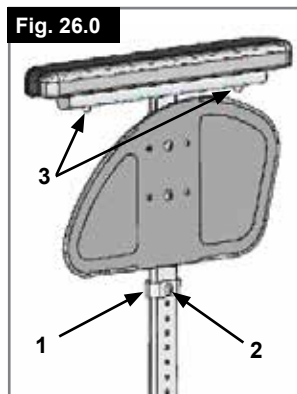
Le protège-vêtement à bords arrondis permet de plus vous rapprocher d'une table. Pour relever l'accoudoir, enfoncez le levier (1) de manière à libérer le protège-vêtement (Fig. 23.0 + 24.0).

La hauteur de l'accoudoir (2) peut être réglée en plaçant le support d'entretoise à la position désirée. Pour cela, dévissez les vis, déplacez le support d'entretoise et resserrez le vis. Vous pouvez régler la longueur de l'accoudoir en dévissant les vis (3), puis en déplaçant l'accoudoir à la position désirée. Revissez les vis (Fig. 24.0).



⚠ ATTENTION :

- Ne jamais soulever le fauteuil par les accoudoirs ou les protège-vêtements.
- Veillez à ne pas vous coincer les doigts lorsque vous réglez la hauteur de la manchette.



ACCOUDOIRS À HAUTEUR RÉGLABLE

Pour régler la hauteur, tirez sur le levier (1) et poussez l'accoudoir à la hauteur désirée. Vérifiez ensuite que le levier (1) s'enclenche bien en place. Le retrait de l'accoudoir est réalisé de la même façon.



Pour enlever complètement l'accoudoir, poussez le levier (2). Lorsque vous installez l'accoudoir, le levier (2) doit également être levé.

Vérifiez toujours que l'accoudoir s'enclenche bien dans le tube de logement. (Fig. 28.0)

Options - Anti-bascule

Roulettes anti-bascule

Les roulettes anti-bascule assurent aux utilisateurs inexpérimentés une sécurité renforcée pendant l'apprentissage de leur fauteuil. Ils empêchent le fauteuil de basculer vers l'arrière, (Fig. 29.0).

En appuyant sur le bouton du démontage rapide (1), les roues de secours peuvent être remontées ou enlevées. Il doit également y avoir un écart minimum de 30 mm à 50 mm entre le sol et la roulette.

Vous devez faire pivoter les roulettes anti-bascule vers le haut lorsque vous franchissez des obstacles (comme le trottoir) afin d'éviter qu'elles ne touchent le sol. Abaissez-les ensuite en position normale une fois l'obstacle franchi.

⚠ AVERTISSEMENT !

Un mauvais réglage des roulettes anti-bascule augmente le risque pour le fauteuil de basculer en arrière.



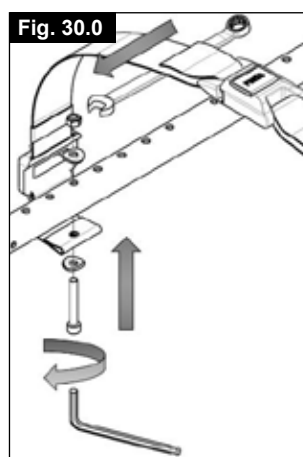
Ceinture pelvienne

⚠ DANGER !

- Avant d'utiliser votre fauteuil roulant assurez-vous que la ceinture sous-abdominale soit mise.
- La ceinture sous-abdominale doit être contrôlée quotidiennement afin de s'assurer que son fonctionnement n'est pas altéré par des éléments divers ou par l'usure.
- Toujours vérifier que la ceinture sous-abdominale est bien fixée et correctement réglée avant d'utiliser le fauteuil. Une sangle trop lâche peut entraîner le glissement de l'utilisateur et causer un risque de suffocation ou des blessures graves.

La ceinture sous-abdominale est fixée sur le fauteuil comme représenté dans l'illustration. La ceinture de sécurité se compose de 2 moitiés. Elles sont installées en utilisant le boulon de maintien existant du siège fixé à travers l'œillet de la ceinture. La ceinture est passée sous l'arrière du panneau latéral. (Fig. 30.0)

Ajustez la position de la ceinture afin que les attaches soient au centre du siège. (Fig. 31.0)



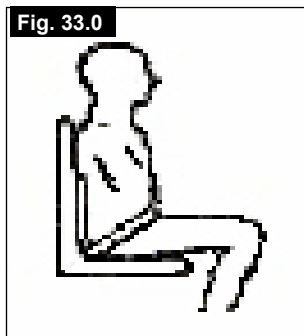
Ajustez la ceinture sous-abdominale afin de convenir aux besoins de l'utilisateur comme ci-après :

Pour réduire la longueur de la ceinture	Pour augmenter la longueur de la ceinture
<p>Passez la ceinture par l'attache male et le dispositif de réglage coulissant. Assurez-vous que la ceinture n'ait pas de nœud au niveau de l'attache male.</p>	<p>Passez la ceinture par les dispositifs de réglage coulissant et l'attache male afin d'obtenir plus de longueur de ceinture.</p>

Ceinture pelvienne >>>

Une fois la ceinture attachée, vérifiez l'espace entre la ceinture pelvienne et l'utilisateur : Si la ceinture est correctement réglée, vous pouvez passer la main à plat entre la ceinture sous-abdominale et l'utilisateur. (Fig. 32.0)

La ceinture sous-abdominale doit être fixée de façon à ce que la ceinture soit à un angle de 45 degrés au travers du bassin de l'utilisateur. L'utilisateur doit être bien droit et le plus à l'arrière possible dans le siège quand réglée correctement. La ceinture sous-abdominale ne doit pas permettre à l'utilisateur de glisser du siège. (Fig. 33.0)




Pour attacher la ceinture :
Poussez l'attache male de façon ferme dans l'attache femelle.

Pour retirer la ceinture :
Appuyez sur les parties exposées de l'attache male vers le centre tout en tirant doucement pour les séparer.

⚠ AVERTISSEMENT !

- Si vous avez des doutes au sujet de l'utilisation et de la manipulation de la ceinture demandez l'assistance de votre professionnel de la santé, de votre fournisseur du fauteuil roulant, de votre aide-soignant ou de votre tierce personne.
- Pour installer une ceinture sous-abdominale, contactez votre revendeur agréé Sunrise Medical.
- La ceinture sous-abdominale doit être contrôlée quotidiennement afin de s'assurer que l'ajustement est correct et que son fonctionnement n'est pas altéré par des éléments divers ou par l'usure.
- Sunrise Medical déconseille le transport de toute personne dans un véhicule utilisant la ceinture sous-abdominale en tant que moyen de retenue.

 Veuillez consulter la brochure Sunrise Medical sur le transit afin d'obtenir des conseils sur le transport des personnes.

Entretien :

Vérifiez régulièrement l'état de la ceinture et des composants de retenue afin de détecter l'apparition d'éventuels signes d'endommagement ou de déchirure. Remplacez la ceinture, si nécessaire.

⚠ AVERTISSEMENT

La ceinture sous-abdominale doit être réglée de façon à s'adapter à l'utilisateur comme détaillé ci-dessus. Sunrise Medical recommande que la longueur et l'ajustement de la ceinture soient vérifiés régulièrement afin de réduire les risques de réajustement de la ceinture à une longueur excessive causés par inadvertance par l'utilisateur final.

Options - Porte-canne

Porte-canne

Le porte-canne vous permet de toujours transporter votre canne avec vous. Une bande Velcro sert à fixer la canne ou tout autre système d'aide à la marche (Fig. 34.0).



AVERTISSEMENT !

N'essayez jamais d'utiliser, ni même d'enlever la canne ou tout autre système d'aide à la marche pendant le déplacement du fauteuil.

Options - Tablette thérapeutique

Tablette thérapeutique

La tablette consiste en une surface plane adaptée à la plupart des activités. La tablette doit être adaptée une fois pour toute à la largeur du siège par votre spécialiste. L'utilisateur doit être assis dans le fauteuil pendant cette opération (Fig. 35.0).

Charge maximum : 40 kg



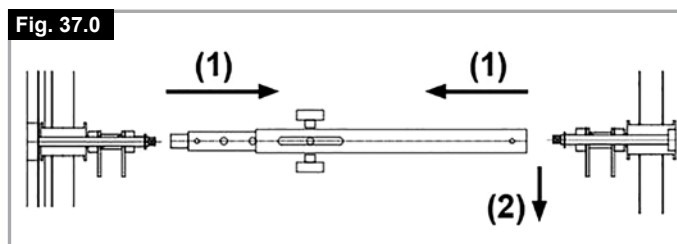
Options – Manipulation d'une seule main

Manipulation d'une seule main (Fig. 36.0 - 37.0)

Pour faire avancer le fauteuil en ligne droite, vous devez utiliser les deux mains courantes simultanément. Pour plier le fauteuil, libérez la barre télescopique en enfonçant le bouton vers l'intérieur (1). Pour déposer les roues, tirez le bouton de libération (2).

⚠ ATTENTION !

Vérifiez toujours les branchements afin d'éviter tout risque d'accident.



Options - Barre de stabilisation

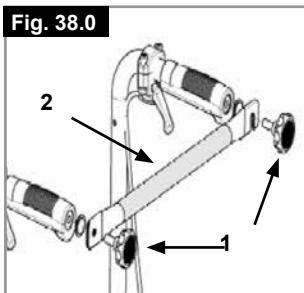
TENDEUR DE DOSSIER

Avant de plier le fauteuil, desserrez les boutons à molette (1) et dégagez le tendeur de dossier (2). Pour remettre le tendeur en place, suivez la procédure dans le sens inverse, (Fig. 38.0).



DANGER !

- Avant d'utiliser le fauteuil, vérifiez que le tendeur de dossier et les molettes sont bien en place et correctement serrés.
- Ne soulevez jamais le fauteuil en l'attrapant par le tendeur de dossier !



Pneus et montage des pneus

Pneus et montage des pneus

Les pneus sont montés de série en usine.

Si votre fauteuil est équipé de pneus pneumatiques, veillez à ce que la pression de vos pneus soit toujours correcte car cela peut avoir une incidence sur la performance et le comportement du fauteuil. Quand la pression est insuffisante, il faut dépenser plus d'énergie car la résistance du fauteuil est très élevée. La maniabilité du fauteuil en est réduite. Le pneu peut éclater si la pression est trop élevée. La pression correcte est indiquée sur la surface du pneu.

Les pneus se montent comme des pneus de vélo courants. Avant de remplacer la chambre à air, inspectez la jante et la paroi interne du pneu et enlevez tout éventuel corps étranger. Vérifiez la pression des pneus après le montage ou la réparation. Il est important pour votre propre sécurité et pour une bonne performance de votre fauteuil de vérifier la pression de l'air régulièrement et de maintenir les pneus en bon état.

Options – Appui-tête

APPUI-TÊTES

Vous pouvez régler la hauteur de l'appui-tête et l'incliner vers l'avant ou l'arrière. Pour effectuer ce réglage, dévissez la vis, placez l'appui-tête à la position souhaitée et revissez la vis (voir la section sur les couples de serrage) (Fig. 39.0).



Options – Roulettes de transit

ROULETTES DE TRANSIT

Il faut utiliser les roulettes de transit partout où le fauteuil est trop large à cause de ses roues arrière (par ex., à bord d'un avion, dans un bus, etc). Quand les roues arrière sont retirées grâce à l'axe à déverrouillage rapide, on peut continuer à rouler sur les **roulettes de transit**. Ces **roulettes de transit** sont montées de manière à être environ 3 cm au-dessus du sol quand elles ne sont pas utilisées. Ainsi elles ne gênent pas le déplacement, le transport, ni l'inclinaison du fauteuil pour franchir des obstacles (comme le trottoir, les marches, etc.) (Fig. 40.0).



ATTENTION :

Sans ses roues arrière, votre fauteuil n'a pas de freins d'immobilisation.



Plaque signalétique

Plaque signalétique

La plaque signalétique se trouve sur les tubes du croisillon, ainsi que sur une étiquette dans le manuel d'utilisation. La plaque indique la dénomination exacte du modèle et fournit diverses informations techniques. Pour une commande de pièces de rechange ou une réclamation, indiquez SVP les informations suivantes :

- Numéro de série
- Numéro de commande
- Mois/année

ECHANTILLON

	Sunrise Medical GmbH Kahlbachring 2-4 D-69254 Malsch / Germany		2021-04-09
TYPE:	Rollstuhl	SN	203211733451939
Style X Ultra	ISO 7176-19:2008		
	150 kg		max 10°
	400 mm		435 mm

CH	REP	Sunrise Medical AG Erlenauweg 17 CH-3110 Münsingen Schweiz/Suisse/Svizzera
-----------	------------	---

TYPE: Désignation du produit/Numéro de SKU.

	Pente maximale pouvant être abordée par le fauteuil équipé de roulettes anti-bascule. Dépend de la configuration du fauteuil, de la posture et des capacités physiques de l'utilisateur.
--	---

	Largeur du siège.
--	-------------------

	Profondeur (maximale).
--	------------------------

	Charge maximale
--	-----------------

	Marquage UKCA.
--	----------------

	Marquage CE.
--	--------------

	Veillez prendre connaissance des consignes d'utilisation
--	--

	XXXX-XX-XX	Date de fabrication.
--	------------	----------------------

	Numéro de série.
--	------------------

	Ce symbole signifie dispositif médical.
--	---

	Coordonnée du fabricant
--	-------------------------

ISO 7176-19:2008	Fait l'objet d'essais de collision conformément à la norme ISO 7176-19:2008.
-------------------------	--

	Adresse de l'importateur
--	--------------------------

UK	RP	Personne responsable au Royaume-Uni
-----------	-----------	-------------------------------------

CH	REP	Adresse du représentant en Suisse
-----------	------------	-----------------------------------

Maintenance et entretien

CONTRÔLE DE SÉCURITÉ :

En tant qu'utilisateur, vous êtes le mieux placé pour remarquer toute éventuelle anomalie. Par conséquent, nous vous recommandons de contrôler les éléments suivants avant chaque utilisation :

la pression des pneus est correcte.
les freins fonctionnent correctement.
tous les organes amovibles sont correctement attachés (par ex. accoudoirs, potences de repose-pieds, axes à déverrouillage rapide ...).
En cas d'endommagement ou de dysfonctionnement, contactez votre revendeur agréé.

ENTRETIEN :

Contrôlez la pression des pneus à intervalles réguliers.
Inspectez tous les pneus afin de déceler tout signe d'usure ou d'endommagement, à intervalles réguliers, au moins une fois par an. Changez les pneus dès l'apparition de signes d'usure ou d'endommagement.
Inspectez le siège et la toile du dossier afin de déceler tout signe d'usure ou d'endommagement, à intervalles réguliers, au moins une fois par an. Remplacez-les dès l'apparition de signes d'usure ou d'endommagement.
Inspectez tous les composants du châssis et du dossier afin de déceler tout signe d'usure ou d'endommagement, à intervalles réguliers, au moins une fois par an. Remplacez-les dès l'apparition de signes d'usure ou d'endommagement.
Inspectez les freins afin de déceler tout signe d'usure ou d'endommagement, à intervalles réguliers, au moins une fois par an. Vérifiez qu'ils fonctionnent correctement et qu'ils sont faciles à actionner. Changez les freins dès l'apparition de signes d'usure ou d'endommagement.
Vérifiez que tous les boulons sont bien serrés (Voir la section sur les couples de serrage), à intervalles réguliers, au moins une fois par an. Tous les boulons essentiels à une utilisation sécurisée du fauteuil sont dotés d'écrous freinés. Les écrous de sécurité ne doivent être utilisés qu'une seule fois. Après une utilisation répétée, vous devez remplacer ces écrous.

REMARQUE : En présence de valeurs de couples de serrage, nous recommandons vivement l'utilisation d'un outil de mesure du couple afin de vous assurer d'avoir serré les organes à la torsion adéquate. Si votre fauteuil est sale, nettoyez-le uniquement avec un nettoyant ménager doux. Nettoyez la toile du siège et la ceinture sous-abdominale à l'eau et au savon uniquement.
Selon la fréquence et le type d'utilisation de votre fauteuil, il est recommandé de l'amener régulièrement chez votre revendeur agréé, au moins une fois par an, afin de le faire réviser par du personnel formé à cet effet.

⚠ ATTENTION !

Le sable, le sel et l'eau de mer peuvent endommager les roulements des roues avant et arrière. Nettoyez et séchez soigneusement le fauteuil s'il a été exposé à ces éléments.

Mesure d'hygiène en cas de cession du fauteuil :

Avant de laisser une autre personne utiliser le fauteuil, il convient de l'apprêter soigneusement. Toutes les surfaces entrant en contact avec le nouvel utilisateur doivent être désinfectées.
Pour ce faire, vous devez utiliser un désinfectant figurant dans la liste des produits homologués / recommandés dans votre pays, pour une désinfection rapide à base d'alcool pour produits et appareils médicaux nécessitant d'être désinfectés rapidement.
Veillez prendre connaissance des instructions du fabricant du produit désinfectant utilisé.
En règle générale, une désinfection totale ne peut être garantie sur les coutures. Par conséquent et conformément à la réglementation locale relative à la protection contre les infections, il est recommandé de mettre au rebut la toile de l'assise et du dossier afin d'éviter toute contamination micro-bactérienne par les agents actifs.



ISO 7010-M002

L'utilisateur doit impérativement lire le manuel d'utilisation/livret ! (Icône bleue)

Dépannage

Le fauteuil tire sur le côté

- Vérifiez la pression des pneus (pneus pneumatiques uniquement)
- Vérifiez que la roue tourne librement (roulements, axe)
- Vérifiez que l'angle des roues avant est correct et que celles-ci entrent bien en contact avec le sol
- Vérifiez que les roulements des roues avant tournent sans entrave

Les roues avant oscillent

- Vérifiez l'angle des roues avant.
- Vérifiez que les visseries sont fixes, resserrez-les le cas échéant (voir la page des couples de serrage)
- Vérifiez que les deux roues avant sont en contact avec le sol.

Le croisillon du châssis ne se met pas dans les positions de l'assise du siège

- Le fauteuil est encore neuf et la toile du siège ou du dossier est encore rêche. Cela changera avec le temps.

Le fauteuil est difficile à plier

- La toile du dossier est trop tendue. Détendez-la un peu.

Le fauteuil grince et cliquette

- Vérifiez que les visseries sont fixes, resserrez-les le cas échéant (voir la page des couples de serrage)
- Appliquez de petites quantités de lubrifiant aux endroits sur les éléments mobiles entrent en contact les uns avec les autres.

Le fauteuil a du jeu

- Vérifiez l'angle des roues avant
- Vérifiez l'usure ou l'endommagement de tous les pneus.
- Vérifiez si les roues arrière sont ajustées ou fixées d'une manière inégale.

Mise au rebut / Recyclage des matériaux

REMARQUE : Si ce fauteuil vous a été remis gratuitement, il pourrait ne pas vous appartenir. Si vous n'en avez plus usage, respectez les consignes énoncées par l'organisme qui vous l'a fourni afin de le lui rendre.

Les informations suivantes décrivent les différents matériaux composant le fauteuil en vue de la mise au rebut ou du recyclage du fauteuil et de ses matériaux d'emballage. Vous devez respecter toute réglementation spécifique en vigueur dans votre localité relative à la mise au rebut et au recyclage (notamment le nettoyage ou la décontamination du fauteuil roulant avant sa mise au rebut).

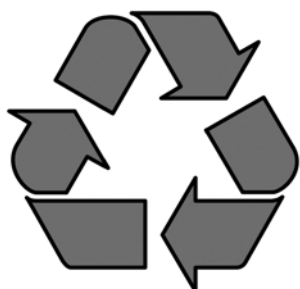
Aluminium : Flancs de châssis, accoudoirs, châssis, repose-jambes.

Plastique : Poignées, fourches de roues avant, capuchons aux extrémités des montants, roues avant, palettes, accoudoirs, roues/pneus de 12 pouces, roues, protège-vêtements.

Emballage : Sachet en polythène de faible densité, carton.

Toile : Polyester tissé à revêtement PVC et mousse expansée à combustion modifiée.

La mise au rebut ou le recyclage doit être assuré par un agent spécialisé ou une décharge agréée. Vous pouvez également renvoyer votre fauteuil roulant à votre revendeur qui se chargera de sa mise au rebut.



Caractéristiques techniques

Caractéristiques techniques

Largeur totale :

Avec roues standard, y inclus les main-courantes LS +180 mm
Avec roues à frein à tambour inclus les main-courantes LS + 200 mm

Dimensions du fauteuil plié :

- Avec roues arrière, environ 275 mm
- Sans roue arrière, environ 220 mm

Poids en kg :

- Transport (sans repose-pied, roues, accoudoir) 8,2 kg
- Repose-pied (unité) 0,75 kg
- Accoudoir (unité) 1,3 kg
- Roues (unité) 1,75 kg

Poids maximum de l'utilisateur :

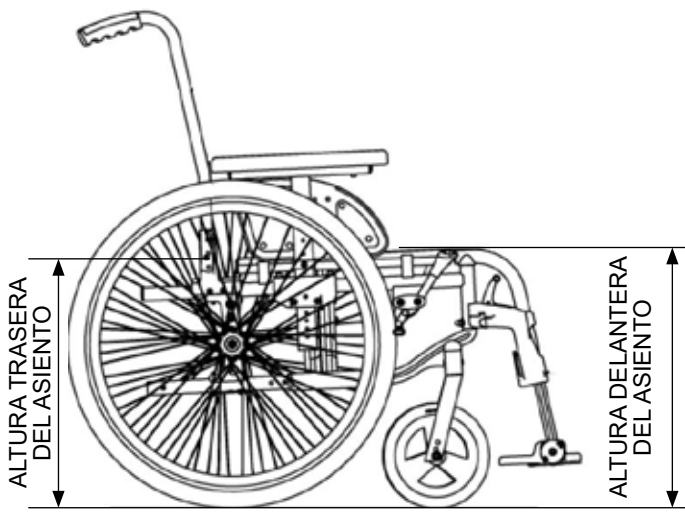
- Breezy Style X jusqu'à 125 kg
- Breezy Style X Ultra pour une charge maximale de 150 kg (limite de 136 kg pour être utilisé comme siège dans les véhicules motorisés)

Conformément à la norme EN12183 : 2014, tous les éléments énumérés ici (siège, garnissage du dossier, accoudoirs, panneau latéral...) résistent au feu conformément à la norme EN1021 Partie 1/2.

Le degré d'inclinaison maximum des pentes dépend de la configuration du fauteuil, des capacités de l'utilisateur et du style de conduite. Les capacités de l'utilisateur et son style de conduite ne pouvant être prédéfinis, le degré d'inclinaison maximum des pentes ne peut être déterminé. Il revient donc à l'utilisateur, assisté de son accompagnateur, de déterminer l'inclinaison maximale afin d'éviter tout risque de basculement. Il est vivement recommandé d'installer des roulettes anti-basculer pour les utilisateurs inexpérimentés.

Le fauteuil est conforme aux normes suivantes :

- Exigences et méthodes d'essai pour la résistance statique, la résistance aux chocs et la résistance à la fatigue (ISO 7176-8)
- Exigences en matière de résistance à l'inflammation des parties rembourrées conformément à ISO 7176-16 (EN 1021-1/2)



ALTURA DELANTERA DEL ASIENTO: (mm)	385 / 410 / 435 / 460 / 485 / 510
ALTURA TRASERA DEL ASIENTO: (mm)	365 / 390 / 415 / 440 / 465 / 490

Nota: La diferencia máxima entre la altura delantera y trasera del asiento es de 40 mm

385	5"	1A		
410	5"	3A		
435	5"		1A	
460	5"		3A	
485	5"		3B	
510	5"			
385	6"			
410	6"	2A		
435	6"	4A		
460	6"		2A	
485	6"		2B	
510	6"		4B	
385	8"		-	
410	8"		-	
435	8"		-	
460	8"	4A		
485	8"		2A	
510	8"		2B	

ÁNGULO DEL ASIENTO de 0° (0°, 2° / -0°, 2)		NÚMERO DE POSICIÓN DE RUEDA DELANTERA 1	
385 / 385	24"	1	
410 / 410	24"	2	
435 / 435	24"	3	
460 / 460	24"	4	
485 / 485	24"	5	
510 / 510	24"	6	
385 / 385	22"	2	
410 / 410	22"	3	
435 / 435	22"	4	
460 / 460	22"	5	
485 / 485	22"	6	
510 / 510	22"		
385 / 385	12"		1
410 / 410	12"		2
435 / 435	12"		3
460 / 460	12"		4
485 / 485	12"		
510 / 510	12"		

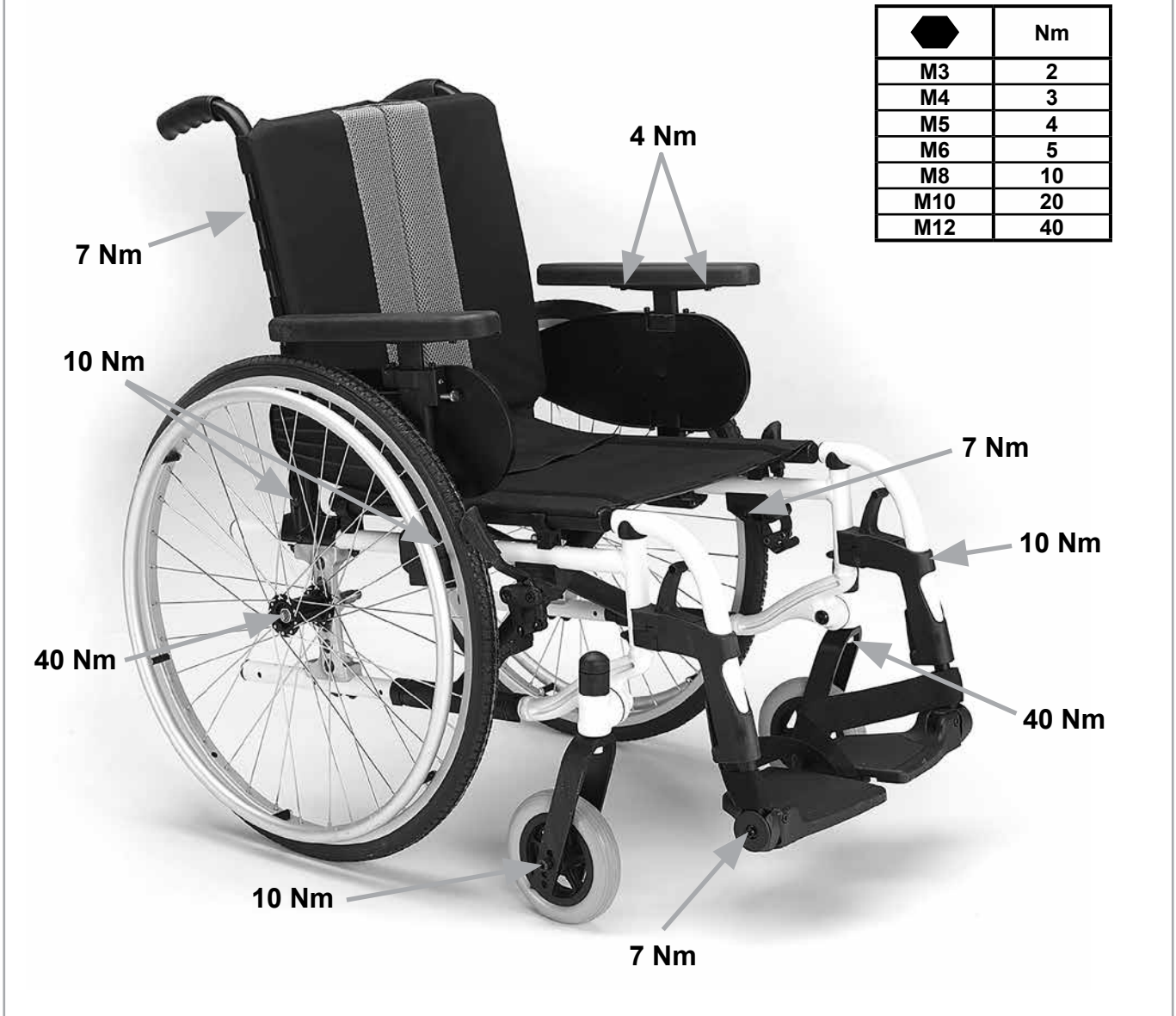
ÁNGULO DEL ASIENTO de 3° (2°, 2° / 3°, 4)		NÚMERO DE POSICIÓN DE RUEDA DELANTERA 3	
385 / 365	24"		
410 / 390	24"	1	
435 / 415	24"	2	
460 / 445	24"	3	
485 / 465	24"	4	
510 / 490	24"	5	
385 / 365	22"	1	
410 / 390	22"	2	
435 / 415	22"	3	
460 / 445	22"	4	
485 / 465	22"	5	
510 / 490	22"	6	
385 / 365	12"	6	
410 / 390	12"		1
435 / 415	12"		2
460 / 445	12"		3
485 / 465	12"		4
510 / 490	12"		

ÁNGULO DEL ASIENTO de 6° (5°, 4° / 6°, 8)		NÚMERO DE POSICIÓN DE RUEDA DELANTERA 4	
385 / 345	24"		
410 / 370	24"		
435 / 395	24"	1	
460 / 420	24"	2	
485 / 445	24"	3	
510 / 470	24"	4	
385 / 385	22"		
410 / 370	22"	1	
435 / 395	22"	2	
460 / 420	22"	3	
485 / 445	22"	4	
510 / 470	22"	5	
385 / 345	12"	6	
410 / 370	12"	6	
435 / 395	12"		1
460 / 420	12"		2
485 / 445	12"		3
510 / 470	12"		



A menos que se especifique lo contrario, la presión para los tornillos M6 es de 7 Nm.
Para más detalles consulte la página 7.

Fig. 25




Torsión	44
Definiciones	45
Introducción	46
Uso	46
Área de aplicación	46
Instrucciones generales de seguridad y restricciones de conducción	47
Garantía	48
Transporte	49
Utilización	51
Transporte de la silla de ruedas	51
Opciones - Profundidad del asiento	51
Opciones - Frenos	52
Opciones - Plataformas de reposapiés	52
Opciones - Ruedas delanteras	53
Opciones - Posición de la rueda delantera	53
Opciones - Posición del eje horizontal	54
Opciones: Respaldo	54
Opciones – Reposabrazos	55
Opciones - Ruedas antivuelco	56
Cinturón de sujeción pélvico	56
Opciones - Soporte de bastones	57
Opciones - Mesa	57
Opciones – Sistema de hemiplejía	57
Opciones – Barra rigidizadora	58
Opciones - Reposacabezas	58
Opciones – Ruedas de tránsito	58
Cubiertas y montaje	58
Placa de Identificación	59
Mantenimiento y cuidado	59
Posibles Problemas	60
Desecho / reciclaje de los materiales	60
Datos técnicos	60

NOTA:

Es posible que las sillas de ruedas mostradas y descritas en este manual no sean exactamente iguales al modelo que usted posee. No obstante, todas las instrucciones aquí proporcionadas pueden aplicarse perfectamente más allá de las diferencias en los detalles. El fabricante se reserva el derecho de modificar, sin previo aviso, los pesos, medidas y otros datos técnicos descritos en este manual. Todas las figuras, medidas y capacidades aquí mostradas son aproximadas y no constituyen especificaciones.

3.1 Definiciones de términos utilizados en este manual

Palabra	Definición
 ¡PELIGRO!	Advierte al usuario acerca de un riesgo potencial de padecer lesiones severas o hasta la muerte si no se siguen las instrucciones de uso.
 ¡ADVERTENCIA!	Advierte al usuario acerca de un riesgo eventual si no se sigue las instrucciones de uso
 ¡PRECAUCIÓN!	Advierte al usuario acerca de la posibilidad de producirse un daño eventual en el equipo de no seguir esta precaución
NOTA:	Consejos generales sobre el buen uso.
	Referencia a documentación adicional
	Macizas
	Macizo blando
	No encaja

NOTA:

Anote en el recuadro que aparece a continuación la dirección y el teléfono del distribuidor autorizado de Sunrise Medical donde adquirió el producto.

En caso de avería, contacte con el agente local e intente proporcionarle toda la información pertinente de forma que le puedan ayudar lo antes posible.

Firma y sello del distribuidor

Introducción

Estimado cliente,

Gracias por haber escogido una silla de ruedas de SUNRISE MEDICAL.

Este manual de instrucciones le proporcionará soluciones e ideas para que pueda obtener el mejor rendimiento de su nueva silla de ruedas.

Para Sunrise Medical, es muy importante mantener una buena relación con nuestros clientes. Por eso queremos mantenerle informado de nuestros nuevos productos. Un contacto cercano con nuestros clientes es sinónimo de: servicio rápido, papeleo simplificado y comunicación permanente. Cuando necesite repuestos o accesorios, o simplemente si tiene una duda con respecto a su silla de ruedas, estamos aquí para ayudarle.

Queremos que se sienta satisfecho con nuestros productos y nuestro servicio. En Sunrise Medical estamos trabajando permanentemente para desarrollar nuestros productos más aún. Por esta razón pueden producirse cambios en la forma, tecnología o equipamientos de nuestros productos. Por consiguiente, no se aceptarán reclamaciones por la información o las imágenes recogidas en este manual.

El sistema de gestión de SUNRISE MEDICAL cuenta con las certificaciones ISO 13485 e ISO 14001.



Como fabricante, SUNRISE MEDICAL, declara que este producto se ajusta a los requisitos del Reglamento de Dispositivos Médicos (2017/745).

NOTA:

Información general para el usuario.

No seguir estas instrucciones puede resultar en daños físicos, daños al producto o daños para el medio ambiente.

Aviso al usuario y/o paciente: Cualquier incidente grave que se haya producido en relación con el dispositivo debe notificarse al fabricante y a la autoridad competente del estado miembro en el que esté establecido el usuario y/o el paciente.

B4Me - Adaptaciones especiales

Sunrise Medical recomienda encarecidamente que para garantizar que su producto fabricado a través del servicio de sillas personalizadas B4Me funcione según lo previsto por el fabricante; toda la información proporcionada con su producto B4Me se lee y se comprende antes de utilizarlo por primera vez.

Sunrise Medical también recomienda que dicha información no se deseche después de leerla, sino que se guarde de forma segura para futuras referencias.

Combinaciones de dispositivos médicos

Es posible combinar este dispositivo médico con uno o más dispositivos médicos u otros productos. La información sobre qué combinaciones son posibles se encuentra en www.SunriseMedical.es. Todas las combinaciones enumeradas se han validado para cumplir con los Requisitos Generales de Seguridad y Rendimiento, Anexo I No. 14.1 de la Regulación de Dispositivos Médicos 2017/745.

Puede encontrar asesoramiento sobre las combinaciones, y el montaje en www.SunriseMedical.es.

Comuníquese con su distribuidor local autorizado de SUNRISE MEDICAL si tiene alguna pregunta acerca del uso, mantenimiento o seguridad de su silla de ruedas.

En caso de que no haya ningún distribuidor autorizado en su zona, o si tiene alguna pregunta sobre seguridad o retirada de productos, póngase en contacto con Sunrise Medical ya sea por escrito o por teléfono, o encuentre la información que busca en www.sunrisemedical.es

Sunrise Medical S.L.
Polígono Bakiola, 41
48498 Arrankudiaga – Vizcaya
España
Tel.: +34 (0) 902 14 24 34
Fax: +34 (0) 94 648 15 75
www.SunriseMedical.es



NO UTILICE ESTA SILLA DE RUEDAS HASTA HABER LEÍDO Y COMPRENDIDO ESTE MANUAL.

Uso

Las sillas de ruedas están diseñadas exclusivamente para el uso personal de un usuario incapaz de caminar o con movilidad reducida, para autopropulsarse o ser trasladado por un tercero (asistente que empuja la silla) en interiores o exteriores.

El límite de peso máximo (que incluye el peso del usuario más el peso de cualquier otro accesorio instalado en la silla de ruedas) está indicado en la etiqueta con el número de serie, ubicada en el tubo de la cruceta o barra estabilizadora, debajo del asiento.

El producto debe ser utilizado bajo las condiciones especificadas y con los fines indicados; de lo contrario, la garantía quedará anulada. La vida útil estimada de este producto es de 5 años. Por favor NO utilice ni instale en la silla de ruedas componentes fabricados por terceros a menos que hayan sido aprobados de manera oficial por Sunrise Medical.

¡PELIGRO!

- No instale ningún dispositivo electrónico no autorizado.
- No instale ningún dispositivo de movilidad eléctrico o mecánico, controladores, bicicleta de mano ni ningún otro aparato que pudiese alterar el uso indicado o la estructura de la silla de ruedas.
- Cualquier combinación con otro dispositivo médico requiere la aprobación directa de Sunrise Medical.

Área de aplicación

Indicaciones

La variedad de opciones disponibles, así como el diseño modular de la silla, permiten que ésta pueda ser usada por personas que no pueden caminar o con movilidad reducida debido a:

- Parálisis
- Pérdida de extremidades (amputación)
- Defecto o deformidad en extremidades
- Contracturas o lesiones en articulaciones
- Enfermedades como deficiencias cardíacas y circulatorias, alteraciones del equilibrio o caquexia, cuadros de enfermedades neurológicas, distrofia muscular, hemiplejía, así como para personas mayores que todavía tienen fuerza en la parte superior del cuerpo.

Contraindicaciones

La silla de ruedas no se utilizará sin acompañante en caso de:

- Trastorno de la percepción
- Desequilibrio
- Pérdida de ambos brazos, si no cuenta con un cuidador
- Contracción o daño articular en ambos brazos
- Discapacidad para sentarse

NOTA:

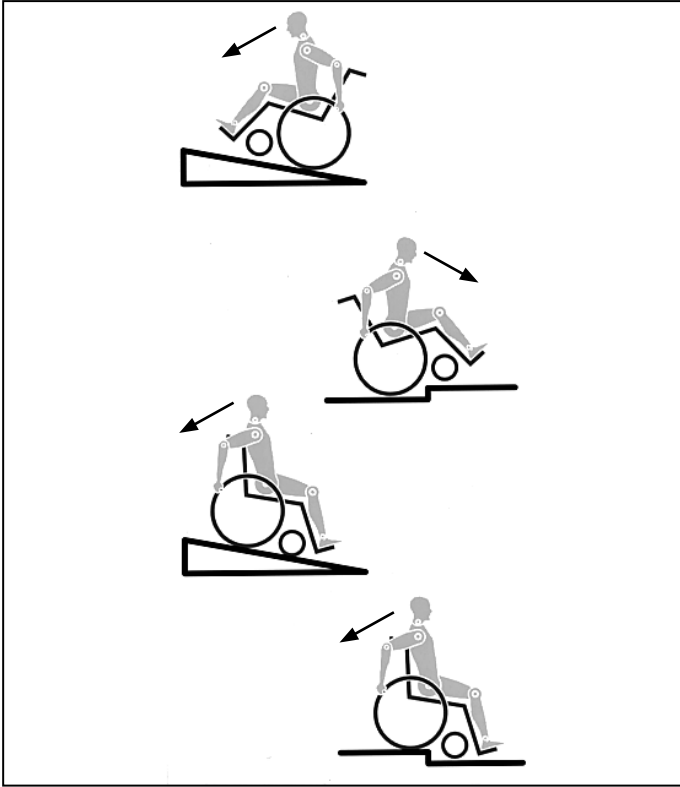
Tenga en cuenta que la conducción de una silla de ruedas requiere suficientes habilidades cognitivas, físicas y visuales. El usuario debe ser capaz de evaluar los efectos de las acciones durante el funcionamiento de la silla de ruedas y, en caso necesario, de corregirlas. Sunrise Medical, como fabricante, no puede evaluar estas capacidades ni el uso seguro de los componentes adicionales. No podemos aceptar ninguna responsabilidad por los daños resultantes.

Consulte las instrucciones de uso de la silla de ruedas y de los componentes adicionales montados. Instruya al usuario en el uso seguro de la silla de ruedas y de los componentes adicionales montados. Informe al usuario de las advertencias específicas que debe leer, comprender y respetar.

Al solicitar una silla de ruedas, tenga en cuenta el tamaño corporal, peso, constitución física y fisiológica, edad, condiciones de vida y entorno del usuario.

Recomendaciones de uso

La silla de ruedas puede utilizarse tanto en interiores como en exteriores en modos de autopropulsión o mediante asistente (acompañante), sobre superficies relativamente llanas, firmes y secas. No se recomienda el uso en situaciones de tormenta, lluvia torrencial, nieve, hielo u otras condiciones climáticas extremas.



El diseño y construcción de esta silla de ruedas han sido realizados de forma que se garantice la máxima seguridad. Se ha cumplido con las normativas internacionales de seguridad actualmente en vigor. Sin embargo, los usuarios pueden ponerse a sí mismos en peligro si las sillas de ruedas son utilizadas de forma inapropiada. Por su propia seguridad, siga estrictamente las siguientes recomendaciones:

La adaptación o ajuste no profesional o inapropiado puede aumentar el riesgo de accidente. Como usuario de una silla de ruedas, usted forma parte del tránsito diario en las calles y aceras, igual que cualquier otra persona. Por lo que le recordamos que usted debe también cumplir con las normas de tránsito.

Tenga cuidado cuando utilice la silla de ruedas por primera vez. Conozca todos sus mandos y funciones.

Antes de cada uso, debe comprobar lo siguiente:

- Ejes de desmontaje rápido de las ruedas traseras
- Velcro de asientos y respaldos
- Cubiertas, presión de las cubiertas y frenos de las ruedas.

Antes de cambiar cualquiera de los ajustes de esta silla de ruedas, es importante que lea la sección correspondiente del manual del usuario.

Es posible que si existen baches, o el suelo no es uniforme la silla vuelque, especialmente cuando se desplaza cuesta arriba o cuesta abajo. Cuando sube un escalón o sube por una pendiente, el cuerpo debe ir inclinado hacia adelante.

⚠ PELIGRO!

- NUNCA supere la carga máxima de 125 kg en Style X / en Style X Ultra 150 kg (136 kg si la silla lleva anclajes para transporte en vehículos "Crash-tested"). Carga máxima incluye el usuario más todos los objetos que cargue en la silla de ruedas. Tenga en cuenta la posibilidad sobre opciones más ligeras, que serán consideradas opciones con un coste adicional. Si se excede la carga máxima, el rendimiento de la silla de ruedas se verá afectado, o bien podría provocarse una caída, vuelco o pérdida del control y ocasionar lesiones severas en el usuario u otra persona.
- Si conduce en la oscuridad, utilice ropa de colores claros o que contenga reflectores, para ser visto más fácilmente. Compruebe que los reflectores laterales y traseros de la silla de ruedas se vean claramente. Recomendamos también que haga instalar una luz activa.
- A fin de evitar caídas y situaciones peligrosas, se aconseja comenzar a utilizar su nueva silla de ruedas en una superficie llana con condiciones de buena visibilidad.
- Al subir o bajar de la silla de ruedas, no utilice las plataformas reposapiés. Antes deben girarse hacia arriba y abrirse hacia afuera al máximo ángulo posible. Siempre ubíquese en el lugar más cercano posible al que desea sentarse.

- Solo use la silla de ruedas correctamente. Por ejemplo, evite sortear un obstáculo sin antes frenar (escalones, bordillos) o pasar por encima de un bache.
- Los sistemas de bloqueo de las ruedas no tienen como fin ser utilizados como freno de su silla de ruedas. Solamente han sido instalados para asegurar que su silla de ruedas no empiece a rodar de forma imprevista. Cuando se detenga sobre una superficie irregular, debe accionar siempre los frenos para impedir que la silla se desplace de forma imprevista. Accione siempre los dos frenos, ya que de lo contrario su silla podría volcar.
- Explore los efectos del cambio del centro de gravedad en el comportamiento de la silla de ruedas; por ejemplo, en pendientes, cuestas, todo tipo de gradientes o al sortear obstáculos. Realice estas pruebas si cuenta con la seguridad de un asistente.
- Si se utilizan los puntos extremos de fijación (por ejemplo, las ruedas traseras en la posición más adelantada) y la postura no es la adecuada, la silla de ruedas podría volcar, incluso hasta sobre una superficie llana.
- Incline la parte superior de su cuerpo hacia adelante al subir pendientes y escalones.
- Incline la parte superior de su cuerpo hacia atrás al bajar pendientes y escalones. Nunca intente subir o bajar una pendiente si usted se encuentra ubicado de manera diagonal.
- Evite el uso de escaleras mecánicas, ya que podrían producir graves lesiones en caso de que el usuario se caiga de la silla o scooter.
- No utilice la silla de ruedas en pendientes superiores a 10°. El tomar una pendiente de forma dinámica y segura depende de la configuración de la silla, de la habilidad de conducción del usuario y del estilo de montaje. Debido a que la habilidad de conducción y el estilo de montaje del usuario no son factores predeterminados, la pendiente segura máxima no puede determinarse tampoco. Por lo tanto, el usuario y un asistente deberán determinar estos factores a fin de evitar vuelcos inadvertidos. Recomendamos encarecidamente la instalación de ruedas anti-vuelco en sillas de usuarios con poca experiencia.
- Es posible que si existen baches, o el suelo no es uniforme la silla vuelque, especialmente cuando se desplaza cuesta arriba o cuesta abajo.
- No utilice la silla de ruedas en terrenos cubiertos de barro o de hielo. No utilice la silla de ruedas en sitios donde no están permitidos los peatones.
- Para evitar lesiones en las manos, no sujete por entre los radios o entre la rueda trasera y el sistema de bloqueo cuando conduce la silla.
- Cuando utilice aros de empuje de metal ligero, tenga en cuenta que la temperatura de los dedos puede subir al frenar de una velocidad alta o en pendientes largas.
- Conducir la silla de manera transversal en una inclinación o pendiente, aumenta la posibilidad de volcar la silla hacia los lados.
- Solo intente subir o bajar escaleras con la ayuda de un asistente. Si hay equipamiento disponible para tales fines; por ejemplo, rampas o ascensores, por favor úselos. Si, en cambio, no cuenta con tal equipamiento, se precisarán dos asistentes para inclinar y empujar la silla, que nunca debe ser cargada. Recomendamos que los usuarios de peso mayor a 100 kg no realicen maniobras ni intenten subir o bajar escaleras.
- En general, los tubos antivuelco deben acomodarse de antemano para evitar el contacto con los escalones; de lo contrario, podría ocasionarse una caída grave. Inmediatamente después, los tubos de las ruedas antivuelco deben volver a colocarse en su posición correcta.
- Asegúrese de que el asistente solo sostiene la silla de ruedas por piezas montadas de manera segura (y no la toma de los reposapiés ni de los protectores laterales).
- Esta silla de ruedas no está diseñada para su uso durante entrenamientos con pesas y/o mancuernas. Para ello, utilice solo equipamiento específicamente diseñado para ese fin.
- No levante la silla de ruedas por los tubos posteriores ni por las empuñaduras.
- Al hacer uso de la rampa de elevación, compruebe que las ruedas antivuelco instaladas estén en una posición alejada del área de peligro.
- Asegure la silla utilizando los frenos cuando conduzca por una superficie irregular o cuando realice transferencias (por ejemplo, hacia un auto).

- Si se realiza un trayecto en un vehículo adaptado, los ocupantes del vehículo deben utilizar, en la medida de lo posible, los asientos del vehículo y el sistema de sujeción apropiado. Esta es la única manera de garantizar la máxima protección de los usuarios en caso de accidente. Si se utilizan el equipamiento de seguridad que brinda SUNRISE MEDICAL y se cuenta con un sistema de seguridad especialmente diseñado. Las sillas de ruedas de peso ligero pueden usarse como asiento cuando se las transporta en un vehículo especialmente preparado para este fin. (Consulte la sección de "Transporte").
- Dependiendo del diámetro y la instalación de las ruedas delanteras pivotantes, como también del centro de gravedad de la silla, las ruedas delanteras pueden oscilar a velocidades altas. Si esto ocurre, las ruedas delanteras podrían bloquearse y, como resultado, la silla podría volcar. Por lo tanto, asegúrese de que las ruedas delanteras estén ajustadas correctamente (consulte la sección "Ruedas delanteras"). Especialmente, no conduzca sin frenos en una pendiente; viaje a una velocidad reducida. Recomendamos el uso de ruedas antivuelco para los usuarios sin experiencia.
- El único propósito de las ruedas antivuelco es evitar que la silla vuelque hacia atrás involuntariamente. No están para reemplazar a las ruedas de tránsito ni ser utilizadas para transportar una persona en una silla de ruedas que no tenga las ruedas traseras instaladas.
- Si desea alcanzar un objeto (que se encuentre enfrente, de lado o detrás de la silla de ruedas) no se incline demasiado ni se aleje del respaldo, ya que si modifica el centro de gravedad, corre el riesgo de desestabilizarse o resbalarse y caer. Si cuelga cargas adicionales (mochilas o elementos similares) sobre los postes del respaldo de la silla, la estabilidad trasera se verá afectada, en especial cuando se cuenta con respaldos reclinables. En este caso, la silla podría volcar hacia atrás y causar lesiones.
- Solo un distribuidor autorizado podrá llevar a cabo los ajustes necesarios en su silla de ruedas, especialmente aquellos en los componentes relacionados con la seguridad. Estos ajustes incluyen: los frenos, las ruedas antivuelco, el ángulo y la altura del respaldo, la longitud de pierna, el centro de gravedad, el cinturón de seguridad, la angulación de las ruedas traseras o camber, la altura del asiento, y el ángulo y estabilidad de la dirección de la horquilla.
- Si va a instalar accesorios de movilidad en su silla de ruedas, como handbikes o dirección asistida electrónica, etc., asegúrese de que la silla esté equipada con las horquillas correspondientes para las ruedas delanteras, aprobadas para este uso. Si tiene alguna duda, póngase en contacto con su distribuidor.
- No instale ningún dispositivo electrónico ni de movilidad, automático o manual, bicicleta de mano ni cualquier otro aparato no autorizado que pudiese alterar el uso indicado o la estructura de la silla de ruedas.
- Cualquier combinación con otro dispositivo médico requiere la aprobación de Sunrise Medical.
- Tenga en cuenta que, en determinadas configuraciones, la silla de ruedas podría exceder la anchura de 700 mm. Si este fuera el caso, es posible que en determinadas circunstancias, no pueda usar algunas o ninguna de las salidas de emergencia de un edificio. Puede ser más difícil, o hasta imposible, viajar en transporte público.
- Su distribuidor autorizado puede proporcionarle más información e instrucciones de seguridad.
- Los usuarios con amputación a nivel de los muslos deben utilizar ruedas antivuelco.
- Antes de conducir su silla, compruebe que la presión de los neumáticos sea la correcta. Para las ruedas traseras, debe ser de 3,5 bar (350 kPa), como mínimo. La presión máxima está indicada en el neumático. Los frenos de rodilla solo funcionarán si hay suficiente presión en los neumáticos y si se ha establecido la configuración correcta (consulte la sección de Frenos).
- Si las tapicerías del respaldo y el asiento presentan daños, debe reemplazarlas de inmediato.
- Evite el contacto con el fuego, en especial con cigarrillos encendidos. Las tapicerías del asiento y respaldo podrían prenderse fuego.
- Si se somete a la silla a una fuente directa de luz solar durante un periodo largo de tiempo, las piezas de la silla de ruedas (armazón, reposapiés, frenos y protectores laterales) pueden subir de temperatura (>41°C).
- Siempre compruebe que los ejes de desmontaje rápido de las ruedas traseras estén correctamente instalados y fijos en posición. Si el botón del eje de desmontaje rápido no está pulsado, la rueda trasera no podrá extraerse.
- Procure siempre evitar que la ropa quede atrapada en las ruedas.

ADVERTENCIA!

- El rendimiento de los frenos de rodilla y las características generales de conducción dependen esencialmente de la presión de los neumáticos. La silla de ruedas resulta mucho más ligera y fácil de maniobrar cuando las ruedas traseras están hinchadas correctamente y ambas ruedas tienen la misma presión.
- Compruebe que las cubiertas de las ruedas tengan suficiente profundidad en los ribetes. Tenga en cuenta que, como usuario de la silla de ruedas, está sujeto a todas y cada una de las leyes de tránsito cuando conduce en lugares públicos.
- Siempre procure no atraparse los dedos cuando trabaja o hace ajustes en la silla de ruedas.

ADVERTENCIA!

PELIGRO DE ASFIXIA - La silla de ruedas puede incorporar piezas pequeñas que, en determinadas circunstancias, pueden presentar un peligro de asfixia para los niños pequeños.

Es posible que las sillas de ruedas mostradas y descritas en este manual no sean exactamente iguales al modelo que usted posee. No obstante, todas las instrucciones aquí proporcionadas pueden aplicarse perfectamente más allá de las diferencias en los detalles.

El fabricante se reserva el derecho de modificar, sin previo aviso, los pesos, medidas y otros datos técnicos descritos en este manual. Todas las figuras, medidas y capacidades aquí mostradas son aproximadas y no constituyen especificaciones.

Garantía

Ver el documento "Condiciones Generales de Garantía" que acompaña a este manual de usuario. También disponible en www.sunrisemedical.es, sección "Condiciones Generales de Venta".

Transporte

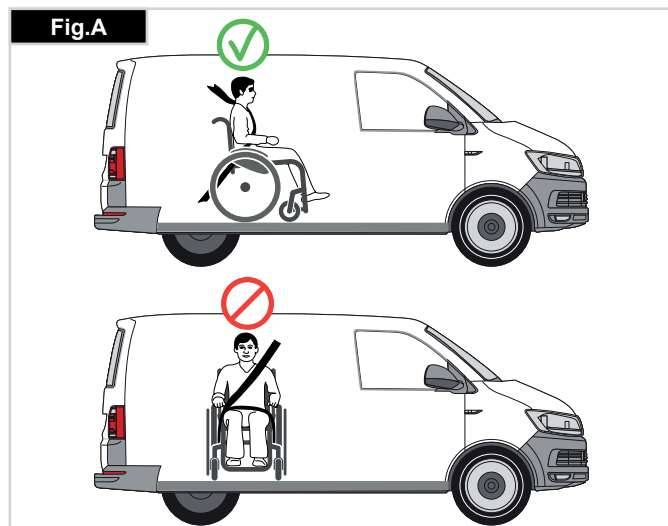
⚠ ¡PELIGRO!

Existe un alto riesgo de producirse lesiones graves e incluso la muerte si no se toman en cuenta estos consejos.

Transporte de la silla de ruedas en un vehículo:

Una silla de ruedas sujeta en un vehículo nunca proporciona el mismo nivel de seguridad que el sistema de asiento propio del vehículo. Siempre es recomendable que, en la medida de lo posible, el usuario se transfiera al asiento del vehículo. Reconocemos, en cambio, que no siempre es práctico para el usuario ser transferido y, en esas circunstancias en las que el usuario debe ser transportado en la propia silla de ruedas, se deberían seguir los siguientes consejos:

1. Confirme que el vehículo esté correctamente equipado para transportar un pasajero en silla de ruedas y verifique que tenga el método de acceso/egreso adecuado para su modelo de silla. El vehículo debe tener la resistencia suficiente en el piso como para mantener el peso combinado del usuario, la silla y los accesorios.
2. Se debe contar con suficiente espacio disponible alrededor de la silla de ruedas para poder amarrar, ajustar y soltar las correas de sujeción y los cinturones de seguridad de la silla y del ocupante.
3. La silla de ruedas ocupada debe acomodarse en posición hacia el frente y debe asegurarse mediante los puntos de sujeción de la misma más los cinturones de seguridad del ocupante (sistema de sujeción de seguridad en vehículos de transporte, WTORS, que cumpla con las normas ISO 10542 o SAE J2249) según las instrucciones sobre WTORS del fabricante.
4. El uso de la silla de ruedas en otras posiciones dentro del vehículo no ha sido evaluado; por lo tanto, no debe transportarse la silla con la parte frontal mirando de lado bajo ninguna circunstancia (Fig. A).
5. La silla de ruedas deberá estar sujeta por un sistema de Retención, conforme a las normas ISO 10542 o SAE J2249, con correas anteriores no ajustables y correas posteriores ajustables, que utilicen generalmente mosquetones, ganchos en S y sistema de acoplamiento de lengüeta y hebilla. Estos anclajes generalmente constan de cuatro correas individuales acopladas a cada esquina de la silla.
6. Los cinturones de seguridad deberán estar instalados en el armazón principal de la silla de ruedas, tal como se indica en el diagrama de la página siguiente, y no en los accesorios, como los rayos de las ruedas, frenos o reposapiés.
7. Las correas de sujeción de seguridad deberán estar sujetadas lo más cerca posible a un ángulo de 45° y estar firmemente ajustadas de acuerdo con las instrucciones del fabricante del sistema de sujeción.
8. No se deben llevar a cabo alteraciones ni sustituciones en los puntos de sujeción de la silla de ruedas ni en el armazón, estructura o demás componentes sin antes consultar con el fabricante. De lo contrario, la silla de ruedas Sunrise Medical no podrá ser transportada en un vehículo.



9. Los cinturones de sujeción pélvico y troncal deben utilizarse para sujetar al ocupante, reducir la posibilidad de impacto en el pecho y la cabeza con los componentes del vehículo y evitar lesiones severas en el usuario u otro ocupante del vehículo. (Fig. B) El cinturón de seguridad troncal debe ir montado al pilar "B" del vehículo; de lo contrario, aumenta el riesgo de producirse lesiones abdominales severas al usuario.

10. Se debe contar con un sistema de sujeción de cabeza apropiado para el transporte (ver etiqueta del reposacabezas) instalado y colocado correctamente en todo momento durante el traslado.
11. No se deben utilizar los soportes posturales (cinturones de posicionamiento, cinturones pélvicos) para la sujeción del ocupante en un vehículo en movimiento, a menos que lleven la etiqueta de conformidad con los requisitos especificados en las normas ISO 7176-19 o SAE J2249.
12. La seguridad del usuario durante el transporte depende del cuidado de la persona que ajuste los cinturones de seguridad, quien deberá haber recibido instrucciones o entrenamiento pertinentes para el uso de los mismos.
13. En la medida de lo posible, aleje de la silla de ruedas de todo el equipamiento auxiliar que lleve, por ejemplo: Bastones, Cojines sueltos y Mesas.
14. Los reposapiés elevables no deben usarse en posición elevada cuando la silla de ruedas y el usuario están siendo transportados y la silla de ruedas está amarrada con el sistema de sujeción de seguridad en vehículos de transporte.
15. Los respaldos reclinables deben colocarse en posición vertical.
16. Los frenos de mano deberán estar firmemente accionados.
17. El cinturón de sujeción debe ir montada en el pilar "B" del vehículo y no debe quedar alejada del cuerpo debido a los componentes de la silla de ruedas, tales como reposabrazos o ruedas.

NOTA: La silla Breezy Style se considera adecuada para ser utilizada como asiento en un vehículo solo si el kit de transporte está instalado en el armazón posterior. Para el Reino Unido, este kit viene instalado en el modelo ESTÁNDAR, pero para otros países, el kit es OPCIONAL y debe elegirse en la hoja de pedido.

⚠ ¡PELIGRO!

- El kit de transporte debe estar instalado en la silla de ruedas antes de poder utilizar esta para trasladar un pasajero en un vehículo.
- Solo un distribuidor autorizado de Sunrise Medical puede instalar el kit de transporte.



Instrucciones para utilizar el sistema de sujeción:

1. El cinturón de seguridad pélvico debe usarse por delante de la pelvis, de manera que el ángulo del cinturón quede dentro de la zona de preferencia (entre 30 y 75 grados respecto del suelo). Siempre es mejor un ángulo más pronunciado (o mayor) dentro de la zona de preferencia, o sea, más cercano a los 75°, pero nunca excediéndolos. (Fig. C)

2. El cinturón de seguridad troncal debe colocarse por encima del hombro y debe atravesar el pecho, tal como se muestra en la ilustración Fig. D y E. Los cinturones de sujeción deben quedar ajustados en su punto más ceñido, siempre que resulte cómodo para el usuario. Los cinturones de sujeción no deben estar retorcidos cuando se los utiliza.

El cinturón de seguridad troncal debe colocarse por encima del hombro y debe cruzar por el hombro y el pecho, tal como se muestra en la ilustración Fig. D y Fig. E.

3. Los puntos de anclaje a la silla son: el lado delantero interior del armazón (justo arriba de la rueda delantera) y el lado posterior del armazón. Las correas están instaladas alrededor de los armazones laterales en la intersección de los tubos vertical y horizontal. (Vea Fig. G-H).

4. El símbolo del gancho de seguridad en el armazón (Fig. F) de la silla de ruedas indica la posición de la correa de sujeción de la silla. Las correas se tensionan después de que las correas delanteras se han fijado para asegurar la silla.

Ubicación de los cinturones de seguridad en la silla de ruedas:

1. Ubicación de las etiquetas de puntos de anclajes traseros (Fig. G - H).

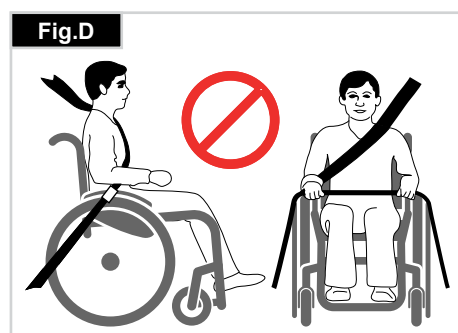
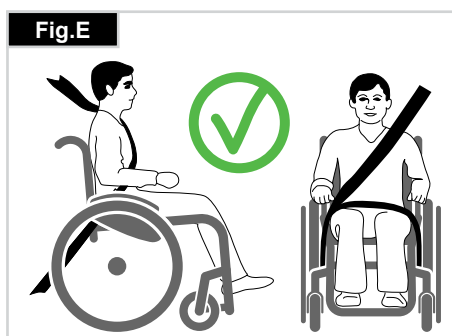
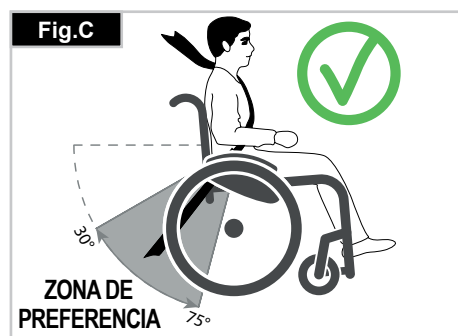
Peso mínimo de usuario 22 kg:

Cuando el usuario transportado es un niño, de menos de 22 kg de masa, y el vehículo en cuestión lleva menos de ocho (8) personas sentadas, se recomienda realizar una transferencia a un sistema de anclaje infantil (CRS) compatible con la regulación 44 de UNCE. Este tipo de piezas de anclaje proporciona un sistema de sujeción más eficaz para el ocupante que los sistemas convencionales de sujeción de 3 puntos y algunos sistemas CRS también incluyen soportes posturales para ayudar a mantener la posición del niño cuando está sentado.

En algunos casos, los padres, o los proveedores de cuidados, pueden considerar la opción de que el niño permanezca en su silla de ruedas mientras está en el vehículo de transporte debido a su nivel de comodidad y control postural de los ajustes de la silla de ruedas.

En esos casos le recomendamos que tanto un profesional de la salud u otra persona competente en la materia lleve a cabo una evaluación de riesgos.

Peso máximo del usuario: 136 kg.



Utilización

Para plegar la silla de ruedas

En primer lugar, retire el cojín del asiento de la silla de ruedas, y gire y levante la plataforma de reposapiés o las dos plataformas de reposapiés individuales. Sujete la tapicería o los tubos del asiento del medio, por atrás, y tire hacia arriba. La silla de ruedas queda así plegada. Para plegar la silla hasta su menor tamaño posible, para guardarla en un coche, por ejemplo, puede quitarle los reposapiés (dependiendo siempre del modelo). Para ello, abra la traba de afuera y gire el reposapiés hacia el costado. Una vez girado, tire de él hacia arriba para desmontarlo del tubo receptor (Fig. 1.0).



Transporte

Para moverla, debe levantar la silla de ruedas plegada sujetando la parte delantera de la cruceta y las empuñaduras.

Para desplegar la silla de ruedas

Ejercer presión hacia abajo sujetando de los tubos del asiento (ver figura). La silla queda así abierta por completo: Ahora, abra los tubos del asiento con un movimiento rápido hasta que vuelvan a su posición original. Este proceso puede resultar más fácil si se inclina levemente la silla hacia un lado. De esta forma, quita el peso de una de las ruedas traseras. **Procure no atraparse los dedos con la parte transversal del armazón.** Vuelva a instalar el cojín del asiento (Fig. 2.0).



Transporte de la silla de ruedas

Al transportar la silla desocupada en un vehículo (sin usuario), debe atarla o amarrarla correctamente.

Ejes de desmontaje rápido para ruedas traseras (Fig. 3.0)

Para hacer la silla lo más compacta posible, retire las ruedas traseras. Las ruedas traseras están equipadas con ejes de desmontaje rápido. Así las ruedas pueden montarse y desmontarse sin necesidad de ninguna herramienta. Para desmontar la rueda, simplemente presione el botón del eje (1) y tire de la rueda hacia fuera.

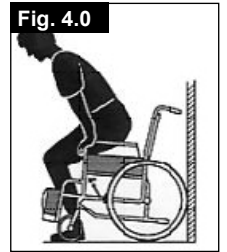


¡PRECAUCIÓN!

Para montar las ruedas traseras, mantenga presionado el botón del eje de desmontaje rápido mientras inserta el eje en la estructura. Suelte el botón para que la rueda quede fijada. El botón debe volver a su posición original al soltarlo.

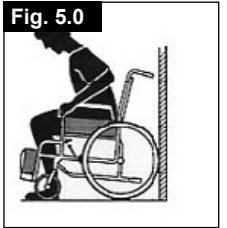
Cómo subir a la silla de ruedas de manera independiente (Fig. 4.0)

- Apoye la silla de ruedas contra un muro o mueble sólido;
- Aplique los frenos;
- Gire las plataformas del reposapiés hacia arriba;
- El usuario puede trasladarse a la silla;
- Baje las plataformas del reposapiés y coloque los pies sobre ellas por delante de los lazos de los tobillos.



Cómo bajar de la silla de ruedas de manera independiente (Fig. 5.0)

- Aplique los frenos;
- Gire las plataformas del reposapiés hacia arriba;
- Con una mano en cada reposabrazos, la persona debe inclinarse ligeramente hacia delante a fin de llevar el peso del cuerpo hacia el frente de la silla; ambos pies deben estar firmemente apoyados en el piso, pero con uno más atrás, que le ayudará a tomar el impulso necesario para incorporarse.



¡ADVERTENCIA!

Al ponerse de pie, no se pare sobre los reposapiés, de lo contrario la silla de ruedas se dará vuelta. Es más fácil y más seguro sentarse en la silla de ruedas si las plataformas del reposapiés están totalmente giradas hacia arriba y abiertas, para que no entorpezcan la entrada a la silla de ruedas.

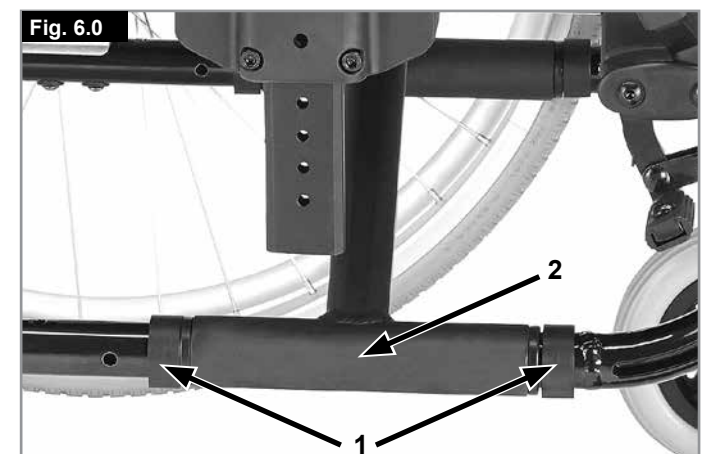
Opciones - Profundidad del asiento

PROFUNDIDAD DEL ASIENTO

Retirando los enganches (1), la cruceta (2) puede moverse a lo largo del armazón, permitiendo cambiar la profundidad del asiento (dependiendo de la posición de los tubos traseros).

Asegúrese de que los enganches (1) encajen en los agujeros que se encuentran en el armazón.

Para mantener el armazón lo más compacto posible, la profundidad del asiento puede también ser ajustada por medio de los tubos del respaldo (410 – 460mm en incrementos de 25mm). Para esto, extraiga los tornillos (1 y 2) del soporte del tubo posterior. Por consiguiente, retirar los tornillos de la pletina del eje (1, 2, 3) Retirar las ruedas y los reposabrazos y verificar que la cruceta esté en la posición deseada (si fuera necesario deslizar la cruceta como se describe arriba). Desplace los tubos del respaldo hasta alcanzar la posición deseada, y vuelva a ajustar los tornillos. Desplace el tubo receptor de los reposabrazos hasta alcanzar la posición deseada, (Fig. 6.0).



Opciones - Frenos

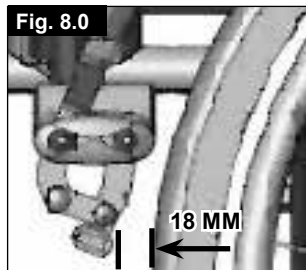
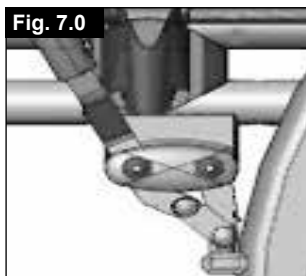
Frenos

Su silla de ruedas dispone de dos frenos que se aplican directamente sobre las ruedas. Para accionarlos, presione las dos palancas de los frenos hacia delante hasta su tope. Para quitarlos, tire de las palancas hacia atrás hasta su posición inicial.

La eficacia del frenado puede verse disminuida por:

- Cubiertas desgastadas
- Neumáticos poco inflados
- Cubiertas mojadas
- Frenos mal ajustados.

Los frenos no han sido diseñados para detener de golpe o reducir la velocidad de la silla. Por lo tanto no deben usarse nunca para frenar una silla en movimiento. Utilice siempre los aros de empuje para reducir la velocidad. Asegúrese de que la distancia entre los frenos y la rueda es la indicada en las especificaciones dadas. Para reajustarlos, suelte el tornillo y coloque el freno a la posición correcta. Vuelva a ajustar el tornillo (Fig. 7.0 + 8.0).



⚠ ¡PRECAUCIÓN!

Después de cada ajuste de las ruedas traseras, compruebe la distancia entre la rueda y el freno, y reajústelo si es necesario.

Extensión de freno

La extensión de la palanca de freno puede retirarse o plegarse. Cuanto más larga es la palanca de freno, menor es el esfuerzo necesario para accionar los frenos (Fig. 9.0).



⚠ ¡PRECAUCIÓN!

La instalación del freno demasiado cerca de la rueda dificultará su operación. Además, ¡la palanca de freno podría bloquearse!

⚠ ¡PRECAUCIÓN!

Apoyarse en la extensión de la palanca de freno al realizar una transferencia causará el bloqueo de la palanca. El agua que se salpica de las ruedas puede provocar una deficiente función del freno.

Frenos de tambor

Los frenos de tambor permiten una detención segura y conveniente para el asistente. Pueden instalarse también con la ayuda de una palanca de bloqueo (1) para evitar que la silla empiece a rodar. Este gatillo encaja en su sitio haciendo un ruido rápido y seco. La efectividad de los frenos de tambor no depende de la presión de aire que haya en las cubiertas. La silla de ruedas no puede moverse si se le aplican los frenos de tambor, (Fig. 10.0).



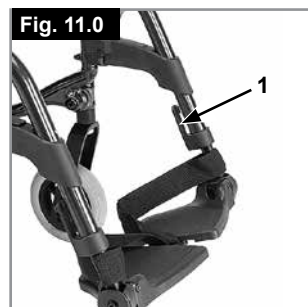
⚠ ¡PRECAUCIÓN!

Los frenos de tambor sólo deben ser instalados por un representante autorizado.

Opciones - Plataformas de reposapiés

Plataformas reposapiés:

La plataforma reposapiés se puede abatir hacia arriba para facilitar las transferencias.

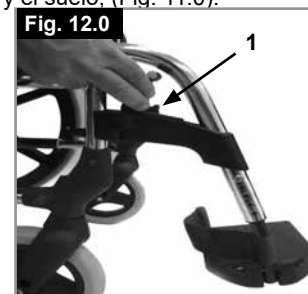


Largo de la pierna (rodilla a tobillo):

Para usuarios con piernas más largas, el soporte de pierna puede bajarse al nivel adecuado mediante los tornillos (1). Afloje los tornillos, tire de los tubos hasta colocarlos en la posición deseada, y luego vuelva a ajustar los tornillos (Consulte la página de "Presión"). Se deberá mantener un espacio de 25 mm entre las plataformas del reposapiés y el suelo, (Fig. 11.0).

Reposapiés y desenclavador

El reposapiés puede girarse y plegarse hacia el interior, o hacia fuera. Al instalar el reposapiés, las plataformas deben apuntar hacia dentro o fuera. Luego debe girar el reposapiés hacia el medio hasta que se trabe en posición. Para extraerlo, tire de la palanca (1), gire la plataforma hacia dentro o hacia fuera y, a continuación, levante y retire el reposapiés. Asegúrese de que el reposapiés esté bien trabado en posición, (Fig. 12.0).

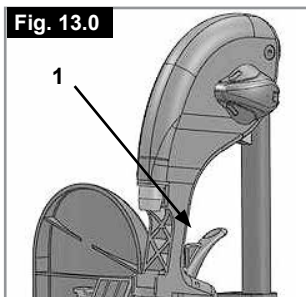


⚠ ¡PRECAUCIÓN!

- Los reposapiés no deben utilizarse para levantar la silla de ruedas.
- Al subir o bajar de la silla de ruedas, no utilice las plataformas reposapiés. Antes deben girarse hacia arriba y abrirse hacia afuera al máximo ángulo posible.

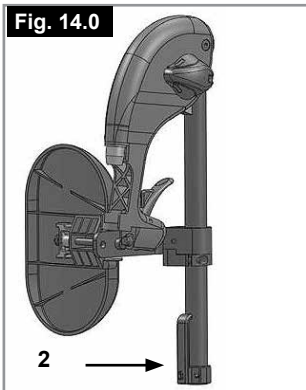
Reposapiés elevables (opcional)
(Fig. 13.0 - 15.0)

Para extraerlo, tire de la palanca (1), gire el reposapiés hacia fuera y, a continuación, levante y retire el reposapiés.



Ajuste de la altura:

Puede ajustar el largo de la parte inferior de la pierna indefinidamente aflojando el tornillo (2) Una vez alcanzada la altura adecuada, vuelva a ajustar el tornillo.

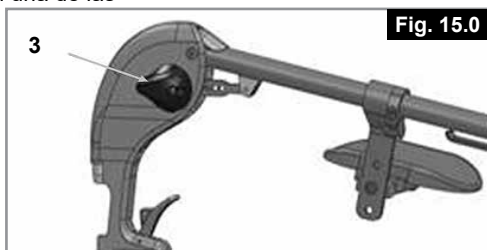


¡PRECAUCIÓN!

La distancia entre la plataforma reposapiés y el suelo debe ser de 40 mm como mínimo.

Ajuste de ángulo:

Presione la palanca (3) hacia abajo con una mano mientras sostiene el reposapiés con la otra para quitar peso. Al lograr el ángulo deseado, suelte la palanca y el reposapiés quedará trabado en una de las posiciones predeterminadas.

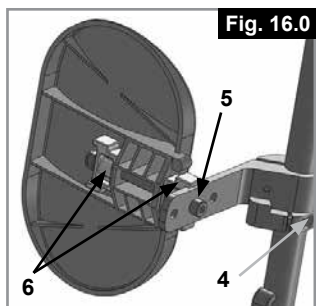


¡PRECAUCIÓN!

- Mientras esté elevando o bajando el reposapiés mantenga las manos lejos del mecanismo de ajuste entre el armazón y las partes móviles del reposapiés.
- Los reposapiés no deberán utilizarse para levantar o cargar la silla de ruedas.
- Los dedos pueden quedar atrapados!
- Al girar la plataforma reposapiés hacia arriba o abajo, no coloque los dedos en el mecanismo de ajuste entre las partes móviles de la plataforma.

Ajuste de la almohadilla para pantorrillas

Ajuste la almohadilla para pantorrillas de la siguiente manera:
Altura: Abra el tornillo (4 Fig. 16.0) y desplace la pieza de sujeción a la posición deseada. Rotando la pieza de sujeción también podrá ajustar el ángulo.
Profundidad: Abra el tornillo (5) y desplace la almohadilla para pantorrillas a la posición deseada.
Anchura: Abra el tornillo (5) y coloque los espaciadores (6) detrás de la almohadilla, para alcanzar la posición deseada.

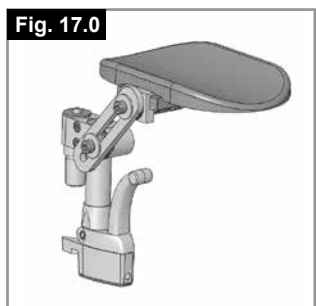


¡PRECAUCIÓN!

Compruebe siempre que los anclajes estén asegurados.

Soporte -almohadilla para amputado
(Fig. 17).

La almohadilla para amputado se puede colocar en diferentes posiciones para una mayor comodidad.



Opciones - Ruedas delanteras

Ruedas delanteras, pletinas, horquillas

Si, con el tiempo, su silla se va ligeramente hacia la derecha o hacia la izquierda, o bien las ruedas delanteras oscilan, las causas pueden ser:

- El juego de la rueda delantera no ha sido ajustado correctamente.
- El ángulo de la rueda delantera no ha sido ajustado correctamente.
- La presión de la rueda delantera y/o trasera no es correcta; las ruedas no giran de manera fluida.

La silla de ruedas no avanzará en línea recta si las ruedas delanteras no están correctamente ajustadas. El ajuste de las ruedas delanteras debería ser siempre realizado por un distribuidor autorizado. Las ruedas delanteras y los frenos deben reajustarse cada vez que se modifique la posición de las ruedas traseras. La altura del asiento está determinada por la posición de las ruedas delantera y la trasera. La altura del asiento puede modificarse alterando la posición de las ruedas traseras y delanteras (ver tabla de alturas de asiento en la página 14).

¡PRECAUCIÓN!

Tras establecer la altura deseada del asiento, debe volver a ajustar todos los tornillos y los frenos deben reajustarse.

Opciones - Posición de la rueda delantera

Descripción de componentes

1. Arandela dentada 2. Rueda delantera 3. Arandela de plástico
 4. Adaptador de la rueda delantera 5. Arandela 6. Tornillo
 7. Llave Allen

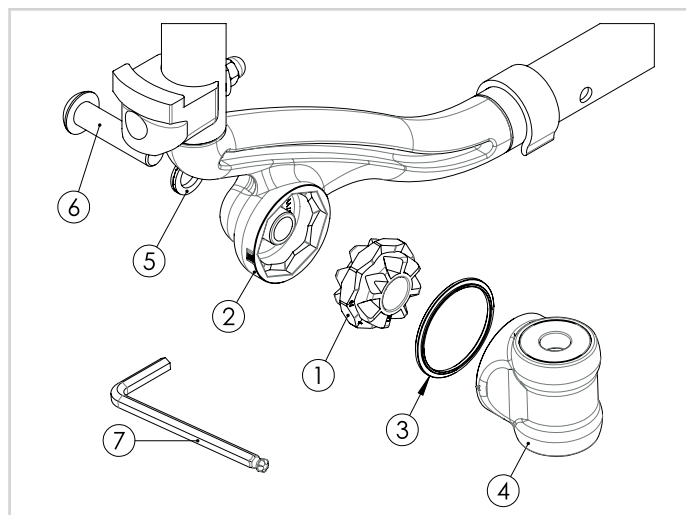


Fig. A

Seleccione la posición de ajuste de la arandela dentada y la mano (Der./Izq.).

A1-lado A (pos. 1, Pos. 2)

A2-lado B (pos. 3, Pos. 4)

Nota 1: (consulte la tabla de configuración del proveedor para elegir la posición de ajuste de la altura del asiento)

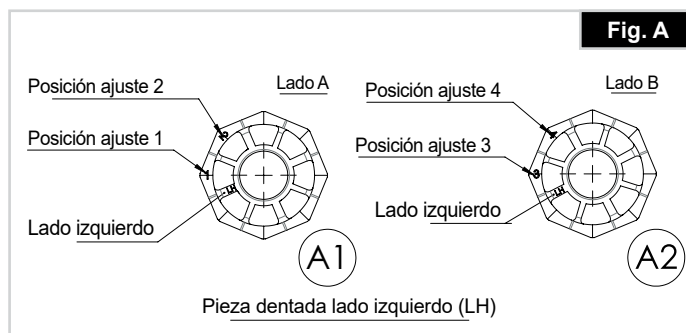


Fig. B

Inserte la arandela dentada ① en la rueda ② delantera.

B1- la mano de la arandela ① dentada debe coincidir con la mano de la rueda ② delantera.

B2- el "número" de ajuste de la arandela dentada debe coincidir con la referencia de la rueda delantera.

B3 - inserte el tornillo en la arandela y el ⑤ orificio de la rueda delantera ②.

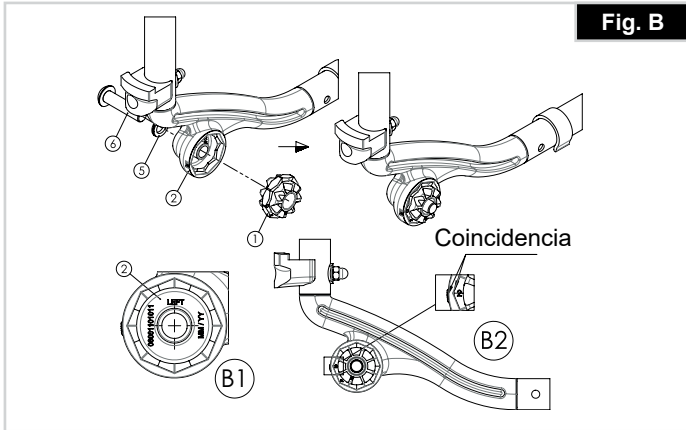


Fig. C

Inserte la arandela plástica ③ en el adaptador de ④ la rueda delantera

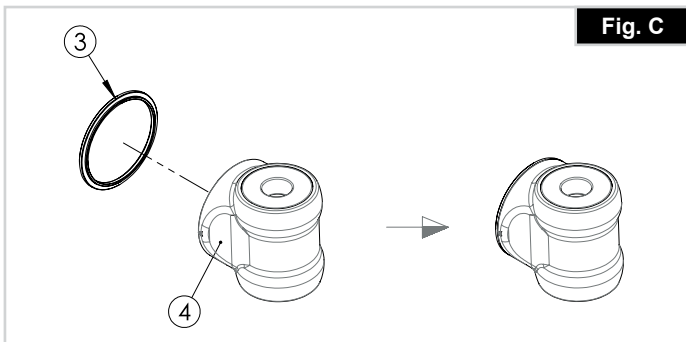


Fig. D

Una el conjunto de piezas "C" con la arandela dentada.

D1- la flecha del adaptador de la rueda ④ delantera debe coincidir con el número de referencia de la rueda delantera.

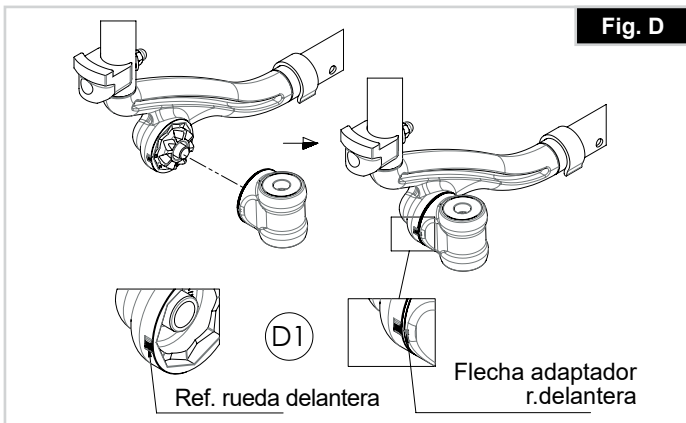
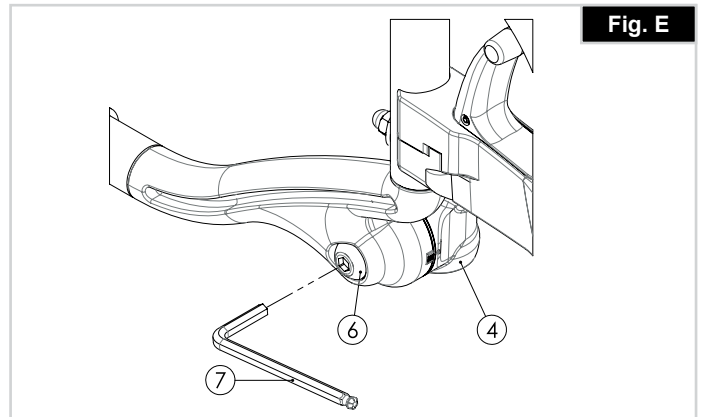


Fig. E

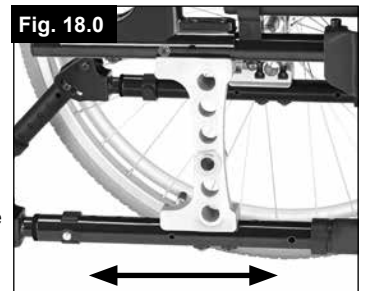
Con la llave Allen larga (nº6) ⑦, ajuste el tornillo ⑥, con el adaptador de la rueda delantera ④, según la torsión de ajuste recomendada.



Opciones - Posición del eje horizontal

La pletina del eje puede ser colocada hacia delante para una máxima maniobrabilidad o hacia atrás para mayor estabilidad (Fig. 18.0).

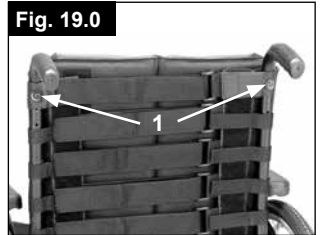
Cuanto mayor es la distancia entre los ejes, menores son las probabilidades de que la silla de ruedas vuelque



Opciones: Respaldo

Respaldo ajustable en altura

Puede ajustar la altura del respaldo en cuatro posiciones diferentes. Afloje y retire el tornillo (1), y ubique la tapicería en la posición deseada. Vuelva a ajustar los tornillos, (Fig. 19.0).



Respaldo partido

Cómo desplegar el respaldo: Para colocar el respaldo en posición recta, tire de las empuñaduras hacia arriba y adelante hasta que queden trabadas, (Fig. 20.0).



⚠ ¡ADVERTENCIA!

Mantenga los dedos y otros objetos alejados del mecanismo de plegado cuando esté plegando el respaldo, para evitar lesiones o daños a los objetos.

Cómo plegar el respaldo:

Se puede plegar el respaldo para agilizar el almacenamiento de la silla de ruedas, (Fig. 22.0).

⚠️ ¡PRECAUCIÓN!

No realice esta operación bajo peso, ya que podría ocasionar la rotura de la palanca.

Para plegar el respaldo, colóquese detrás de la silla de ruedas, presione las dos palancas pequeñas (Fig. 21.0) ubicadas a cada lado del respaldo (arriba de los reposabrazos). Pliegue el respaldo hacia delante.



Respaldo ajustable en ángulo (0° - 30°)

Al tirar de las dos palancas juntas (1), puede dejar suelto el respaldo y colocarlo en la posición deseada.

Al soltar las dos palancas (1) el respaldo queda fijado automáticamente en ese lugar (Fig. 22.0).



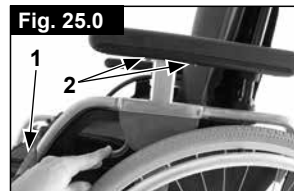
Protector lateral, abatible, desmontable con reposabrazos largos o cortos, ajustable en altura

Ajuste la altura del reposabrazos de la siguiente manera.

Desplace la palanca hacia abajo y desplace el reposabrazos hasta la altura deseada.

Libere la palanca y presione el reposabrazos hacia abajo hasta escuchar el clic que indica que encajó en su posición. Siempre compruebe que los protectores laterales estén en posición.

Para plegar el reposabrazos, empuje la palanca (1), para liberar el protector lateral.



El largo del reposabrazos puede modificarse si se extraen los tornillos (2), se coloca el reposabrazos en la posición deseada, y se vuelven a ajustar los tornillos (Fig. 25.0).

⚠️ PRECAUCIÓN:

- No deben usarse ni los protectores laterales ni los reposabrazos para levantar o cargar la silla de ruedas.
- Cuando utilice una rueda trasera de 24", el almohadillado del reposabrazos debe colocarse un nivel más arriba.

Reposabrazos ajustable en altura mediante herramientas

Instalación: Deslice e inserte el tubo del reposabrazos en el receptor, ubicado en el armazón de la silla de ruedas, hasta que haga tope

Ajuste de la altura:

Deslice y extraiga el tubo del reposabrazos del receptor.

Ajuste la posición del soporte de ajuste de altura (1) extrayendo el tornillo (2) y colóquelo en la posición deseada. Vuelva a ajustar el tornillo y ajústelo.

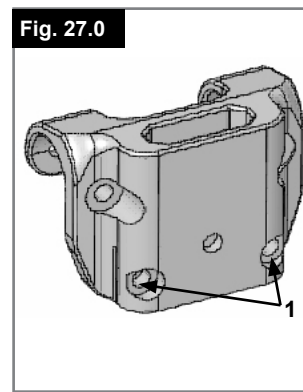
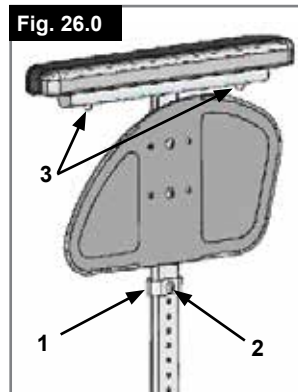
Vuelva a insertar el tubo del reposabrazos en el receptor (Fig. 26.0).

Posición del almohadillado:

Puede ajustar la posición del almohadillado aflojando los tornillos (3) y, a continuación, desplazando el almohadillado hasta la posición deseada. Vuelva a ajustar los tornillos (Fig. 26.0).

Ajuste del receptor del reposabrazos

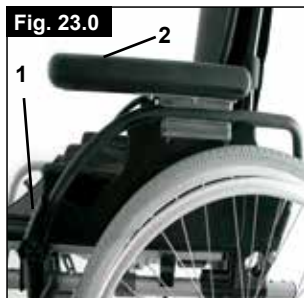
Puede ajustar la presión del receptor del reposabrazos (más o menos apretado) mediante los dos tornillos (1) - (Fig. 27.0).



Opciones – Reposabrazos

Protector lateral estándar, abatible, desmontable con reposabrazos cortos o largos

El protector lateral con bordes delanteros redondeados le permite acercarse a la mesa. Para plegar el reposabrazos, empuje la palanca (1), para liberar el protector lateral (Fig. 23.0 + 24.0).



La altura del reposabrazos (2) puede modificarse estableciendo el soporte espaciador en varias posiciones. Para esto, extraiga los tornillos, cambie de posición el soporte espaciador y vuelva a ajustar los tornillos. El largo del reposabrazos puede modificarse si se extraen los tornillos (3), se desplaza el reposabrazos en la posición deseada y se vuelven a ajustar los tornillos (Fig. 24.0).



⚠️ PRECAUCIÓN:

- No deben usarse ni los protectores laterales ni los reposabrazos para levantar o cargar la silla de ruedas.
- Procure no atraparse los dedos al ajustar la altura de la almohadilla para brazos.

REPOSABRAZOS REGULABLES EN ALTURA

Para ajustar la altura, tire de la palanca (1) y empuje el reposabrazos hasta la altura deseada. Después asegúrese de que la palanca (1) vuelve a trabarse en su posición original. La extracción del reposabrazos se lleva a cabo de la misma manera.



Para retirar completamente el protector lateral, empuje la palanca (2). Al instalar el protector lateral, también debe tirarse de la palanca (2).

Siempre compruebe que el protector lateral encaja en su posición correcta en el receptor. (Fig. 28.0)

Opciones - Ruedas antivuelco

Ruedas anti-vuelco

Los tubos anti vuelco proporcionan seguridad adicional para los usuarios con poca experiencia, cuando todavía están aprendiendo a operar la silla de ruedas. Las ruedas anti-vuelco evitan que la silla de ruedas se vuelque hacia atrás, (Fig. 29.0).



Al pulsar el botón de desmontaje (1), las ruedas anti-vuelco pueden colocarse hacia arriba o, directamente, extraerse. Se deberá mantener un espacio de 30 a 50 mm entre los anti-vuelcos y el suelo.

Cuando suba y baje obstáculos grandes (tales como bordillos) deberá deslizar las ruedas anti-vuelco hacia delante para evitar que éstos toquen el suelo. Luego vuelva a rotar las ruedas anti-vuelco a su posición normal.

¡ADVERTENCIA!

La instalación incorrecta de las ruedas antivuelco aumenta el riesgo de una inclinación excesiva hacia atrás.

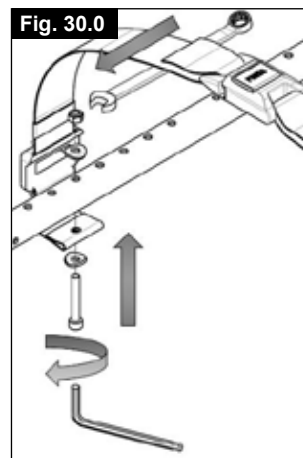
Cinturón de sujeción pélvico

¡PELIGRO!

- Antes de usar la silla de ruedas recuerde usar el cinturón de seguridad pélvico.
- El cinturón de seguridad debe revisarse a diario para comprobar que no presente signos de desgaste ni obstrucciones.
- Compruebe siempre que el cinturón de posicionamiento esté correctamente asegurado y ajustado antes de usarlo. Si la correa está muy floja, el usuario podría resbalar y correr el riesgo de asfixia o sufrir una lesión severa.

El cinturón de seguridad está instalado en la silla de ruedas tal como se muestra en las ilustraciones. El cinturón de seguridad consta de dos mitades. Ambas partes se colocan pasando el pasador de retención del asiento a través del ojal del cinturón. El cinturón pasa por debajo de la parte trasera del panel lateral. (Fig. 30.0)

Ajuste la posición del cinturón de manera que las hebillas queden en la parte central del asiento. (Fig. 31.0)



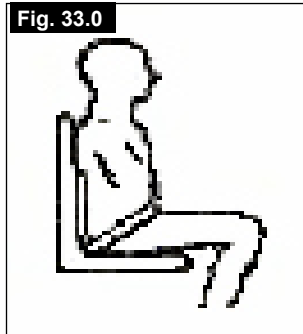
Ajuste el cinturón de seguridad según las necesidades del usuario, tal como se indica a continuación:

Para reducir el largo del cinturón	Para aumentar la longitud del cinturón
<p>Deslice de nuevo la correa a través de la pieza de regulación de la hebilla macho. Asegúrese de que la correa no presenta ningún doblez en la hebilla macho.</p>	<p>Deslice la correa a través de la pieza de regulación de la hebilla macho a fin de aumentar la longitud del cinturón.</p>

Cinturón de sujeción pélvico >>>

Al ajustar, compruebe el espacio que queda entre el cinturón pélvico y el usuario. Un cinturón correctamente ajustado no deja insertar más que la mano plana entre el cinturón de seguridad y el usuario. (Fig. 32.0)

El cinturón de seguridad debe estar instalado de manera tal que las correas queden ubicadas en un ángulo aproximado de 45 grados por encima de la pelvis del usuario. El usuario debe estar incorporado y ubicado lo más atrás posible en el asiento cuando el cinturón está ajustado de manera correcta. El cinturón de seguridad debe impedir que el usuario resbale hacia abajo por el asiento. (Fig. 33.0)




Para abrochar la hebilla:
Empuje firmemente la hebilla macho dentro de la hebilla hembra.



Para liberar la hebilla:
Presione las alas de la hebilla macho y empújelas hacia el centro mientras tira con suavidad.

⚠ ¡ADVERTENCIA!

- Si tiene dudas acerca del uso y funcionamiento del cinturón de seguridad, solicite ayuda al profesional sanitario, distribuidor autorizado de sillas de ruedas, cuidador o asistente.
- Si desea instalar un cinturón de seguridad, póngase en contacto con su distribuidor autorizado de Sunrise Medical.
- El cinturón de seguridad de falda debe revisarse a diario para comprobar que esté correctamente ajustado y no presente signos de desgaste ni obstrucciones.
- Sunrise Medical no recomienda el transporte de personas en vehículos utilizando este cinturón de seguridad como método de sujeción.

 Consulte el manual de tránsito de Sunrise Medical a fin de obtener más información sobre el transporte.

Mantenimiento:

Revise el cinturón de seguridad y los componentes de sujeción con regularidad para comprobar que no haya signos de desgaste ni daños. Cámbielo si es necesario.

⚠ ¡ADVERTENCIA!

El cinturón de seguridad debe ajustarse según las necesidades del usuario final, tal como se detalla anteriormente. Sunrise Medical recomienda verificar la extensión y ajuste del cinturón de manera regular a fin de evitar que se haya alargado demasiado inconscientemente durante su uso continuado.

Opciones - Soporte de bastones

Soporte de bastones

Este dispositivo permite transportar los bastones directamente en la propia silla de ruedas. Tiene a una cinta de Velcro para sujetar los bastones o cualquier otra ayuda (Fig. 34.0).



¡ADVERTENCIA!

No trate nunca de utilizar o intente extraer el bastón mientras esté en movimiento.

Opciones - Mesa

Mesa

La bandeja proporciona una superficie plana para cualquier tipo de actividad. Antes de utilizar la bandeja, su representante autorizado debe ajustarla por primera vez según la anchura del asiento. El usuario debe estar sentado durante las pruebas (Fig. 35.0).

Carga máxima: 40 kg



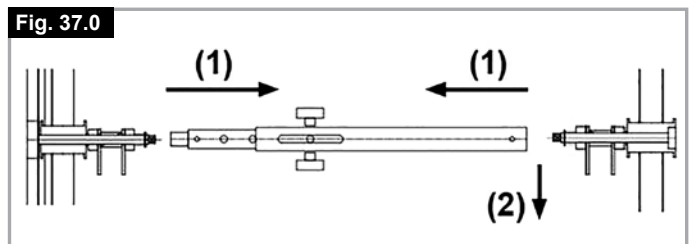
Opciones - Sistema de hemiplejía

Sistema de hemiplejía (Fig. 36.0 - 37.0)

Para propulsar la silla en línea recta hacia adelante, deben utilizarse las dos empuñaduras. Para plegar la silla de ruedas, desconecte la barra telescópica presionando la palanca de liberación hacia adentro (1). Para extraer las ruedas, tire del pomo de liberación 2.

⚠ ¡PRECAUCIÓN!

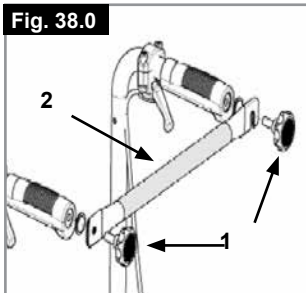
Asegúrese siempre de que las conexiones estén configuradas correctamente para evitar lesiones.



Opciones – Barra rigidizadora

RECLINACIÓN BARRA RIGIDIZADORA

Afloje el pomo (1) y rote la barra rigidizadora (2) para que no interrumpa el pliegue de la silla. Para volver a colocarla en la silla de ruedas, realice el procedimiento de arriba en el orden inverso, (Fig. 38.0).



¡PELIGRO!

- Antes de utilizar la silla de ruedas, compruebe que la barra rigidizadora y los pomos estén en posición y ajustados de manera correcta.
- ¡No utilice nunca la barra rigidizadora para levantar la silla!

Cubiertas y montaje

Cubiertas y montaje

Las ruedas neumáticas son las estándar cuando salen de fábrica.

Si usa cubiertas neumáticas, asegúrese siempre de que las cubiertas tengan la presión adecuada, ya que esto puede influir en la utilización correcta de la silla. Si la presión de las cubiertas es muy baja, aumentará la resistencia al rodar, por lo que se necesitará de mayor esfuerzo para impulsar la silla hacia delante. También perjudica la maniobrabilidad. Si la presión es muy alta, la cubierta podría estallar. La presión correcta aparece impresa en la misma superficie de la cubierta.

Las cubiertas se montan igual que las cubiertas de una bicicleta. Antes de instalar la cámara, debe asegurarse siempre de que la base de la llanta y el interior de la cubierta están libres de objetos extraños. Compruebe la presión después de instalar o reparar la cubierta. Es vital para su seguridad y para la correcta utilización de la silla mantener la presión adecuada y las cubiertas en buen estado.

Opciones - Reposacabezas

REPOSACABEZAS

El reposacabezas puede elevarse y moverse hacia adelante y atrás. Para esto, sólo hay que soltar el tornillo, ajustarlo a la posición deseada, y apretar de nuevo los tornillos (Consulte la página de "Presión") (Fig. 39.0).



Opciones – Ruedas de tránsito

RUEDAS DE TRÁNSITO

Las **ruedas de tránsito** son para utilizar en espacios donde su silla de ruedas resulte demasiado ancha con las ruedas traseras (por ejemplo, aviones, autobuses...). Al retirar las ruedas traseras mediante el desmontaje rápido, las **ruedas de tránsito** se pueden utilizar inmediatamente. Cuando no se utilicen, las **ruedas de tránsito** deben quedar a 3 cm. por encima del suelo. De esta manera no estorbarán al propulsarse, o al superar obstáculos. (por ejemplo bordillos, alcantarillas, etc.) (Fig. 40.0).

⚠ PRECAUCIÓN:

Cuando está utilizando las ruedas de tránsito, su silla no lleva frenos.



Placa de Identificación

Placa de Identificación

La placa de identificación del modelo está situada en la parte superior de la cruceta, y también en una etiqueta en el manual del usuario. La placa de identificación indica la designación exacta del modelo, además de otros datos técnicos. Al solicitar repuestos, o en caso de incidencias, indique los siguientes datos:

- Número de serie
- Número de pedido
- Mes / Año



	Sunrise Medical GmbH Kahlbachring 2-4 D-69254 Malsch / Germany		2021-04-09
TYPE:	Rollstuhl	SN	203211733451939
Style X Ultra	ISO 7176-19:2008		
	150 kg		max 10°
	400 mm		435 mm

TYPE:	Nombre del producto, número de referencia (SKU)
	La pendiente máxima segura con ruedas antivuelco depende de la configuración de la silla de ruedas, la postura y las capacidades físicas del usuario.
	Ancho del asiento
	Profundidad del asiento
	Carga máxima.
	Marca UKCA.
	Marca CE.
	Consulte las instrucciones de uso
	xxxx-xx-xx Fecha de fabricación.
	Número de serie.
	Este símbolo significa Dispositivos Médicos.
	Dirección del fabricante.
ISO 7176-19:2008	Crashtested de conformidad con: ISO 7176-19:2008.
	Dirección del importador
UK RP	Persona responsable en el Reino Unido
CH REP	Dirección del representante en Suiza

Mantenimiento y cuidado

INSPECCIÓN DE SEGURIDAD:

El usuario será el primero en notar cualquier posible defecto. Por lo tanto, recomendamos llevar a cabo las verificaciones siguientes cada vez que vaya a usar el producto:

- Que la presión de los neumáticos sea la correcta.
- Que los frenos funcionen correctamente.
- Que todos los componentes extraíbles estén correctamente instalados (p. ej., reposabrazos, hangers, ejes de desmontaje rápido, etc.).
- En caso de detectar daños o defectos, tenga a bien contactar con su representante autorizado.

MANTENIMIENTO:

Verifique con regularidad la presión de los neumáticos. Verifique con regularidad (al menos una vez al año) si los neumáticos están desgastados o dañados. Cambie los neumáticos no bien detecte signos de desgaste o daño. Verifique con regularidad (al menos una vez al año) si las tapicerías del respaldo y asiento presentan daños o desgaste. Cambie estas piezas no bien detecte signos de desgaste o daño. Verifique con regularidad (al menos una vez al año) si los componentes del armazón general y del respaldo presentan daños o desgaste. Cambie estas piezas no bien detecte signos de desgaste o daño.

Verifique con regularidad (al menos una vez al año) si los frenos están desgastados o dañados. Compruebe que funcionen correctamente y puedan usarse con facilidad. Cambie los frenos no bien detecte signos de desgaste o daño. Compruebe con regularidad (al menos una vez al año) que todos los tornillos están seguros (ver sección sobre Presión). Todos los tornillos que son fundamentales para un uso seguro de la silla de ruedas llevan tuercas de seguridad. Las tuercas de seguridad deberían ser utilizadas solamente una vez, y ser reemplazadas después de muchos usos.

NOTA: Si cuenta con las medidas de torsión, recomendamos encarecidamente que utilice un dispositivo medidor para comprobar que el ajuste a la medida de torsión sea correcto. Use únicamente detergentes suaves para limpiar su silla. Utilice solo jabón y agua para limpiar la tapicería del asiento y el cinturón de falda. Teniendo en cuenta la frecuencia y el tipo de uso de la silla, es recomendable que lleve la silla de ruedas a un distribuidor autorizado con regularidad (al menos una vez al año) para que personal autorizado lleve a cabo una inspección general y las tareas de mantenimiento necesarias.

⚠ ¡PRECAUCIÓN!

La arena, la sal y el agua del mar pueden afectar los cojinetes delanteros de las ruedas delanteras y traseras. Limpie y seque la silla de ruedas con cuidado tras haberla expuesto a estos elementos.

Medidas de higiene al reutilizar la silla:

Antes de volver a dar uso a la silla, debe prepararla con cuidado. Todas las superficies que entran en contacto con el usuario deben ser tratadas con un spray desinfectante. Para ello, debe utilizar un desinfectante autorizado/recomendado en su país, a base de alcohol, para una desinfección rápida de productos y dispositivos médicos que deben desinfectarse rápidamente.

Tenga en cuenta las instrucciones del fabricante del desinfectante que usa. Por lo general, no se puede garantizar una desinfección completa en las costuras o juntas. Por lo tanto, le recomendamos que deseche los arneses de asiento y respaldo para evitar la contaminación microbacteriana con agentes activos, de acuerdo con la ley local de protección contra infecciones.



ISO 7010-M002
Debe leerse el manual/libro de instrucciones. (Icono azul)

Posibles Problemas

La silla de ruedas se desplaza hacia un lado

- Compruebe la presión de los neumáticos (solo en cubiertas neumáticas).
- Compruebe que las ruedas giran libremente (rodamientos, eje).
- Compruebe que el ángulo de las ruedas delanteras es el mismo en ambas y que las dos se apoyan en el suelo.
- Compruebe que los rodamientos de la horquilla de las ruedas delanteras rotan sin obstáculos.

Las ruedas delanteras oscilan

- Compruebe el ángulo de las ruedas delanteras.
- Compruebe que todos los tornillos están seguros; ajústelos de ser necesario (ver sección Presión).
- Compruebe que ambas ruedas delanteras se apoyan en el suelo

La cruceta no queda en posición correcta en el asiento

- La silla todavía es muy nueva; es decir, la tapicería del asiento o del respaldo aún está demasiado rígida. Este factor mejorará con el tiempo.

Cuesta plegar la silla de ruedas

- La tapicería del respaldo está demasiado rígida. Aflójela de ser necesario.

La silla de ruedas se mueve y cruje

- Compruebe que todos los tornillos están seguros; ajústelos de ser necesario (ver sección Presión).
- Lubrique los puntos donde las partes móviles rozan entre sí

La silla de ruedas oscila

- Compruebe el ángulo de las ruedas delanteras.
- Compruebe si están desgastados o dañados.
- Compruebe si las ruedas traseras están ajustadas o colocadas de manera distinta.

Desecho / reciclaje de los materiales

NOTA: Si esta silla le fue entregada libre de coste, es posible que no le pertenezca. Si ya no la necesita, siga las instrucciones de la institución que le proporcionara la silla de ruedas para devolvérsela.

La información que sigue describe los materiales utilizados en la silla de ruedas con relación al desecho o reciclaje de la silla y su embalaje. Es posible que en el área que usted se encuentra rijan leyes específicas sobre materiales de desecho y reciclaje, las cuales deben tomarse en cuenta al momento de organizar la disposición de la silla. (Estas reglas pueden incluir la limpieza o descontaminación de la silla previamente a su disposición).

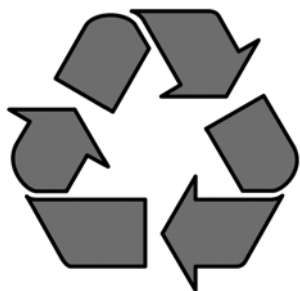
Aluminio: Armazones laterales, reposabrazos, armazón, reposapiés.

Plástico: Cubiertas de empuñaduras, tapones de tubos, ruedas pivotantes, plataformas de reposapiés, almohadillas para brazos y rueda/neumático de 12", ruedas, protectores laterales.

Embalaje: Bolsa de polietileno de baja densidad, caja de cartón.

Tapicería: Trama de poliéster con cobertura de PVC y espuma expandida de combustión modificada.

El descarte o reciclaje debe ser llevado a cabo por un agente o sitio autorizado de desechos. En algunos países, el distribuidor autorizado puede llegar a contemplar la posibilidad de encargarse del desecho de la silla de ruedas.



Datos técnicos

Especificaciones Técnicas

Ancho total:

Con ruedas estándar incluyendo aros de empuje: AA +180 mm
Con ruedas con frenos de tambor incluyendo aros de empuje, montaje cerrado: AA + 200 mm

Dimensiones plegada:

- con ruedas traseras, aprox. 275 mm
- sin ruedas traseras, aprox. 220 mm

Peso en kilos:

- Transporte (sin plataforma reposapiés, ruedas, ni protectores laterales) 8,2 kg
- Reposapiés (unidad):0,75 kg
- Protector lateral (unidad) 1,3 kg
- Ruedas (unidad) 1,75 kg

Peso máximo del usuario:

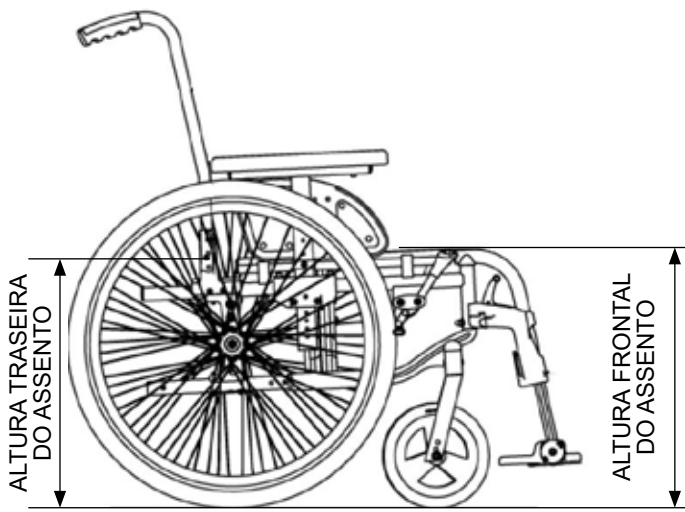
- Breezy Style X soporta una carga de hasta 125 kg
- Breezy Style X Ultra hasta una carga de 150 kg (136 kg si la silla lleva anclajes para el transporte en vehículos "Crash-tested").

Según lo establecido en EN12183: 2014, todas estas piezas enunciadas (asiento - tela de respaldo, almohadilla del reposabrazos, panel lateral, etc.) son resistentes al fuego, de conformidad con la norma EN1021 Parte 1/2.

El tomar una pendiente de forma dinámica y segura depende de la configuración de la silla, de la habilidad de conducción del usuario y del estilo de montaje. Debido a que la habilidad de conducción y el estilo de montaje del usuario no son factores predeterminados, la pendiente segura máxima no puede determinarse tampoco. Por lo tanto, el usuario y un asistente deberán determinar estos factores a fin de evitar vuelcos inadvertidos. Por lo tanto, el usuario y un asistente deberán determinar estos factores a fin de evitar vuelcos inadvertidos.

La silla de ruedas responde a las siguientes normativas:

- a) Requisitos y métodos de prueba de resistencia estática, impacto y fatiga (ISO 7176-8)
- b) Requisitos para resistencia al encendido de conformidad con ISO 7176-16 (EN 1021-1/2)



ALTURA FRONTAL DO ASSENTO: (mm)	385 / 410 / 435 / 460 / 485 / 510
ALTURA TRASEIRA DO ASSENTO: (mm)	365 / 390 / 415 / 440 / 465 / 490

Nota: A diferença máxima entre a altura dianteira e traseira do assento é de 40 mm

385	5"		1A	
410	5"		3A	
435	5"			1A
460	5"			3A
485	5"			3B
510	5"			
385	6"			
410	6"		2A	
435	6"		4A	
460	6"			2A
485	6"			2B
510	6"			4B
385	8"			-
410	8"			-
435	8"			-
460	8"		4A	
485	8"			2A
510	8"			2B

ÂNGULO DO ASSENTO 0° (0°,2° / -0°.2)			
NÚMERO DA POSIÇÃO DA RODA GIRATÓRIA 1			
385 / 385	24"	1	
410 / 410	24"	2	
435 / 435	24"	3	
460 / 460	24"	4	
485 / 485	24"	5	
510 / 510	24"	6	
385 / 385	22"	2	
410 / 410	22"	3	
435 / 435	22"	4	
460 / 460	22"	5	
485 / 485	22"	6	
510 / 510	22"		
385 / 385	12"		
410 / 410	12"		1
435 / 435	12"		2
460 / 460	12"		3
485 / 485	12"		4
510 / 510	12"		


ÂNGULO DO ASSENTO 3° (2°,2° / 3°,4)			
NÚMERO DA POSIÇÃO DA RODA GIRATÓRIA 3			
385 / 365	24"		
410 / 390	24"	1	
435 / 415	24"	2	
460 / 445	24"	3	
485 / 465	24"	4	
510 / 490	24"	5	
385 / 365	22"	1	
410 / 390	22"	2	
435 / 415	22"	3	
460 / 445	22"	4	
485 / 465	22"	5	
510 / 490	22"	6	
385 / 365	12"	6	
410 / 390	12"		
435 / 415	12"		1
460 / 445	12"		2
485 / 465	12"		3
510 / 490	12"		4

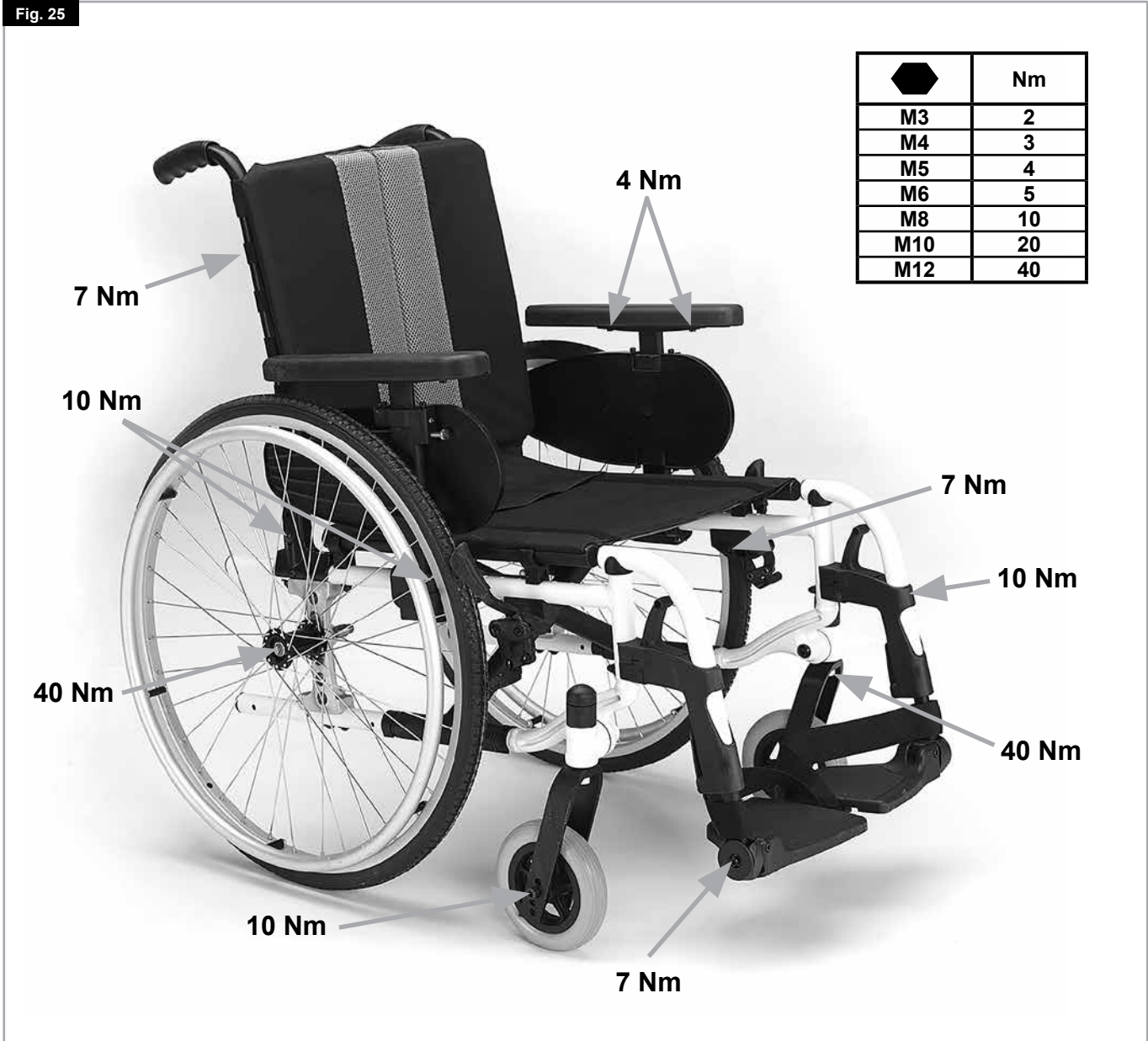
ÂNGULO DO ASSENTO 6° (5°,4° / 6°,8)			
NÚMERO DA POSIÇÃO DA RODA GIRATÓRIA 4			
385 / 345	24"		
410 / 370	24"		
435 / 395	24"	1	
460 / 420	24"	2	
485 / 445	24"	3	
510 / 470	24"	4	
385 / 385	22"		
410 / 370	22"	1	
435 / 395	22"	2	
460 / 420	22"	3	
485 / 445	22"	4	
510 / 470	22"	5	
385 / 345	12"	6	
410 / 370	12"	6	
435 / 395	12"		
460 / 420	12"		1
485 / 445	12"		2
510 / 470	12"		3



Excepto quando aconselhado de outra maneira, a força de aperto dos parafusos M6 é 7 Nm.
 Consulte a página 7 para mais informações.

Fig. 25

	Nm
M3	2
M4	3
M5	4
M6	5
M8	10
M10	20
M12	40



Índice	
Força de Torção	62
Definições	63
Prefácio	64
Utilização	64
Área de aplicação	64
Notas gerais sobre segurança e restrições de condução	65
Garantia	66
Transporte	67
Manuseamento	69
Transporte da cadeira de rodas	69
Opções – Altura do Assento	69
Opções – Travões	70
Opções – Apoios para pés	70
Opções – Roda Giratória	71
Opções - posição da roda giratória	71
Opções - Posição do ângulo horizontal	72
Opções – Encosto	72
Opções – Protecção lateral	73
Opções - Anti-queda	74
Cinto de segurança pélvico	74
Opções - Suporte da Canadiana	75
Opções - Mesa de terapia	75
Opções – Operação com uma mão	75
Opções - Barra Estabilizadora	76
Opções - Encostos de cabeça	76
Opções - Rodas de trânsito	76
Pneus e Montagem	76
Placa de nome	77
Manutenção e Cuidado	77
Resolução de Problemas	78
Eliminação / Reciclagem de materiais	78
Dados técnicos	78

NOTA:








A cadeira de rodas representada e descrita neste manual pode não ser exatamente igual à sua. No entanto, todas as instruções são perfeitamente aplicáveis, independentemente dessas pequenas diferenças.

O fabricante reserva-se no direito de modificar, sem aviso prévio, os pesos, dimensões e outros dados indicados neste manual.

Todos os valores, medidas e capacidades incluídos neste manual são aproximados e não representam especificações.

Definições	
------------	--

3.1 Definições das palavras usadas neste manual

Palavra	Definição
 PERIGO!	Alertar o utilizador para um potencial risco de ferimentos graves ou fatais se o aviso não for respeitado
 AVISO!	Alertar o utilizador para um potencial risco da sua integridade física se a sugestão não for respeitada
 CUIDADO!	Alertar o utilizador para os danos potenciais para o equipamento se o aviso não for respeitado
NOTA:	Sugestão geral ou melhor prática
	Referência a documentação adicional
	Sólidos
	Pneus macios
	Não se ajusta

NOTA:

Tome nota da morada e telefone do serviço de assistência local no quadro incluído a seguir.

Em caso de avaria, entre em contacto com este serviço e tente dar todos os detalhes pertinentes para poder receber uma ajuda rápida.

Assinatura e carimbo do fornecedor

Prefácio

Caro Cliente,


Ficamos satisfeitos por ter decidido comprar um produto de elevada qualidade da SUNRISE MEDICAL.

Este Manual do Utilizador contém várias sugestões e ideias para que a sua cadeira de rodas seja um parceiro de confiança e fiável na sua vida.

Para a Sunrise Medical, é muito importante ter uma boa relação com os clientes. Assim, gostaríamos de o manter atualizado quanto às nossas criações atuais e mais recentes. Manter a proximidade com os nossos clientes significa: serviço mais rápido, com o mínimo de burocracia, colaborando com os clientes. Quando necessitar de peças de substituição ou acessórios, ou se tiver qualquer dúvida quanto a cadeira de rodas – estamos cá para o ajudar.

Queremos que fique satisfeito com os nossos produtos e serviços. Na Sunrise Medical trabalhamos constantemente para desenvolver ainda mais os nossos produtos. Por esta razão, podem ocorrer alterações nas nossas linhas de produtos no que diz respeito à forma, tecnologia e acessórios. Por conseguinte, não podem ser feitas reclamações com base nos dados e imagens contidas neste manual técnico.

O sistema de gestão da SUNRISE MEDICAL está certificado segundo ISO 13485 e ISO 14001.

 Como fabricante, a **SUNRISE MEDICAL** declara que este produto está em conformidade com o Regulamento de Dispositivos Médicos (2017/745).

NOTA:

Conselhos gerais para o utilizador.

O não cumprimento destas instruções pode causar o risco de lesões físicas, de danos neste produto ou criar um risco para o ambiente!

Notificação para o utilizador e/ou paciente: Qualquer acidente grave ocorrido relacionado com o equipamento deve ser comunicado ao fabricante e às autoridades competentes do estado membro no qual o utilizador e/ou paciente reside.

Adaptações especiais B4Me

A Sunrise Medical recomenda fortemente que, a fim de garantir que seu produto B4Me opere e funcione conforme pretendido pelo fabricante; todas as informações do usuário fornecidas com seu produto B4Me são lidas e compreendidas antes de o produto ser usado pela primeira vez.

A Sunrise Medical também recomenda que as informações do utilizador não sejam descartadas após sua leitura, mas sejam mantidas em segurança para referência futura.

Combinações do dispositivo médico

Poderá ser possível combinar este dispositivo médico com um ou mais do que um outro dispositivo médico ou outro produto. As informações sobre as combinações possíveis podem ser consultadas na www.SunriseMedical.pt. Todas as combinações apresentadas foram validadas de acordo com os Requisitos Gerais de Segurança e Desempenho, Anexo I no. 14.1 do Regulamento de Dispositivos Médicos 2017/745.

As orientações relativas às combinações, como montagem, podem ser consultadas em www.SunriseMedical.pt.

Contacte o nosso fornecedor local e autorizado SUNRISE MEDICAL se tiver questões sobre a utilização, manutenção ou segurança da sua cadeira de rodas.

Caso não haja um concessionário autorizado na sua área ou se tiver qualquer questão sobre a segurança e devolução do produto, contacte a Sunrise Medical, por escrito ou por telefone ou consulte a informação em www.sunrisemedical.pt

Sunrise Medical
Polígono Bakiola, 41
48498 Arrankudiaga,
Vizcaya
Espanha
Telefone: 00 351 224 882 712
Fax: 00 351 224 880 063
www.sunrisemedical.pt



NÃO USE A SUA CADEIRA DE RODAS ANTES DE TER LIDO E COMPREENDIDO O MANUAL.

Utilização

As cadeiras de rodas são exclusivamente para utilizadores sem capacidade motora ou mobilidade limitada, para seu uso pessoal, com auto-motricidade e quando movidos por terceiros (empurrados por um acompanhante) em casa e no exterior.

O limite máximo de peso (inclui o utilizador e o peso de acessórios instalados na cadeira de rodas) está assinalado na etiqueta com o número de série, fixada na barra transversal ou barra estabilizadora sob o assento.

A garantia aplica-se apenas se o produto for usado nas condições especificadas e para os objectivos a que se destina.

A vida útil prevista do produto é 5 anos.

Por favor, NÃO use ou instale componentes de terceiros na cadeira de rodas excepto quando oficialmente autorizado pela Sunrise Medical.



PERIGO!

- Não instale qualquer tipo de equipamento eletrónico não autorizado.
- Não instale dispositivos de mobilidade elétrica ou mecânica, bicicletas ou qualquer outro dispositivo que altere o propósito ou a estrutura da cadeira de rodas.
- Qualquer combinação com outros dispositivos médicos exige a autorização direta da Sunrise Medical.

Área de aplicação

Indicações

A variedade de acessórios assim como o desenho modular significam que pode ser usada por pessoas que não podem andar ou com mobilidade limitada por causa de:

- Paralisia
- Perda de membros (amputação da perna)
- Deformação dos membros
- Contratura das articulações/lesões nas articulações
- Doenças como insuficiências cardíacas e deficiências circulatórias, problemas de equilíbrio, caquexia, padrões de doenças neurológicas, distrofia muscular, hemiplegia, assim como pessoas idosas que ainda têm força na parte superior do corpo.

Contra-indicações

A cadeira de rodas não deverá ser utilizada sem a presença de um assistente em caso de:

- Problemas de percepção
- Desequilíbrio
- Perda de ambos os braços, se não acompanhado por um cuidador
- Contraturas nas articulações ou lesões nas articulações em ambos os braços
- Problemas em manter a postura sentada

NOTA:

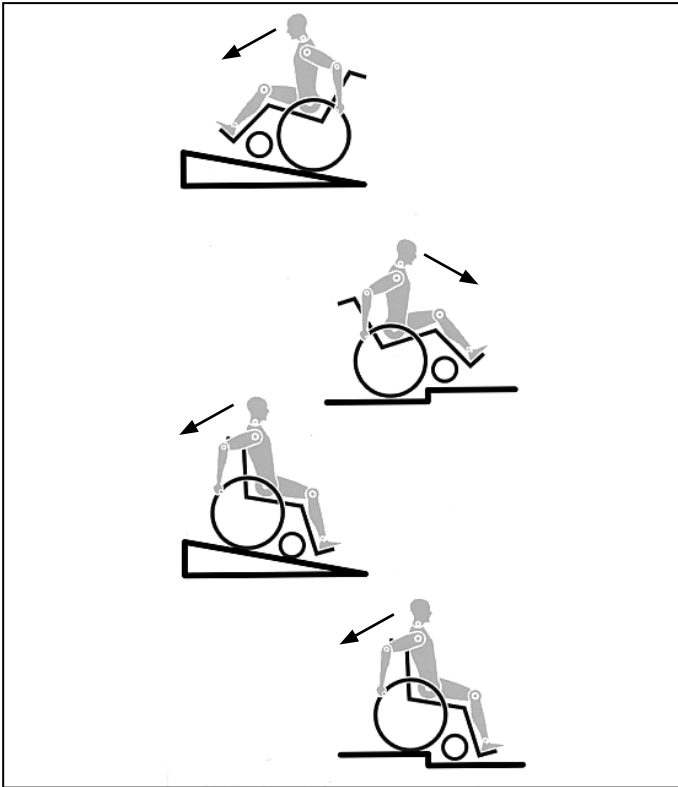
Lembre-se que para conduzir uma cadeira de rodas é necessário ter as competências cognitivas, físicas e visuais adequadas. O utilizador deve poder conseguir avaliar os efeitos das suas ações durante a operação da cadeira de rodas e, se necessário, corrigi-los. A Sunrise Medical não pode avaliar estas capacidades e a utilização segura dos componentes adicionais instalados como fabricante. Não podemos ser responsabilizados por quaisquer danos resultantes.

Consulte as instruções da cadeira de rodas e dos componentes adicionais instalados. Instrua o utilizador quanto à utilização segura da cadeira de rodas e dos componentes adicionais instalados. Informe os utilizadores sobre os avisos especiais que devem ser lidos, compreendidos e respeitados.

Quando considerar uma aquisição, tenha em conta o tamanho e peso do corpo, a constituição física e psicológica, a idade, condições de vida e ambiente.

Condições de operação

A cadeira de rodas pode ser usada no interior e no exterior em configuração de movimento autónomo ou com assistente, em superfícies secas, firmes e relativamente planas. Não se aconselha a sua utilização durante tempestades, chuvas torrenciais, neve e gelo ou outras condições climatéricas extremas.



- Utilize apenas a sua cadeira de rodas corretamente. Por exemplo, evitar transpor obstáculos sem travar (degraus, lancis) ou descer desnivelamentos de solo.
- Os dispositivos de bloqueio das rodas não se destinam a travar a cadeira de rodas. Existem apenas para garantir que a sua cadeira de rodas não se move por acidente. Quando parar em solo desnivelado, deve usar sempre os dispositivos de bloqueio das rodas para evitar que a cadeira se mova. Active sempre ambos os dispositivos. Caso contrário, a sua cadeira de rodas pode inclinar-se.
- Explore os efeitos da mudança do centro de gravidade no comportamento da cadeira de rodas, por exemplo, em inclinações, declives, todos os desnivelamentos ou quando transpor obstáculos. Faça-o com a assistência de alguém.
- Em condições extremas (p.ex. com as rodas traseiras na posição mais dianteira) e com uma postura menos perfeita, a cadeira de rodas pode tombar mesmo numa superfície plana.
- Incline o seu tronco para a frente quando subir declives e degraus.
- Incline o seu tronco para trás quando descer declives e degraus. Nunca tente subir e descer um declive na diagonal.
- Evite utilizar um elevador que possa causar ferimentos graves em caso de queda.
- Não conduza a cadeira de rodas em inclinações > 10°. O declive seguro dinâmico depende da configuração da cadeira, das capacidades do utilizador e do estilo de condução. Uma vez que as capacidades do utilizador e estilo de condução não podem ser pré-determinados então o desnivelamento máximo seguro não pode ser pré-determinado. Assim, deve ser determinado pelo utilizador com a ajuda de um assistente para evitar cair. Aconselhamos vivamente a instalação de dispositivos anti queda se o utilizador for inexperiente.
- É possível que a cadeira caia se passar por cima de buracos ou conduzir em solo desnivelado, especialmente quando subir ou descer pisos inclinados.
- Não conduza a cadeira de rodas em solo lamacento e com gelo. Não utilize a sua cadeira de rodas onde os pedestres não podem circular.
- Para evitar ferimentos nas mãos, não coloque as mãos nos raios ou entre a roda traseira e o dispositivo de bloqueio das rodas quando conduzir a cadeira de rodas.
- Em especial, quando usar aros de rodas leves, os dedos podem facilmente aquecer quando travar a altas velocidades ou em inclinações longas.
- Conduzir de lado num declive ou inclinação aumenta a possibilidade da cadeira de rodas tombar para o lado.
- Só deve tentar subir escadas com a ajuda de um assistente. Se existir equipamento para o auxiliar, p.ex. subir rampas ou utilizar elevadores, utilize-o. Se não existir equipamento para uma determinada função, então a cadeira de rodas deve ser inclinada e empurrada e nunca transportada em degraus (2 assistentes). No caso de utilizadores com mais de 100 kg de peso, aconselhamos vivamente a não utilizar a manobra de escadas!
- Regra geral, deve instalar previamente os tubos anti queda, para não tocarem nos degraus, porque de outro modo poderá sofrer uma queda grave. Depois, as rodas anti volteio devem ser colocados na posição correta.
- Certifique-se que o assistente só segura na cadeira de rodas utilizando as peças instaladas firmemente (p.ex. evitando os apoios de pés ou proteções laterais).
- Esta cadeira de rodas não foi concebida para ser utilizada durante exercícios de levantamento de pesos e/ou quando levantar halteres. Utilize apenas equipamento concebido para este efeito.
- Não levante ou transporte a cadeira de rodas pelos tubos traseiros ou pelos manípulos para empurrar.
- Quando utilizar uma rampa de suspensão, certifique-se que os tubos anti queda instalados estão posicionados fora da área de perigo.
- Imobilize a cadeira de rodas em solo irregular ou quando a transportar (p.ex. num carro) usando os travões.

A engenharia e construção desta cadeira de rodas destinam-se a oferecer a maior segurança. As normas de segurança internacionais atualmente em vigor foram cumpridas ou excedidas. No entanto, existe o risco de perigo se os utilizadores manusearem incorretamente a cadeira de rodas. Para a sua própria segurança, deve respeitar completamente as seguintes regras.

A adaptação ou ajustamento não profissional ou errado pode aumentar o risco de acidentes. Como utilizador da cadeira de rodas, faz também parte do tráfego diário nas ruas e passeios, como tudo o resto. Gostaríamos de lhe chamar a atenção que, deste modo, está também sujeito a qualquer regra do Código de Estrada.

Tenha cuidado durante a sua primeira viagem na cadeira de rodas. Familiarize-se com a sua Cadeira de Rodas.

Antes de cada utilização, deve inspecionar o seguinte:

- Eixos de extração rápida nas rodas traseiras
- Velcro dos assentos e encostos
- Pneus, pressão dos pneus e dispositivos de bloqueio das rodas.

Antes de alterar qualquer um dos ajustamentos desta cadeira de rodas, é importante ler a seção correspondente do Manual de Utilizador.

É possível que a cadeira caia se passar por cima de buracos ou conduzir em solo desnivelado, especialmente quando subir ou descer pisos inclinados. Quando subir um degrau ou uma inclinação de frente, deve inclinar o corpo para a frente.

PERIGO!

- NUNCA exceda a carga máxima 125 kg Style X / Style X Ultra 150 kg (136 kg com encaixes para o transporte em veículos "Crash-Tested"). Carga máxima inclui o condutor e objetos transportados na cadeira de rodas. Tenha em conta a informação sobre o peso para opções de pesos menores, que são apresentadas em separado. Se exceder a carga máxima, pode danificar a cadeira, pode cair ou tombar, perder controlo e pode causar ferimentos graves em si e noutras pessoas.
- Quando estiver escuro, vista roupas de cores claras ou roupas com refletores, para ser mais facilmente visível. Verifique se os refletores no lado e na traseira da cadeira de rodas são claramente visíveis. Recomendamos também que instale uma luz ativa.
- Para evitar quedas e situações perigosas, pratique primeiro a condução da sua nova cadeira de rodas em solo nivelado e com boa visibilidade.
- Quando se sentar ou sair da cadeira de rodas, não se apoie nos apoios de pés. Deve dobrá-los para cima antes e movê-los para o exterior tanto quanto possível. Posicione-se sempre tão próximo quanto possível da posição onde se pretende sentar.

- Se, e sempre que possível, durante uma viagem num veículo equipado para transportar pessoas com deficiências motoras, os ocupantes do veículo devem usar os assentos do veículo e o sistema de segurança apropriado. Esta é a única forma de garantir que os ocupantes recebem a proteção máxima em caso de acidente. Quando utilizar os elementos fornecidos pela SUNRISE MEDICAL e utilizar um sistema de segurança personalizado, as cadeiras de rodas ativas podem ser utilizadas como assento durante o transporte num veículo preparado para o efeito. (Consulte o capítulo sobre "Transporte").
- Dependendo do diâmetro e configuração das rodas giratórias assim como da configuração do centro de gravidade da cadeira de rodas, as rodas giratórias podem começar a vibrar em velocidades mais elevadas. Isto pode causar o bloqueio das rodas giratórias e a cadeira de rodas pode tombar. Assim, certifique-se que as rodas giratórias estão ajustadas corretamente (consulte o capítulo "Rodas giratórias"). Em particular, não conduza sem travões em inclinações, mova-se a uma velocidade reduzida. Aconselhamos os utilizadores mais inexperientes a utilizarem tubos anti queda.
- As rodas anti volteio podem evitar a queda da cadeira para trás por acidente. Em circunstância alguma devem ser utilizados em vez das rodas normais e devem ser utilizados para transportar uma pessoa numa cadeira de rodas com as rodas traseiras removidas.
- Quando pegar em objetos (à frente da, ao lado da ou por detrás da cadeira de rodas) certifique-se que não se inclina demasiado para longe da cadeira de rodas, porque se alterar o centro de gravidade existe o risco de cair ou capotar. Se pendurar pesos adicionais (mochilas ou outros objetos semelhantes) nas barras da sua cadeira de rodas pode afetar a estabilidade traseira, especialmente quando utilizada em combinação com encostos reclináveis. Deste modo, a cadeira pode inclinar-se para trás causando ferimentos.
- Os ajustes da sua cadeira de rodas, especialmente dos componentes associados à segurança, devem ser efetuados por um concessionário autorizado. Isto aplica-se a ajustes dos bloqueios das rodas, das barras anti queda, do ângulo e da altura do encosto, do comprimento da perna inferior, do COG, do cinto de segurança, da convergência e do arco da roda traseira, da altura do assento assim como da convergência e estabilidade direcional do garfo da roda giratória.
- Quando utilizar acessórios de mobilidade instalados na cadeira de rodas, como guiadores, direção assistida eletrónica, etc., certifique-se de que a sua cadeira de rodas está equipada com os garfos das rodas giratórias apropriados e autorizados para este tipo de utilização. Contacte o seu distribuidor se tiver alguma questão.
- Não coloque qualquer equipamento eletrónico não autorizado, unidades de mobilidade elétricas ou mecânicas, bicicletas ou qualquer outro dispositivo que altere o propósito ou a estrutura da cadeira de rodas.
- Qualquer combinação com outros dispositivos médicos exige a autorização da Sunrise Medical.
- Tenha em conta que determinadas configurações da cadeira de rodas podem exceder uma largura de 700 mm. Se for este o caso, em determinadas circunstâncias, poderá não ser possível utilizar algumas ou todas as vias de saída de emergência existentes num edifício. Poderá ser mais difícil, ou até impossível, viajar em transportes públicos.
- O seu concessionário autorizado pode fornecer mais informações e instruções de segurança.
- Para amputados ao nível da coxa, os tubos anti queda devem ser utilizados.
- Antes de conduzir, verifique se a pressão dos pneus está correta. Para as rodas traseiras, deve ser, pelo menos, 3,5 bares (350 kPa). A pressão máx. é indicada no pneu. Os travões com manípulo de joelho apenas funcionam se a pressão dos pneus for suficiente e se foi efetuada a configuração correta (ver Capítulo sobre "Travões").
- Se o assento ou a tela traseira ficarem danificados, deve substituí-los imediatamente.
- Cuidado com o fogo, especialmente com cigarros acesos. As correias do assento e traseiras podem incendiar-se.
- Se a cadeira de rodas ficar exposta à luz do sol durante um longo período de tempo, partes da mesma (p.ex. estrutura, apoios de pernas, travões e proteção lateral) podem aquecer muito (>41°C).

- Certifique-se sempre que os eixos de extração rápida nas rodas traseiras estão configurados corretamente e bloqueados. Se não premir o botão no eixo de extração rápida, não pode remover a roda traseira.
- Tenha sempre cuidado para que as roupas não fiquem presas nas rodas motrizes.

**AVISO!**

- O efeito do travão com manípulo de joelho assim como as características gerais de condução dependem da pressão dos pneus. A cadeira de rodas é significativamente mais leve e mais fácil de manobrar quando as rodas traseiras estiverem cheias e a pressão de ambas as rodas for igual.
- Verifique se os seus pneus têm piso suficiente! Tenha em conta que fica sujeito a toda e qualquer regra de trânsito quando conduzir no trânsito normal.
- Tenha sempre cuidado com os seus dedos quando utilizar ou ajustar a cadeira de rodas!

**AVISO!**

PERIGO DE ASFIXIA: Este dispositivo de ajuda para a mobilidade utiliza peças pequenas que, em determinadas circunstâncias, podem apresentar um perigo de asfixia para as crianças.

A cadeira de rodas representada e descrita neste manual pode não ser exatamente igual à sua. No entanto, todas as instruções são perfeitamente aplicáveis, independentemente dessas pequenas diferenças.

O fabricante reserva-se no direito de modificar, sem aviso prévio, os pesos, dimensões e outros dados indicados neste manual. Todos os valores, medidas e capacidades indicados neste manual são aproximados e não representam especificações.

Garantia

Ver o documento "Condições Gerais de Garantia" que acompanha este manual do utilizador.

Também disponível em www.sunrisemedical.pt, seção "General Conditions of Sale" (Condições Gerais de Venda).

PERIGO!

Existe o risco de ferimentos graves ou morte se esta sugestão for ignorada!

Transporte da cadeira de rodas num veículo:

Uma cadeira de rodas fixa num veículo não apresenta o nível de segurança equivalente ao do sistema de segurança do veículo. É sempre aconselhável transferir o utilizador para o assento do veículo. A Sunrise Medical reconhece que nem sempre é prático para o utilizador ser transferido e, nestas circunstâncias, quando for necessário transportar o utilizador na cadeira de rodas, os seguintes conselhos devem ser respeitados:

1. Confirme se o veículo está equipado para transportar um passageiro numa cadeira de rodas e se tem acesso ao método de acesso/entrada para o seu tipo de cadeira de rodas. A resistência do piso do veículo deve ser suficiente para suportar o conjunto do peso do utilizador, da cadeira de rodas e acessórios.
2. Deve existir espaço suficiente à volta da cadeira de rodas para permitir fixar, apertar e libertar a cadeira de rodas e os cintos de segurança e dispositivos de fixação do ocupante.
3. A cadeira de rodas ocupada deve ser posicionada virada para a frente e fixada com as correias de fixação da cadeira de rodas e do ocupante (correias WTORS que cumpram os requisitos de ISO 10542 ou SAE J2249) de acordo com as instruções do fabricante WTORS.
4. A utilização da cadeira de rodas noutras posições dentro de um veículo ainda não foi testada, p.ex. o transporte da cadeira virada para o lado não deve ser feito em circunstância alguma (Fig. A).
5. A cadeira de rodas deve ser fixa por um sistema de fixação, conforme ISO 10542 ou SAE J2249 com correias dianteiras não ajustáveis e correias traseiras ajustáveis, normalmente com ganchos em S/Karabiner e fixações de fivela. Estes dispositivos de fixação são normalmente constituídos por 4 correias individuais fixadas a cada canto da cadeira de rodas.
6. Deve instalar as correias de fixação na estrutura principal da cadeira de rodas como indicado nos diagramas da página seguinte e não em quaisquer acessórios ou peças, p.ex. não à volta dos raios das rodas, dos travões ou dos apoios de pés.
7. As correias de fixação devem ser presas tão próximo quanto possível, a um ângulo de 45 graus, e apertadas com firmeza de acordo com as instruções do fabricante.
8. Os pontos de fixação da cadeira de rodas ou a estrutura ou componentes não devem ser alterados ou substituídos sem consultar o fabricante. Se não o fizer, coloca em risco a capacidade de transportar a cadeira de rodas Sunrise Medical num veículo.

9. Tanto o cinto de segurança pélvico e superior do tronco devem ser usados para segurar o ocupante para reduzir o risco de impactos na cabeça e peito com os componentes do veículo e reduzir o risco de ferimentos graves no utilizador e outros ocupantes do veículo. (Fig. B) O cinto de segurança superior do tronco deve ser instalada no pilar "B" do veículo - se não o fizer aumenta o risco de ferimentos abdominais graves no utilizador.

10. Deve instalar e posicionar sempre um sistema de encosto de cabeça durante o transporte (ver etiqueta do encosto da cabeça).

11. Os suportes da postura (os cintos pélvico, cintos de segurança) não devem ser usados para segurar o ocupante num veículo em movimento a não ser que indiquem que cumprem os requisitos especificados em ISO 7176-19 ou SAE J2249.

12. A segurança do utilizador durante o transporte depende das diligências da pessoa que fixou as correias de fixação e para as quais deve ter recebido instruções e/ou formação adequada.

13. Sempre que possível, remova e guarde a cadeira de rodas e todo o equipamento auxiliar em local seguro. Por exemplo: Canadianas, almofadas soltas e tabuleiros.

14. O apoio de perna articulado/de elevação não deve ser usado na posição elevada quando a cadeira de rodas e o utilizador forem transportados e a cadeira de rodas for fixa usando os Dispositivos de Fixação de Transporte da Cadeira de Rodas e do Ocupante.

15. Os encostos reclináveis devem ser colocados na posição superior.

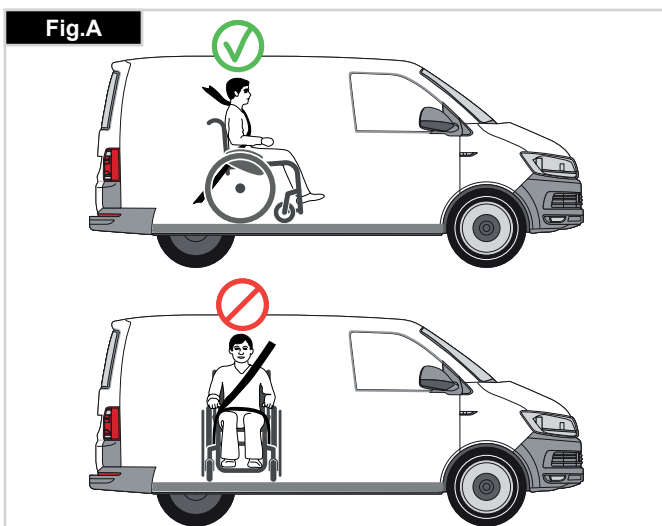
16. Deve acionar firmemente os travões manuais.

17. As correias de fixação devem ser instaladas no pilar "B" do veículo e devem ser mantidas afastadas do corpo pelos componentes da cadeira de rodas, como apoios de braços ou rodas.

NOTA: A Breezy Style só é adequada para ser usada como assento num veículo se o kit de transporte for instalado na estrutura traseira. No Reino Unido, este kit é instalado por NORMA, mas em outros países, o kit é OPCIONAL e deve ser selecionado no formulário de encomenda.

PERIGO!

- O kit de Transporte deve ser instalado na cadeira de rodas antes de a usar para transportar um passageiro num veículo.
- O kit de Transporte deve ser instalado por um fornecedor autorizado pela Sunrise Medical.



Instruções para segurança do ocupante:

1. O cinto de segurança pélvico deve ser usado em baixo à frente da pélvis de modo a que o ângulo do cinto pélvico fique dentro da zona confortável de 30 a 75 graus na horizontal.

Um ângulo mais acentuado (maior) na zona preferencial é desejável, ou seja próximo de, mas sem ultrapassar, 75°. (Fig. C)

2. O cinto de segurança superior do tronco deve ser instalado sobre o ombro e o peito como ilustrado na Fig. D e E. Deve ajustar os cintos de segurança com o maior aperto possível sem os tornar incómodos para o utilizador.

Não deve torcer o sistema de fixação do cinto de segurança quando o usar. O cinto de segurança superior do tronco deve ser instalado sobre o ombro e ao longo do ombro como ilustrado na Fig. D e E.

3. Os pontos de fixação da cadeira são a estrutura lateral dianteira interna sob a roda giratória e a estrutura lateral traseira. As correias são fixas à volta das estruturas laterais na interseção dos tubos da estrutura horizontal e vertical. (Ver Fig. G-H).

4. O símbolo de fixação (Fig. F) na estrutura da cadeira de rodas indica a posição das correias de fixação da cadeira de rodas. As correias são esticadas depois das correias dianteiras serem instaladas para segurar a cadeira de rodas.

A posição das correias de fixação na cadeira de rodas:

1. Localização das etiquetas dos pontos de fixação dianteiro e traseiro (Fig. G - H).

Peso Mínimo do Utilizador 22 kg:

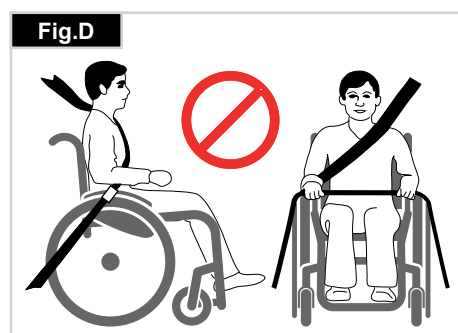
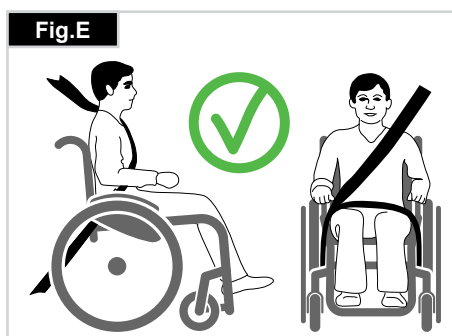
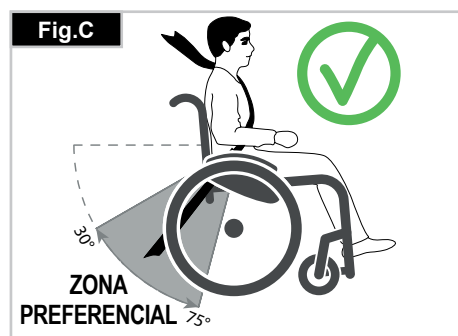
Quando a pessoa transportada for uma criança, com massa inferior a 22 Kg e o veículo envolvido tiver menos de oito (8) bancos, recomendamos que a criança seja transferida para um sistema de segurança para crianças (CRS) compatível com UNCE Regulamento 44.

Este tipo de sistema de segurança é um sistema de segurança mais eficaz para o ocupante do que um sistema de segurança convencional de 3 pontos. Alguns sistemas CRS também incluem suportes de postura adicionais para ajudar a manter a postura da criança enquanto sentada.

Os pais ou profissionais de saúde poderão considerar a opção de, em algumas circunstâncias, a criança permanecer na cadeira de rodas durante o transporte devido ao nível de controlo da postura e conforto providenciados pelo sistema na cadeira de rodas.

Nestas circunstâncias, recomendamos que o profissional de saúde e pessoas competentes relevantes efetuem uma avaliação dos riscos.

Peso Máximo do Utilizador: 136 kg.



Manuseamento

Dobrar

Primeiro, remova a almofada do assento e a capa do assento traseiro da cadeira de rodas e levante o apoio de pés (plataforma) ou os apoios de pés individuais. Segure a correia ou barras do assento no meio, pelas costas e puxe para cima. A cadeira de rodas dobra-se. Para dobrar a sua cadeira de rodas num espaço tão pequeno quanto possível, por exemplo, para guardar num carro, pode remover os apoios de pés (dependendo do modelo). Para este efeito, abra a lingueta da parte de fora e rode o apoio de pés para o lado. Depois, só tem que remover o apoio de pés da barra receptora (Fig. 1.0).



Transporte

Para mover o dispositivo de mobilidade, a cadeira de rodas de encartar deve ser levantada pela parte frontal da barra transversal e pelas asas.

Abrir

Faça força para baixo sobre o tubo do assento (ver figura). A cadeira de rodas é desdobrada. Agora, encaixe os tubos do assento na posição na tela do assento. Para facilitar esta operação pode inclinar ligeiramente a sua cadeira de rodas para o lado, aliviando assim o peso das rodas traseiras. **Cuidado para não prender os dedos na estrutura da barra transversal.** Instale de novo a almofada do assento (Fig. 2.0).



Transporte da cadeira de rodas

Quando transportar a cadeira de rodas vazia numa viatura, deverá prendê-la ou amarrá-la.

Eixos de extração rápida das rodas traseiras (Fig. 3.0)

A remoção das rodas traseiras mantém a cadeira tão compacta quanto possível. As rodas traseiras estão equipadas com eixos de extração rápida. As rodas podem, assim, ser instaladas ou removidas sem usar ferramentas. Para remover uma roda, basta premir o botão de extração rápida no eixo (1) e puxá-lo para fora.

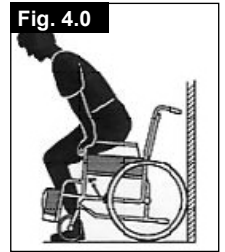


⚠ CUIDADO!

Mantenha premindo o botão de extração rápida no eixo quando inserir o eixo na armação para montar as rodas traseiras. Liberte o botão para fixar a roda na sua posição. O botão de extração rápida deverá encaixar na sua posição original.

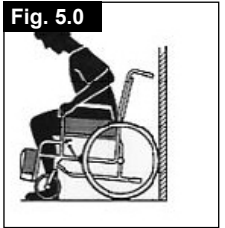
Sentar-se na cadeira de rodas sem assistência (Fig. 4.0)

- A cadeira de rodas deve ser apoiada contra uma parede ou mobília sólida;
- Os travões devem estar acionados;
- Os apoios de pés retrácteis devem estar dobrados para cima;
- O utilizador pode fazer-se descer na cadeira de rodas;
- Os apoios de pés podem ser empurrados para baixo e os pés apoiados neles em frente dos aros para os calcanhares.



Sair da cadeira de rodas sem assistência (Fig. 5.0)

- Os travões devem estar acionados;
- Os apoios de pés retrácteis devem estar dobrados para cima;
- Com uma mão em cada apoio de braço, a pessoa deve dobrar-se ligeiramente para a frente para aplicar o peso do corpo na parte dianteira da cadeira e, com ambos os pés firmemente no chão, um pé bem atrás, levante-se.



⚠ AVISO!

Quando estiver de pé, não se apoie nos apoios de pés ou a cadeira de rodas pode tombar. É mais fácil e seguro sentar-se na cadeira de rodas se rodar os apoios de pés para cima e para fora do caminho ou se os remover da cadeira de rodas.

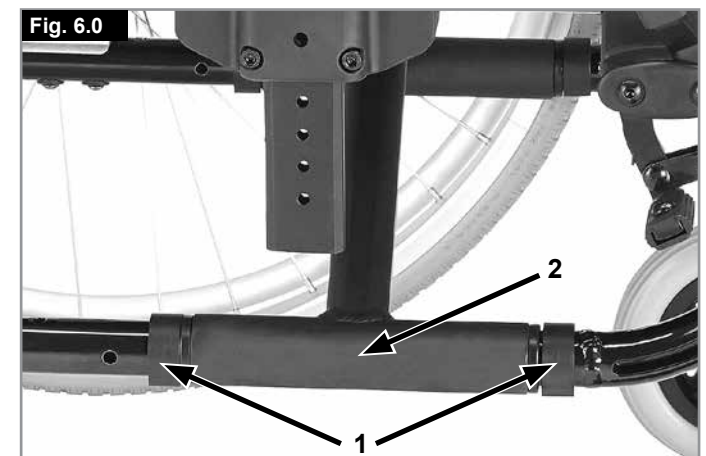
Opções – Altura do Assento

PROFUNDIDADE DO ASSENTO

Removendo os ganchos (1), a unidade de braçadeira cruzada (2) pode ser empurrada ao longo da estrutura, o que altera a profundidade do assento (em função da posição das barras traseiras).

Certifique-se que os ganchos (1) encaixam nos orifícios da estrutura existentes.

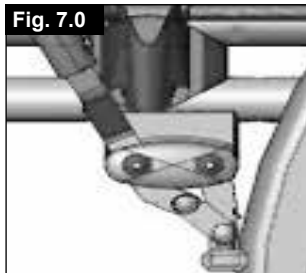
Para manter a estrutura tão compacta quanto possível, a profundidade do assento também pode ser ajustada com as barras traseiras (410 – 460 mm em incrementos de 25 mm). Para tal, remova os parafusos (1 e 2) do suporte da barra traseira. Remova as rodas e os apoios de braços e verifique se a braçadeira cruzada está na posição pretendida (empurre a braçadeira cruzada como descrito em cima). Mova as barras traseiras para a posição pretendida e reaperte todos os parafusos. Mova a barra receptora dos apoios de braços para a posição pretendida, (Fig. 6.0).



Opções – Travões

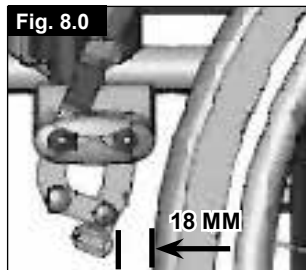
Travões

A sua cadeira de rodas está equipada com dois dispositivos de bloqueio de rodas. São aplicados diretamente sobre os pneus. Para ativar os dispositivos, empurre ambos os manipuladores de bloqueio contra as peças de travagem. Para desbloquear a roda, puxe os manipuladores para trás para a sua posição original.



A capacidade de travagem diminui com:

- Piso desgastado dos Pneus
- Pressão dos Pneus demasiado baixa
- Pneus húmidos
- Dispositivos de bloqueio das rodas incorretamente ajustado.



Os dispositivos de bloqueio das rodas não foram concebidos para serem usados como travões de uma cadeira em movimento. Assim, os dispositivos de bloqueio das rodas nunca devem ser usados para travar uma cadeira de rodas em movimento. Use sempre os aros das rodas para travar. Certifique-se que o intervalo entre os pneus e dispositivos de bloqueio das rodas respeita as especificações apresentadas. Para reajustar, desaperte o parafuso e ajuste o intervalo apropriado. Depois, aperte de novo os parafusos (Fig. 7.0 + 8.0).

⚠ CUIDADO!

Após cada ajustamento das rodas traseiras, inspecione o intervalo dos dispositivos de bloqueio das rodas e reajuste se necessário.

Extensão do manipulador do travão

A extensão do manipulador do dispositivo de bloqueio das rodas pode ser removido ou retraído para baixo. O manipulador mais longo ajuda a minimizar o esforço necessário para aplicar os dispositivos de bloqueio das rodas (Fig. 9.0).



⚠ CUIDADO!

Se montar o dispositivo de travão das rodas demasiado próximo da roda, será necessário um maior esforço para o ativar. Isso pode causar com que a extensão da alavanca do travão parta!

⚠ CUIDADO!

Se inclinar-se sobre o manipulador de extensão do dispositivo de bloqueio das rodas durante a transferência, poderá parti-lo! Água salpicada pelos pneus poderá causar o funcionamento incorreto do dispositivo de bloqueio das rodas.

Travões de tambor

Os travões de tambor permitem a um auxiliar travar convenientemente e em segurança. Também podem ser acionados com a alavanca de bloqueio (1) para evitar o movimento da cadeira. A alavanca deve encaixar com um som nessa posição. Os travões de tambor não são influenciados pela pressão de ar dos pneus. Não é possível mover a sua cadeira de rodas quando os travões de tambor forem acionados (Fig. 10.0).



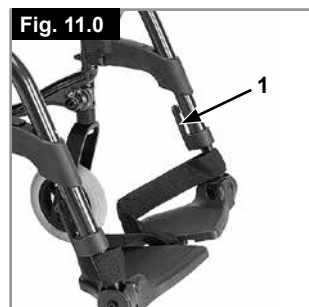
⚠ CUIDADO!

Os travões de tambor apenas podem ser ajustados por fornecedores autorizados.

Opções – Apoios para pés

Apoios para pés:

Os apoios para pés podem ser dobrados para cima para facilitar a entrada/saída da cadeira.

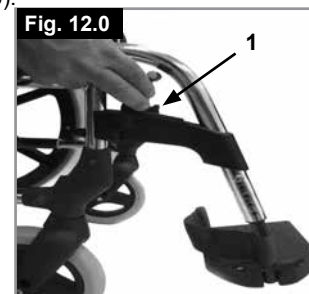


Comprimento da perna:

Para utilizadores com pernas mais longas, o suporte das pernas pode ser descido para o nível apropriado utilizando os parafusos (1). Desaperte os parafusos, empurre os tubos para a posição pretendida e depois aperte de novo os parafusos (veja a secção sobre o binário). Deve existir sempre uma distância mínima de 25 mm entre os apoios de pés e o chão, (Fig. 11.0).

Plataformas de pés e lingueta

Os apoios de pernas podem ser dobrados para dentro sob a correia do assento ou para fora. Quando instalar os apoios de pés, os apoios devem estar virados para dentro ou para fora. Depois, rode os apoios das pernas para dentro, até ficarem fixos. Para remover, puxe a alavanca (1), rode o apoio de para dentro ou para fora e, depois, levante o apoio para fora. Certifique-se que o apoio de pernas está corretamente fixado (Fig. 12.0).



⚠ CUIDADO!

- Os apoios de pernas não devem ser utilizados para levantar ou transportar a cadeira de rodas.
- Quando se sentar ou sair da cadeira de rodas, não se apoie nos apoios de pés. Deve dobrá-los para cima antes e movê-los para o exterior tanto quanto possível.

Apoio de pernas elevatório opcional

(Fig. 13.0 - 15.0)

Para remover, puxe a alavanca (1), rode o apoio de pés para fora e depois levante o apoio de pernas para fora.

Ajustamento da altura:

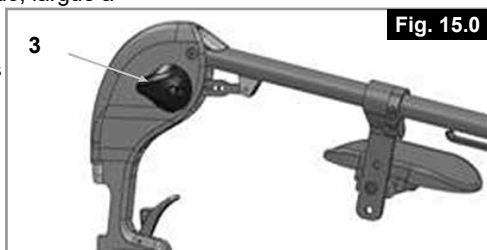
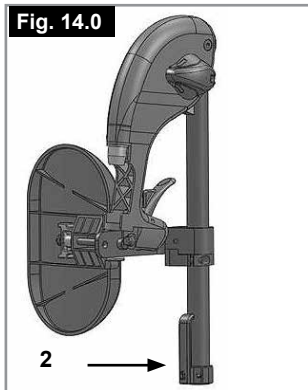
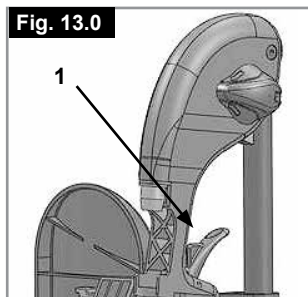
O comprimento da perna inferior pode ser ajustado infinitamente, desapertando o parafuso (2). Ajuste uma altura adequada e aperte de novo o parafuso.

CUIDADO!

A distância entre a placa de pés e o chão deve estar a, pelo menos, 40 mm.

Ajustamento do ângulo:

Empurre a alavanca (3) para baixo com uma mão enquanto suporta o apoio de pernas com a outra mão para aliviar a carga. Quando atingir um ângulo adequado, largue a alavanca e o apoio de pernas fixa numa das posições pré-definidas.

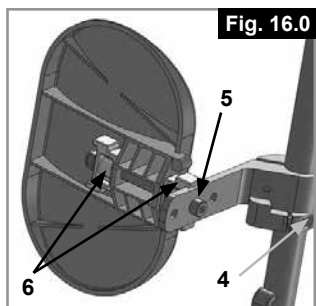


⚠ CUIDADO!

- Mantenha as mãos afastadas do mecanismo de ajuste entre a estrutura e as peças móveis do apoio de pés enquanto subir ou baixar o apoio de pés.
- Os apoios de pés não devem ser utilizados para levantar ou transportar a cadeira de rodas.
- Risco de entalar dedos.
- Quando mover o apoio de pés para cima ou para baixo, não coloque os dedos no mecanismo de ajuste entre as peças móveis do apoio de pés.

Ajustamento da almofada para a coxa

A almofada para a coxa pode ser ajustada da seguinte maneira:
Altura: Desaperte o parafuso (4 Fig. 16.0) e mova a peça de fixação para a posição pretendida. Também pode ajustar o ângulo rodando a peça de fixação.
Profundidade: Desaperte o parafuso (5) e mova a almofada para a coxa para a posição pretendida.
Largura: Desaperte o parafuso (5) e posicione os espaçadores (6) para obter a posição pretendida.



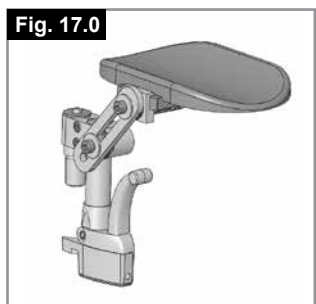
⚠ CUIDADO!

Certifique-se sempre que os dispositivos de aperto estão fixos.

Suporte para amputados

(Fig. 17).

O suporte para amputados pode ser ajustado em qualquer direção, se necessário.



Opções – Roda Giratória

Rodas giratórias, Placas das rodas giratórias, Forquetas

A cadeira de rodas pode deslizar ligeiramente para a direita ou para a esquerda ou as rodas giratórias podem vibrar. As razões podem ser as seguintes:

- O movimento frontal e/ou inverso da roda não foi ajustado corretamente.
- O ângulo da roda giratória não foi ajustado corretamente.
- A pressão do ar da roda giratória e/ou roda traseira é incorreta; as rodas não viram suavemente.

A cadeira de rodas não se move em linha recta se não ajustar corretamente as rodas giratórias. As rodas giratórias devem ser sempre ajustadas por um fornecedor autorizado. As placas das rodas giratórias devem ser reajustadas e os dispositivos de bloqueio das rodas devem ser inspecionados sempre que a posição da roda traseira for alterada.

A altura do assento é determinada pela posição da roda giratória e da roda traseira. A altura do assento pode ser ajustada, alterando a posição das rodas traseiras e das rodas giratórias (consulte a matriz de altura do assento na página 14).

⚠ CUIDADO!

Depois de ajustar a altura do assento, deve apertar de novo todos os parafusos e deve reajustar o dispositivo de bloqueio da roda.

Opções - posição da roda giratória

Descrição das peças

1. Arruela 2. Roda giratória 3. Anel de plástico 4. Adaptador da roda giratória 5. Anilha 6. Parafuso 7. Chave Allen

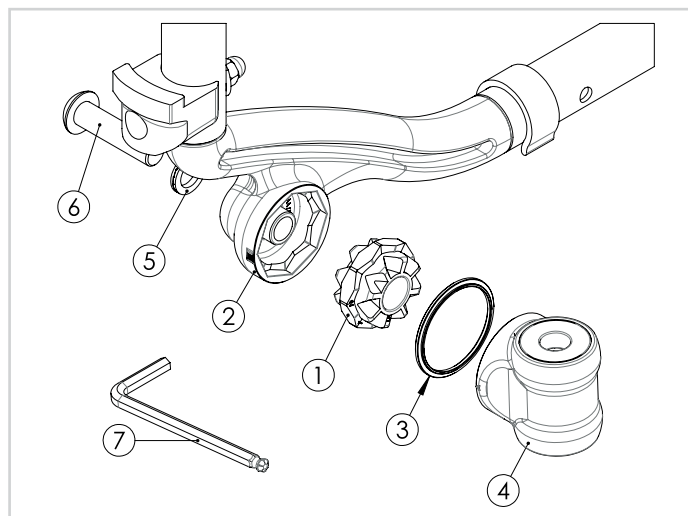


Fig. A

Selecione a posição e o lado de ajuste da arruela.

A1-lado A (pos. 1, pos. 2)

A2-lado B (pos. 3, pos. 4)

Nota 1: (consulte a tabela de configuração do fornecedor para escolher a posição de ajuste para a altura do assento)

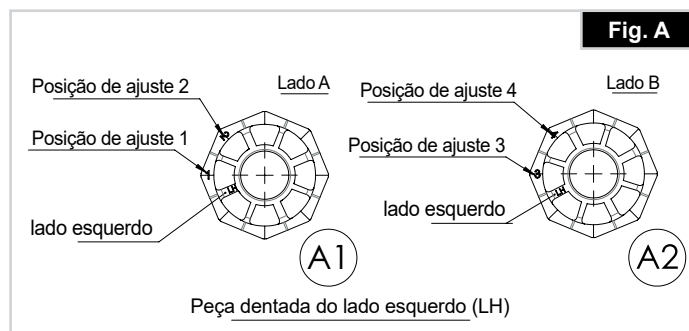


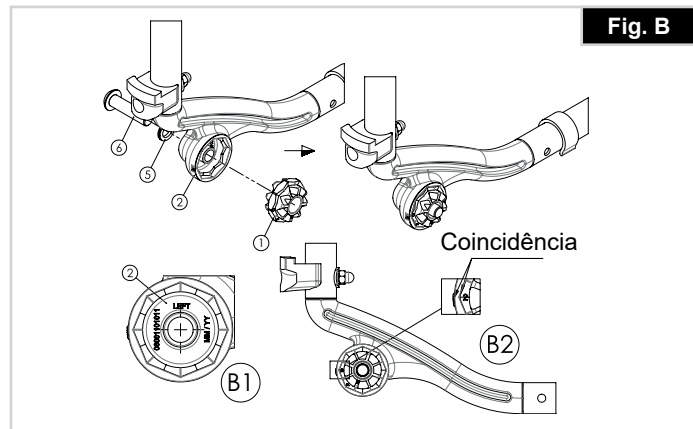
Fig. B

Insira a arruela no interior ① da roda giratória ②.

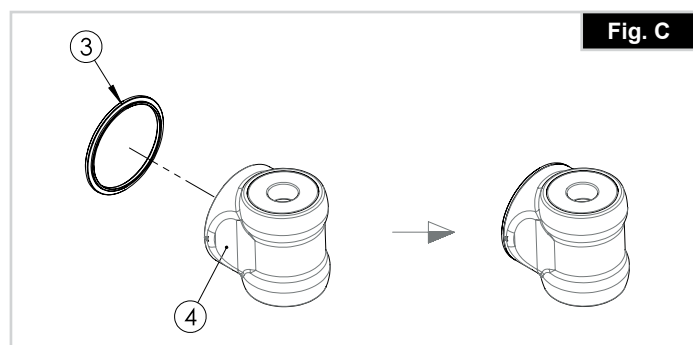
B1- o lado da arruela deve corresponder ao lado da roda giratória.

B2- o "número" de ajuste da arruela deve corresponder à referência da roda giratória.

B3- passe o parafuso através da anilha e do ⑤ orifício da roda giratória ②.

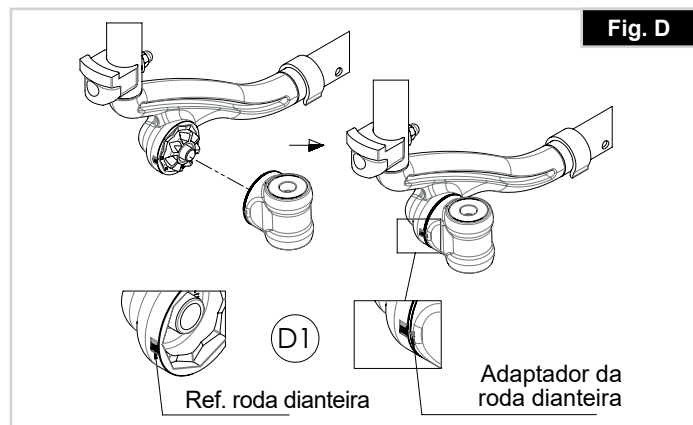
**Fig. B****Fig. C**

Insira o anel de plástico no interior ③ do adaptador da roda giratória ④

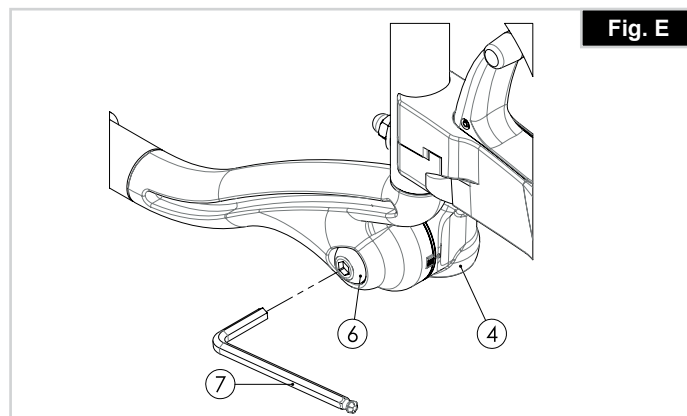
**Fig. C****Fig. D**

Una o conjunto "C" à arruela.

D1- a seta do adaptador da roda ④ giratória deve corresponder à referência da roda giratória.

**Fig. D****Fig. E**

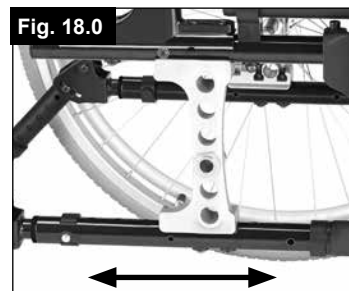
Com chave Allen comprida (n.º 6) ⑦, aperte o parafuso ⑥ com o adaptador da roda ④ giratória de acordo com o binário recomendado.

**Fig. E**

Opções - Posição do ângulo horizontal

A placa do eixo pode ser ajustada para a frente para maior capacidade de manobra ou para trás para maior estabilidade (Fig. 18.0).

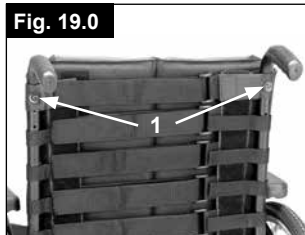
Quanto maior a base da roda, menor o risco da cadeira de rodas tomar.

**Fig. 18.0**

Opções - Encosto

Encosto de altura ajustável

A altura do encosto pode ser ajustada para 3 posições diferentes. Liberte e remova o parafuso (1) e mova o estofado para a posição pretendida. Aperte de novo os parafusos (Fig. 19.0).

**Fig. 19.0**

Meia-retração do encosto

Abrir o encosto:
Para ajustar o encosto para a vertical, empurre a alavanca para cima e para a frente até os fixar, (Fig. 20.0).

⚠ AVISO!

Mantenha os dedos e outros objectos afastados do mecanismo de retracção quando dobrar o encosto para evitar ferimentos ou danos em objectos.

**Fig. 20.0**

Dobrar o encosto:

O encosto pode ser dobrado para guardar a cadeira com mais facilidade, (Fig. 22.0).



CUIDADO!
Não use com carga porque pode partir o mecanismo.

Para dobrar o encosto, coloque-se por detrás da cadeira de rodas, prima as duas pequenas alavancas (Fig. 21.0) posicionadas em cada lado do encosto (logo acima dos apoios para os braços). Dobre o encosto para baixo.



Ângulo do encosto ajustável (0° - 30°)

Se empurrar ambas as alavancas simultaneamente (1), pode libertar o encosto e movê-lo para a posição pretendida.

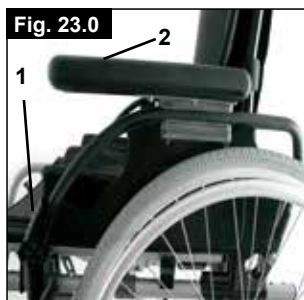
Quando libertar as duas alavancas (1), o encosto fixa-se automaticamente (Fig. 22.0).



Opções – Protecção lateral

Protecção lateral normal, retráctil, removível com almofadas para braços curtos ou longos

A protecção lateral com rebordos dianteiros redondos permite-lhe ficar encostado a uma mesa. Para dobrar o apoio de braços para cima, empurre a alavanca (1), de modo a que a protecção lateral seja libertada (Fig. 23.0 + 24.0).



A altura do apoio de braços (2) pode ser ajustada, fixando o suporte do espaçador em várias posições. Para tal, desaperte os parafusos, mova o suporte do espaçador e aperte de novo os parafusos. O comprimento do apoio de braços pode ser ajustado, desapertando os parafusos (3), e depois movendo o apoio de braços para a posição pretendida e reapertando os parafusos (Fig. 24.0).



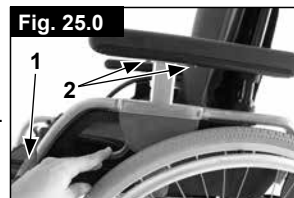
- CUIDADO!**
- Nem as protecções laterais, nem os apoios de braços devem ser utilizados para levantar ou transportar a cadeira de rodas.
 - Cuidado com os dedos quando ajustar a altura da almofada do braço.

Protecção lateral, retráctil, removível com apoios de braços curtos ou longos, altura ajustável

A altura do apoio de braços pode ser ajustada da seguinte maneira: Mova a alavanca para baixo e mova o apoio de braços para a altura pretendida.

Liberte o manipulador e prima o apoio de braços para baixo até a ouvir encaixar. Verifique sempre se as protecções laterais estão na posição correcta.

Para dobrar o apoio de braços para cima, empurre a alavanca (1), de modo a que a protecção lateral seja libertada.



O comprimento do apoio de braços pode ser ajustado, desapertando os parafusos (2), empurrando o apoio de braços para a posição pretendida e reapertando os parafusos (Fig. 25.0).



- CUIDADO!**
- Nem as protecções laterais, nem os apoios de braços devem ser utilizados para levantar ou transportar a cadeira de rodas.
 - Quando usar uma roda traseira de 24", a almofada do braço deve ser movida a um nível para cima.

Apoio de braços de altura ajustável com ferramenta

Instalação: Faça deslizar a barra do braço para a base, na estrutura da cadeira de rodas, até parar

Ajustamento da altura:

Faça deslizar o apoio do braço para fora da base.

Ajuste a posição do suporte de ajustamento elevado (1) removendo o parafuso (2) e movendo-o para a posição pretendida. Volte a instalar o parafuso e aperte-o.

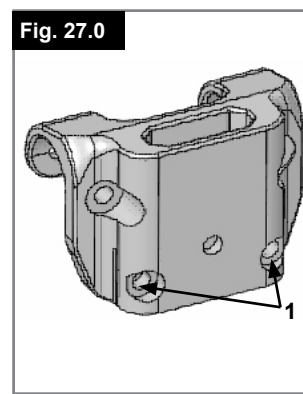
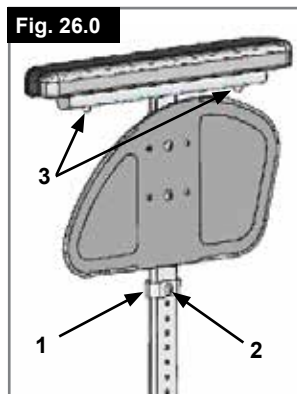
Faça deslizar a barra do apoio do braço para a base (Fig. 26.0).

Posição da almofada do braço:

A posição da almofada do braço pode ser ajustada desapertando os parafusos (3), depois movendo a almofada do braço para a posição pretendida. Aperte de novo os parafusos, (Fig. 26.0).

Ajustamento da Base do Apoio de Braço

O binário da base do apoio de braço pode ser ajustado (apertado/desapertado) com 2 parafusos (1) - (Fig. 27.0).



APOIOS DE BRAÇOS DE ALTURA AJUSTÁVEL

Para ajustar a altura, puxe a alavanca (1) e empurre o apoio de braço para a altura pretendida. Depois, certifique-se que a alavanca (1) fica de novo bloqueada em posição. A remoção do apoio de braços é feita da mesma maneira.



Para remover completamente a protecção lateral, empurre a alavanca (2). Quando instalar a protecção lateral, a alavanca (2) também deve ser puxada.

Certifique-se sempre que a protecção lateral se fixa correctamente na posição no receptor. (Fig. 28.0)

Opções - Anti-queda

Tubos Anti-Queda

Os tubos anti-queda oferecem segurança adicional para utilizadores inexperientes quando ainda estão a aprender a utilizar a cadeira de rodas. Os tubos impedem que a cadeira de rodas se incline para trás, (Fig. 29.0).

Empurrando o botão de desbloqueio (1), as rodas de segurança podem ser ajustadas para cima ou removidas. Deve existir sempre uma distância entre 30 mm e 50 mm entre a barra e o chão.

Deve dobrar as rodas de segurança para cima quando subir ou descer obstáculos (como lances) para evitar que toquem no chão. Depois, rode as rodas de segurança para baixo para a posição normal.

AVISO!

O ajustamento incorreto dos tubos anti-queda aumenta o risco da cadeira se inclinar para trás.



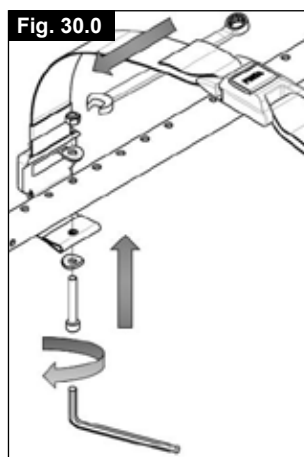
Cinto de segurança pélvico

PERIGO!

- Antes de usar a sua cadeira de rodas verifique se tem o cinto de segurança colocado.
- Deve inspecionar diariamente
- o cinto de segurança para garantir que não está obstruído ou desgastado.
- Verifique sempre se o cinto pélvico está corretamente instalado e ajustado antes de usar. Se a correia estiver demasiado folgada, o utilizador poderá escorregar e ficar asfixiado ou sofrer ferimentos graves.

O cinto de segurança está fixo à cadeira de rodas como indicado nas imagens. O cinto de segurança é constituído por 2 metades. São instaladas usando o parafuso de fixação de suspensão do assento instalado através do ilhéu do cinto. O cinto é conduzido sob a parte de trás do painel lateral. (Fig. 30.0)

Ajuste a posição do cinto de modo a que as fivelas fiquem no centro do assento. (Fig. 31.0)



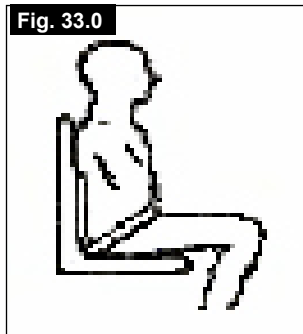
Ajuste o cinto de segurança de acordo com as necessidades do utilizador da seguinte forma:

Para reduzir o comprimento do cinto:	Para aumentar o comprimento do cinto
	
<p>Conduza o cinto através da fivela macho e ajustadores. Verifique se o cinto não está enrolado na fivela macho.</p>	<p>Conduza o cinto através dos ajustadores e da fivela macho para que o comprimento seja maior.</p>

Cinto de segurança pélvico >>>

Quando apertado, verifique o espaço entre o cinto de segurança pélvico e o utilizador. Quando corretamente ajustado deverá ser possível enfiar a palma da mão entre o cinto e o utilizador. (Fig. 32.0)

O cinto de segurança deve ser fixado de modo a que o cinto fique num ângulo de 45 graus ao longo da pélvis do utilizador. O utilizador deve estar sentado direito e afastado o quanto possível do assento durante o ajustamento. O cinto de segurança não deve deixar que o utilizador escorregue no assento. (Fig. 33.0)




Para apertar a fivela:
Empurre firmemente a fivela macho para a fivela fêmea.



Para abrir o cinto:
Prima os lados expostos da fivela macho e empurre para o centro enquanto as afasta sem forçar.

AVISO!

- Em caso de dúvida sobre a utilização e operação do cinto de segurança fale com o seu médico, fornecedor da cadeira de rodas, enfermeira ou assistente para obter ajuda.
- Se quiser reequipar um cinto de segurança, contacte o seu concessionário autorizado da Sunrise Medical.
- O cinto de segurança deve ser inspecionado diariamente para garantir que esteja corretamente ajustado e livre de obstruções ou desgaste prejudicial.
- A Sunrise Medical não recomenda o transporte de uma pessoa num veículo usando este cinto de segurança como método de fixação.

 Consulte o folheto de transporte da Sunrise Medical para mais conselhos sobre transporte.

Manutenção:

Verifique o cinto de segurança e os componentes de fixação regularmente para detetar quaisquer sinais de desgaste ou danos. Substitua se necessário.

AVISO

O cinto de segurança deve ser ajustado para acomodar o utilizador como descrito em cima. A Sunrise Medical recomenda que o comprimento e posição do cinto sejam inspecionados regularmente para reduzir o risco do utilizador reajustar inadvertidamente o cinto para um comprimento excessivo.

Opções - Suporte da Canadiana

Suporte da Canadiana

Este dispositivo permite o transporte de canadianas diretamente na cadeira de rodas. Possui uma correia de Velcro para segurar as canadianas ou outros acessórios (Fig. 34.0).



AVISO!

Nunca tente usar ou mesmo remover as canadianas ou outros acessórios enquanto conduz.

Opções - Mesa de terapia

Mesa de Terapia

A mesa é uma superfície plana adequada para muitas atividades. Antes de utilizar uma mesa, primeiro a largura do assento deve ser ajustada por um fornecedor autorizado. O utilizador deve estar sentado na cadeira de rodas durante este ajustamento (Fig. 35.0).

Carga Máxima: 40 kg



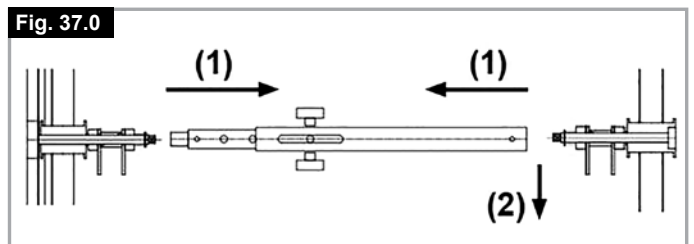
Opções - Operação com uma mão

Operação com uma mão (Fig. 36.0 - 37.0)

Para empurrar a cadeira diretamente para a frente, deve usar ambos os aros manuais das rodas. Para dobrar a cadeira de rodas, desligue a barra telescópica, empurrando a lingueta de desbloqueio para dentro (1). Para retirar as rodas, puxe o botão de desbloqueio 2.

AVISO!

Certifique-se sempre de que as ligações estão corretamente ajustadas para evitar lesões.



Opções - Barra Estabilizadora

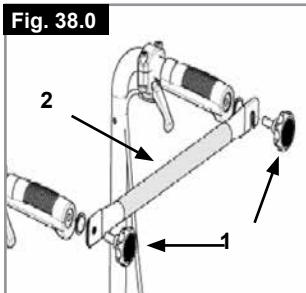
BARRA ESTABILIZADORA DO RECLINADOR

Abra o botão em estrela (1) e mova a barra estabilizadora (2) para fora do caminho antes de dobrar a cadeira.

Para preparar de novo a cadeira, inverta o procedimento anterior, (Fig. 38.0).

 **PERIGO!**

- Antes de usar a cadeira de rodas, assegure-se que a barra estabilizadora e os botões em estrela estão em posição e estão apertados correctamente.
- Nunca use a barra estabilizadora para levantar a cadeira!



Pneus e Montagem

Pneus e Montagem

Os pneus pneumáticos são instalados por norma na fábrica.

Se usar rodas pneumáticas, confirme se mantém a pressão correcta dos pneus, porque isto pode afectar o desempenho da cadeira de rodas. Se a pressão for demasiado baixa, a resistência de movimento aumenta, sendo necessário mais esforço para que a cadeira se mova para a frente. Pressão demasiado baixa também afeta negativamente a capacidade de manobra. Se a pressão for demasiado alta, o pneu pode rebentar. A pressão correcta para um determinado pneu está impressa na superfície do próprio pneu.

Os pneus podem ser montados do mesmo modo que um pneu normal de bicicleta. Antes de instalar um novo tubo interno, deve sempre certificar-se que a base da jante e o interior do pneu não contém objetos estranhos. Verifique a pressão depois de montar ou reparar um pneu. É vital para a sua segurança e para o desempenho da cadeira de rodas que a pressão de ar seja mantida e que os pneus estejam em boas condições.

Opções - Encostos de cabeça

ENCOSTOS DE CABEÇA

O encosto de cabeça pode ser subido e movido para a frente e para trás. Para tal, basta desapertar o parafuso, ajustar o encosto da cabeça para a posição pretendida e apertar o parafuso (consulte a secção sobre a força de torção) (Fig. 39.0).



Opções - Rodas de trânsito

RODAS DE TRÂNSITO

Devem ser usadas rodas de trânsito sempre que a sua cadeira de rodas for demasiado larga e se as rodas traseiras forem utilizadas (por exemplo, aviões, autocarros, etc.). Depois de remover as **rodas de trânsito** com a ajuda dos eixos de extração rápida, as rodas de viagem podem ser imediatamente usadas para continuar a mover-se. As **rodas de trânsito** estão montadas de modo a ficarem aprox. 3 centímetros do chão quando não usadas. Assim, não dificultam o movimento quando conduzir, transportar ou inclinar a cadeira para ultrapassar obstáculos (por exemplo, lances, degraus, etc.). (Fig. 40.0).

 **CUIDADO:**

A sua cadeira de rodas não pode usar os dispositivos de bloqueio das rodas quando usar as rodas de trânsito.














Placa de nome












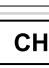





Placa de nome

A placa de nome encontra-se na estrutura do tubo em T ou no tubo da estrutura transversal. A placa de nome indica a designação exata do modelo e outras especificações técnicas. Apresente a seguinte informação sempre que encomendar peças de substituição ou uma reclamação:

- Número de Série
- Número da encomenda
- Mês/Ano

EXEMPLO

	 Sunrise Medical GmbH Kahlbachring 2-4 D-69254 Malsch / Germany	 2021-04-09			
TYPE:	Rollstuhl	SN 203211733451939			
Style X Ultra	I				
 150 kg	 max 10°	 400 mm	 435 mm		
					

TYPE:	Nome do produto/Número SKU.
 max X°	A inclinação máxima segura com tubos antiqueda depende das configurações da cadeira de rodas, postura e capacidades físicas do utilizador.
 XXX mm	Largura do assento.
 XXX mm	Profundidade (Máximo).
 XXX kg	Carga máxima.
	Símbolo UKCA.
	Símbolo CE.
	Consulte as instruções de utilização
 XXXX-XX-XX	Data de fabrico.
	Número de Série.
	Este símbolo significa Dispositivo Médico.
	Morada do fabricante
	Testada com contra colisões de acordo com: ISO 7176-19:2008.
	Morada do importador
 	Responsável no Reino Unido
 	Morada do representante na Suíça

Manutenção e Cuidado

INSPEÇÃO DE SEGURANÇA:

Como utilizador, será o primeiro a detetar possíveis defeitos. Assim, recomendamos que, antes de cada utilização, inspecione se:

a pressão dos pneus está correta.
os travões funcionam corretamente.

Todas as peças removíveis estão apertadas em segurança (por exemplo, apoios de braços, hanger do apoio de pés, eixos de extração rápida...).

Se existir qualquer dano/defeito/ contacte o seu agente autorizado.

MANUTENÇÃO:

Inspeccione a pressão dos pneus periodicamente.

Verifique periodicamente se os pneus estão desgastados e danificados, pelo menos uma vez por ano. Mude os pneus assim que detetar qualquer tipo de dano ou desgaste.

Verifique se a correia do assento e traseira está desgastada e danificada, pelo menos de três em três meses. Mude estas peças assim que detetar qualquer tipo de dano ou desgaste.

Verifique periodicamente se os componentes da estrutura e do encosto estão desgastados e danificados, pelo menos uma vez por ano. Mude estas peças assim que detetar qualquer tipo de dano ou desgaste.

Verifique periodicamente se os travões estão desgastados e danificados, pelo menos uma vez por ano. Verifique se estão a funcionar corretamente e se são fáceis de usar. Mude os travões assim que detetar qualquer tipo de dano ou desgaste.

Verifique periodicamente se todos os parafusos estão apertados (ver a seção sobre força de torção), pelo menos uma vez por ano. Todos os parafusos vitais para usar a cadeira de rodas em segurança têm porcas de segurança. As porcas de segurança devem ser usadas apenas uma vez e substituídas depois de usadas.

NOTA: Se forem apresentadas definições das forças de torção, recomendamos vivamente a usar um dispositivo de medição do binário, para confirmar se apertou com a força correta.

Use apenas produtos de limpeza domésticos suaves ao limpar a cadeira de rodas. Use apenas sabão e água quando limpar o estofado do assento e o cinto de segurança.

Consoante a frequência e tipo de utilização, recomendamos que leve a sua cadeira de rodas a um agente autorizado, pelo menos uma vez por ano, para que seja inspecionada por pessoal qualificado.

⚠ CUIDADO!

Areia, sal e água do mar podem danificar os rolamentos das rodas dianteiras e traseiras. Limpe e seque a cadeira de rodas cuidadosamente, depois de ter estado exposta a estes elementos.

Medidas de higiene quando reutilizar:

Antes de utilizar de novo a cadeira de rodas, deve prepará-la cuidadosamente. Todas as superfícies em contato com o utilizador devem ser limpas com um spray de desinfecção.

Para tal, deve usar um desinfetante como autorizado/recomendado no seu país, para desinfetar rapidamente, com produtos à base de álcool, os produtos e dispositivos médicos que devem ser desinfetados rapidamente.

Tenha em conta as instruções do fabricante em relação ao desinfetante que vai usar.

Em geral, não é possível garantir a desinfecção completa das bainhas. Deste modo, e de acordo com as leis locais de proteção contra infeções, recomendamos que descarte da cadeira de rodas e correias traseiras com agentes ativos para evitar a contaminação com microbactérias.



ISO 7010-M002

É necessário ler o manual/livro de instruções! (Ícone azul)

Resolução de Problemas

A cadeira de rodas guina para um dos lados

- Verifique a pressão dos pneus (apenas pneumáticos)
- Verifique se a roda vira facilmente (rolamentos, eixo).
- Inspeccione se os ângulos da roda giratória estão ajustados consistentemente e que o contacto com o chão é correto
- Certifique-se se os rolamentos da forqueta da roda giratória rodam sem problemas

As rodas giratórias começam a vibrar

- Verifique o ângulo da roda giratória
- Verifique se todos os parafusos estão apertados; aperte se necessário (Ver a seção sobre força de torção)
- Verifique se ambas as rodas giratórias estão em contacto com o chão

A estrutura de tubos não encaixa na posição na tela do assento

- A cadeira ainda é nova, ou seja, o estofado do assento ou do encosto ainda está rígido. Isto melhora com o tempo.

É difícil dobrar a cadeira

- O estofado do encosto ajustável é demasiado rígido. Solte-o de acordo.

A cadeira de rodas chia e vibra

- Verifique se todos os parafusos estão apertados; aperte se necessário (Ver a seção sobre força de torção)
- Aplique uma pequena quantidade de óleo lubrificante nas zonas onde as peças móveis entram em contato

A cadeira de rodas move-se irregularmente

- Verifique o ângulo das rodas giratórias.
- Verifique se os pneus estão desgastados ou danificados.
- Verifique se as rodas traseiras estão ajustadas ou fixadas de maneira diferente.

Eliminação / Reciclagem de materiais

NOTA: Se receber a cadeira de rodas sem encargos, ela não lhe pertence. Se já não for necessário respeitar quaisquer instruções emitidas pela organização que forneceu a cadeira de rodas para que a possa devolver.

A seguinte informação descreve os materiais usados na cadeira de rodas em relação à eliminação ou reciclagem da cadeira de rodas e da respetiva caixa. Normas específicas de eliminação de desperdícios ou de reciclagem podem ser aplicáveis a nível local e estas devem ser tidas em conta quando fizer os preparativos para eliminação. (Isto pode incluir a limpeza ou descontaminação da cadeira de rodas antes de eliminar).

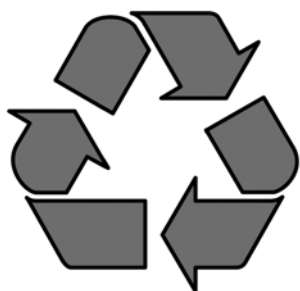
Alumínio: Estruturas laterais, apoios de braços, estruturas, apoios de pernas.

Plástico: Manipulos de mão, forquetas, tampas, rodas giratórias, apoios de pés, almofadas dos braços e rodas/pneus de 12", rodas, proteções laterais.

Embalagem: Saco de polietileno de baixa densidade, caixa de cartão.

Estofado: Poliéster tecido com cobertura PVC e espuma modificação de combustão expandida.

A eliminação ou reciclagem deve ser feita através de um fornecedor autorizado ou local adequado próprio. Alternativamente, a sua cadeira de rodas pode ser devolvida ao fornecedor para eliminação.



Dados técnicos

Especificações técnicas

Largura geral:

Com as rodas normais, incluindo aros LA +180 mm
Com as rodas de travão de tambor, incluindo aros LA + 200 mm

Dimensões quando fechada:

- com rodas traseiras aprox. 275 mm
- sem rodas traseiras aprox. 220 mm

Peso em kg:

- Transporte (sem apoios para os pés, rodas, proteção lateral) 8,2 kg
- Apoio de pés (unidade) 0,75 kg
- Proteção lateral (unidade) 1,3 kg
- Rodas (unidade) 1,75 kg

Peso Máximo do Utilizador:

- Breezy Style X carga até 125 kg
- Breezy Style X Ultra com uma carga máxima de 150kg (136 kg com encaixes para o transporte em veículos "Crash-tested")

Acordo com EN12183: 2014 todas as peças listadas (assento - estofado do encosto, painel lateral, almofada do braço...) são à prova de fogo de acordo com EN 1021 Part 1/2

O declive seguro dinâmico depende da configuração da cadeira, das capacidades do utilizador e do estilo de condução. Uma vez que as capacidades do utilizador e estilo de condução não podem ser pré-determinados então o desnivelamento máximo seguro não pode ser pré-determinado. Assim, deve ser determinado pelo utilizador com a ajuda de um assistente para evitar cair. Aconselhamos vivamente a instalação de dispositivos anti-queda.

A cadeira de rodas é compatível com as seguintes normas:

- Requisitos e métodos de teste para forças estáticas, de impacto e de fadiga (ISO 7176-8)
- Requisitos para resistência de acordo com ISO 7176-16 (EN 1021-1/2)



Sunrise Medical S.r.l.
Via Riva, 20 – Montale
29122 Piacenza
Italia
Tel.: +39 0523 573111
Fax: +39 0523 570060
www.SunriseMedical.it

Sunrise Medical AG
Erlenauweg 17
CH-3110 Münsingen
Schweiz/Suisse/Svizzera
Fon +41 (0)31 958 3838
Fax +41 (0)31 958 3848
www.SunriseMedical.ch

Sunrise Medical AS
Delitoppen 3
1540 Vestby
Norge
Telefon: +47 66 96 38 00
post@sunrisemedical.no
www.SunriseMedical.no

Sunrise Medical AB
Neogatan 5
431 53 Mölndal
Sweden
Tel.: +46 (0)31 748 37 00
post@sunrisemedical.se
www.SunriseMedical.se

MEDICCO s.r.o.
H – Park, Heršpická 1013/11d,
639 00 Brno
Czech Republic
Tel.: (+420) 547 250 955
Fax: (+420) 547 250 956
www.medicco.cz
info@medicco.cz
Bezplatná linka 800 900 809

Sunrise Medical Aps
Mårkærvej 5-9
2630 Taastrup
Denmark
+45 70 22 43 49
info@sunrisemedical.dk
Sunrisemedical.dk

Sunrise Medical Australia
11 Daniel Street
Wetherill Park NSW 2164
Australia
Ph: +61 2 9678 6600
E: enquiries@sunrisemedical.com.au
www.SunriseMedical.com.au

Sunrise Medical
North American Headquarters
2842 Business Park Avenue
Fresno, CA, 93727, USA
(800) 333-4000
(800) 300-7502
www.SunriseMedical.com



Sunrise Medical GmbH
Kahlbachring 2-4
69254 Malsch/Heidelberg
Deutschland
Tel.: +49 (0) 7253/980-0
Fax: +49 (0) 7253/980-222
www.SunriseMedical.de

Sunrise Medical
Thorns Road
Brierley Hill
West Midlands
DY5 2LD
England
Phone: 0845 605 66 88
Fax: 0845 605 66 89
www.SunriseMedical.co.uk

Sunrise Medical S.L.
Polígono Bakiola, 41
48498 Arrankudiaga – Vizcaya
España
Tel.: +34 (0) 902142434
Fax: +34 (0) 946481575
www.SunriseMedical.es

Sunrise Medical Poland
Sp. z o.o.
ul. Elektronowa 6,
94-103 Łódź
Polska
Telefon: + 48 42 275 83 38
Fax: + 48 42 209 35 23
E-mail: pl@sunrisemedical.de
www.Sunrise-Medical.pl

Sunrise Medical HCM B.V.
Vossenbeemd 104
5705 CL Helmond
The Netherlands
T: +31 (0)492 593 888
E: customerservice@sunrisemedical.nl
www.SunriseMedical.nl
www.SunriseMedical.eu
(International)

Sunrise Medical SAS
ZAC de la Vrillonnerie
17 Rue Michaël Faraday
37170 Chambray-Lès-Tours
Tel : +33 (0) 2 47 55 44 00
Email: info@sunrisemedical.fr
www.sunrisemedical.fr

